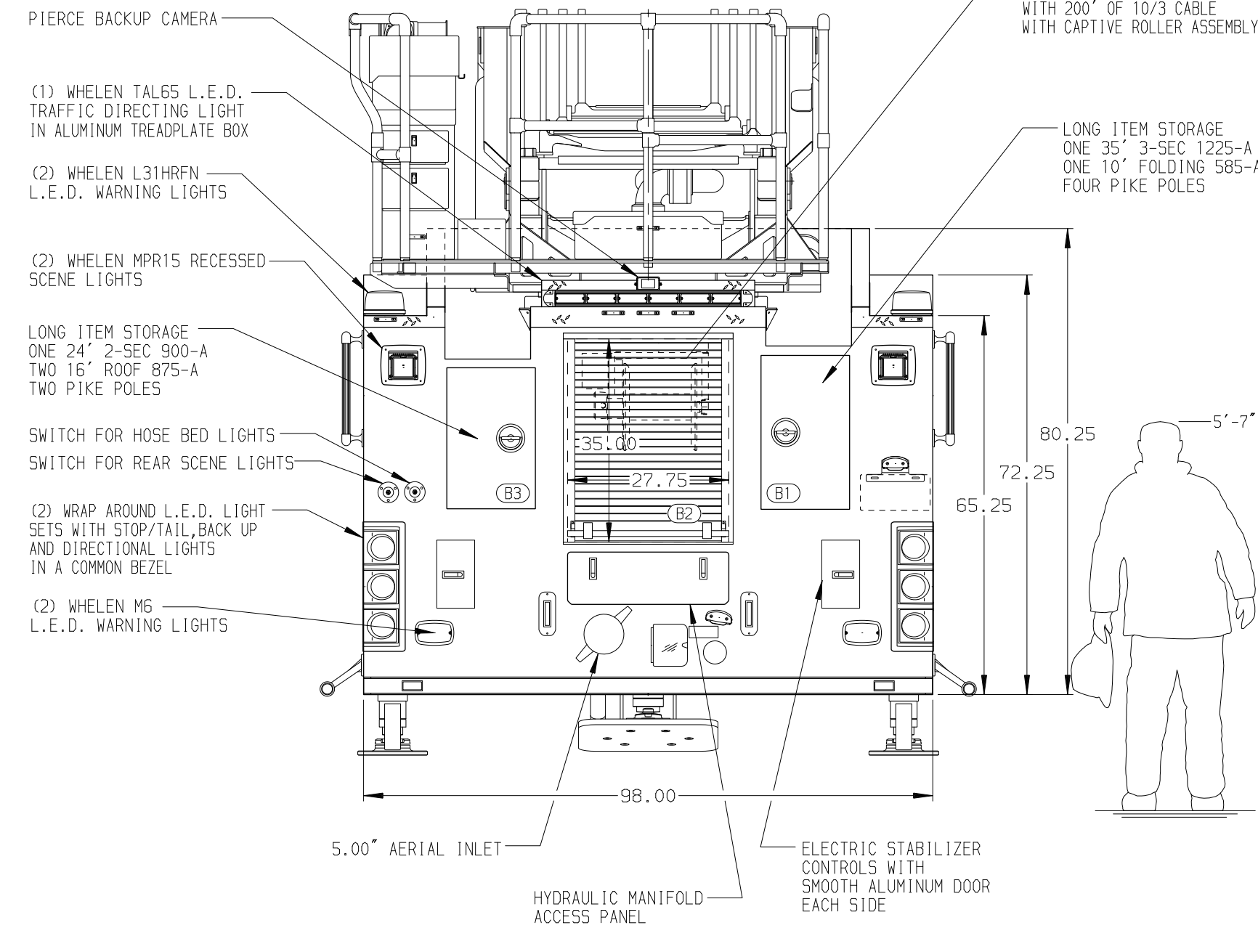


<b>BODY</b> 107' ASL Aluminum Body <b>COMPT, LEFT SIDE FRONT</b> Full Height RollUp Forward <b>COMPT, LEFT SIDE REAR</b> Full Height RollUp Rearward <b>COMPT, RIGHT SIDE FRONT</b> Full Height RollUp Forward <b>COMPT, RIGHT SIDE REAR</b> Full Height RollUp Rearward	<b>WATER TANK</b> 480 Gallon Poly Water Tank <b>Foam System</b> Husky 3 Single Agent Foam System <b>Foam Cell</b> 20 Gallon Foam Cell, Reduced Water
---	---



<b>CHASSIS</b> Enforcer Chassis <b>ENGINE</b> 450 HP Cummins L9 Engine	<b>CAB</b> 7000 Enforcer Cab <b>BUMPER</b> 19\"/>	<b>AXLE, FRONT, CUSTOM</b> 22,800 Lb TAK-4 Axle <b>AXLE, REAR</b> 33,500 Lb Meritor Axle	<b>TRANSMISSION</b> Allison 5th Gen, 3000 EV5 P	<b>PUMPHOUSE</b> 52\"/>	<b>CROSSLAYS, 1.50"</b> (2) 1.50\"/>	<b>SPEEDLAYS</b> Speedlays Not Required <b>GENERATOR</b> Generator Not Required	<b>SAFETY</b> Side Roll and Frontal Impact Protection	<b>CUSTOMER APPROVAL</b> APPROVED BY: _____ DATE: _____		JOB NO. 32963 SCALE 1:24 DATE _____
<b>NOTE</b> DIMENSIONS SHOWN ARE APPROXIMATE AND ARE SUBJECT TO MINOR DEVIATIONS AS MAY OCCUR OR BE NECESSARY IN CONSTRUCTION. MINOR DETAILS NOT SHOWN.	1. ONE 1.50\"/>								TITLE 107' ASCENDANT AERIAL LADDER AND BODY ASSEMBLY FOR PIERCE FIELD UNIT APPLETON, WI DWG NO. 32963AD	DRAWN BY LWE 20AUG18 CHECKED BY THS 21AUG18 SHEET SIZE D SHEET NO. 1 OF 1