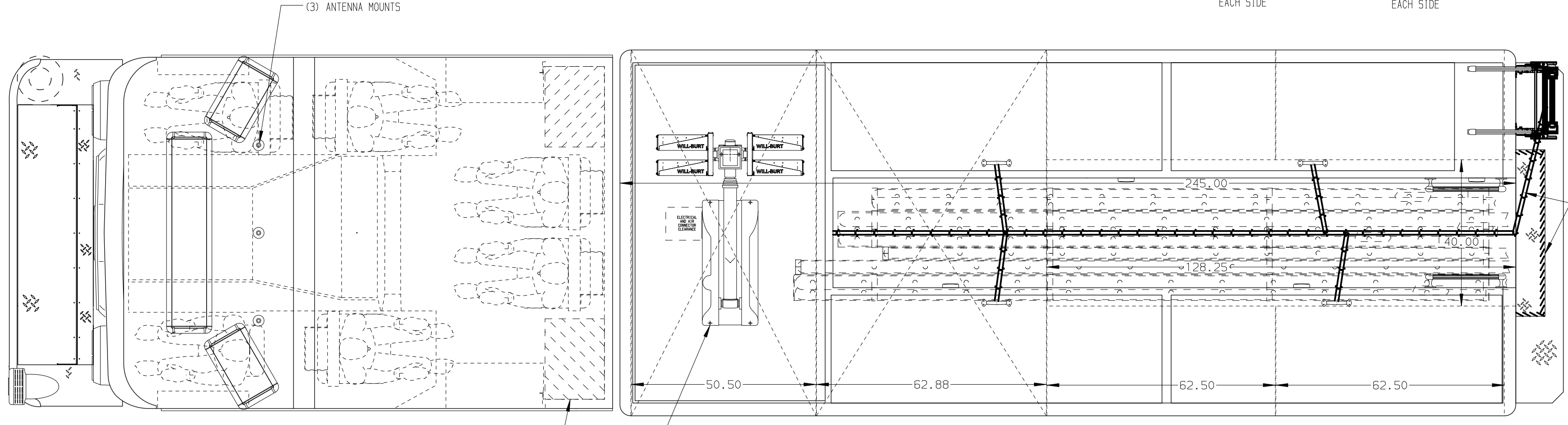
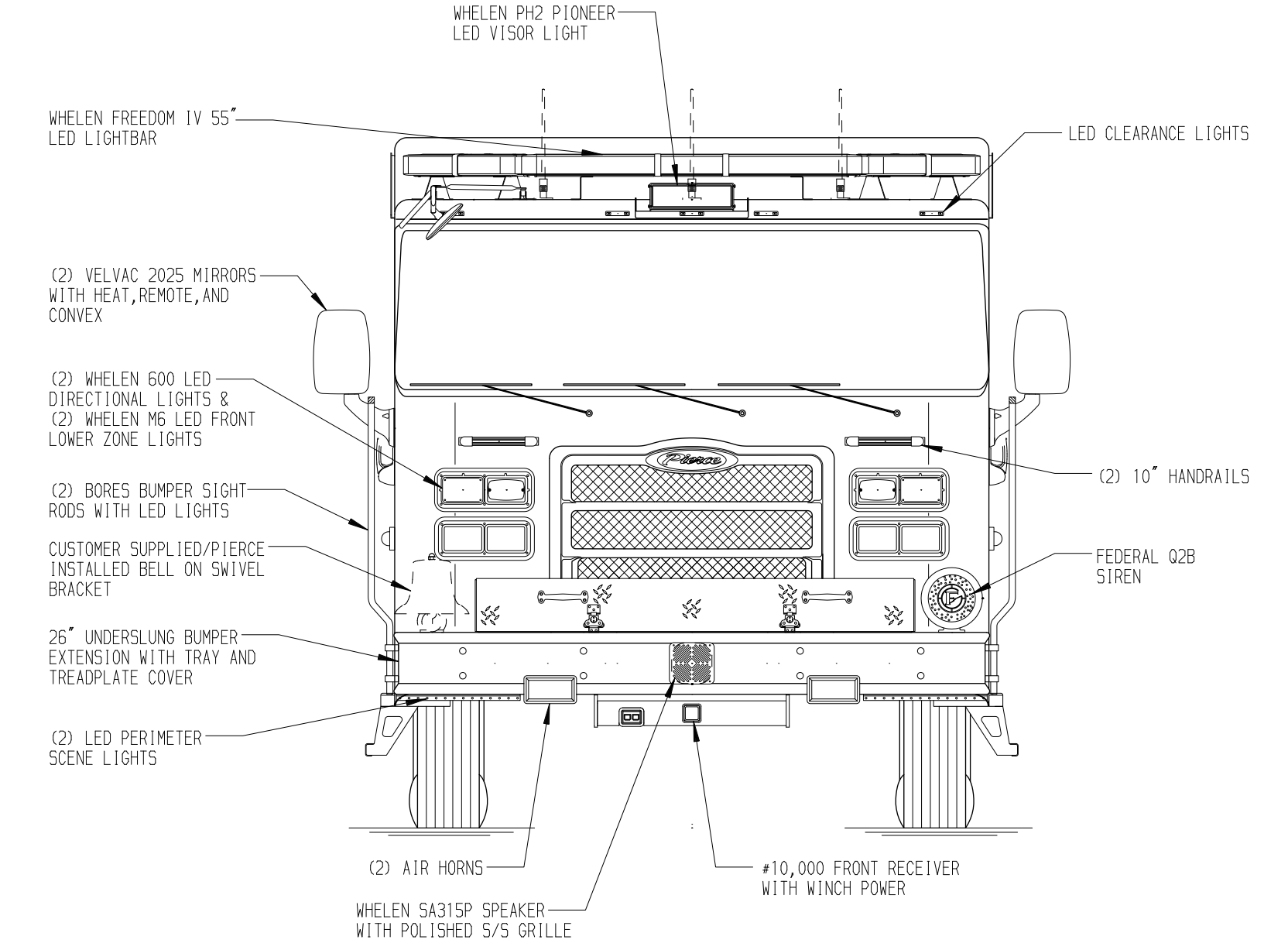
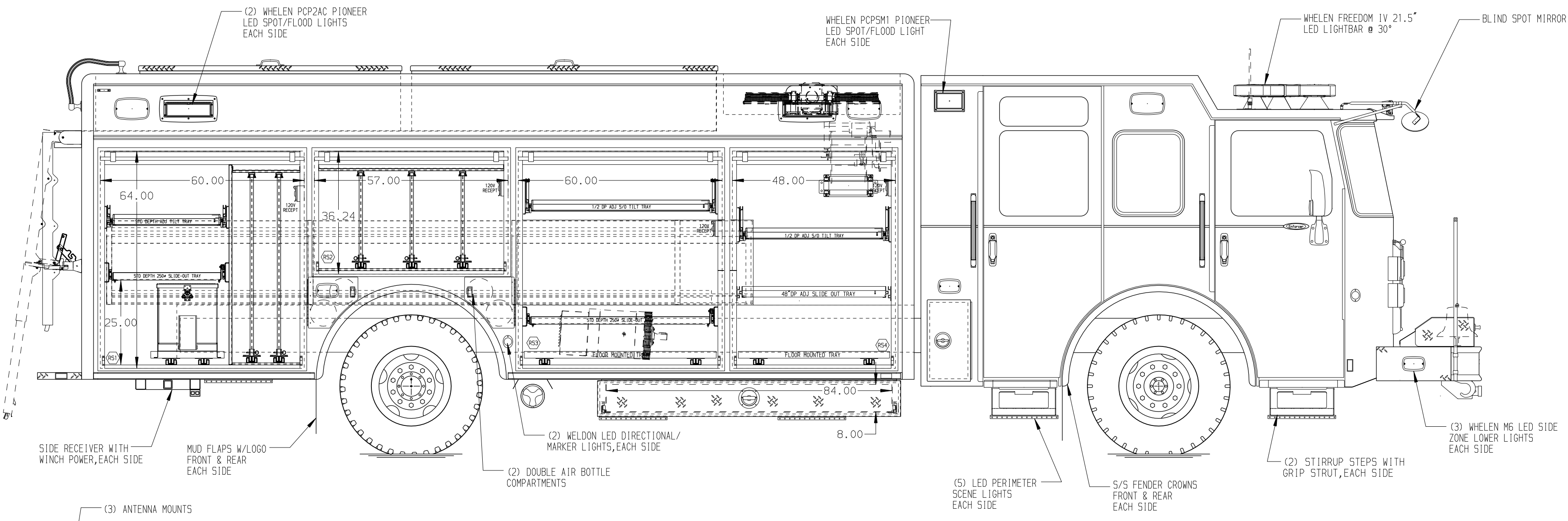
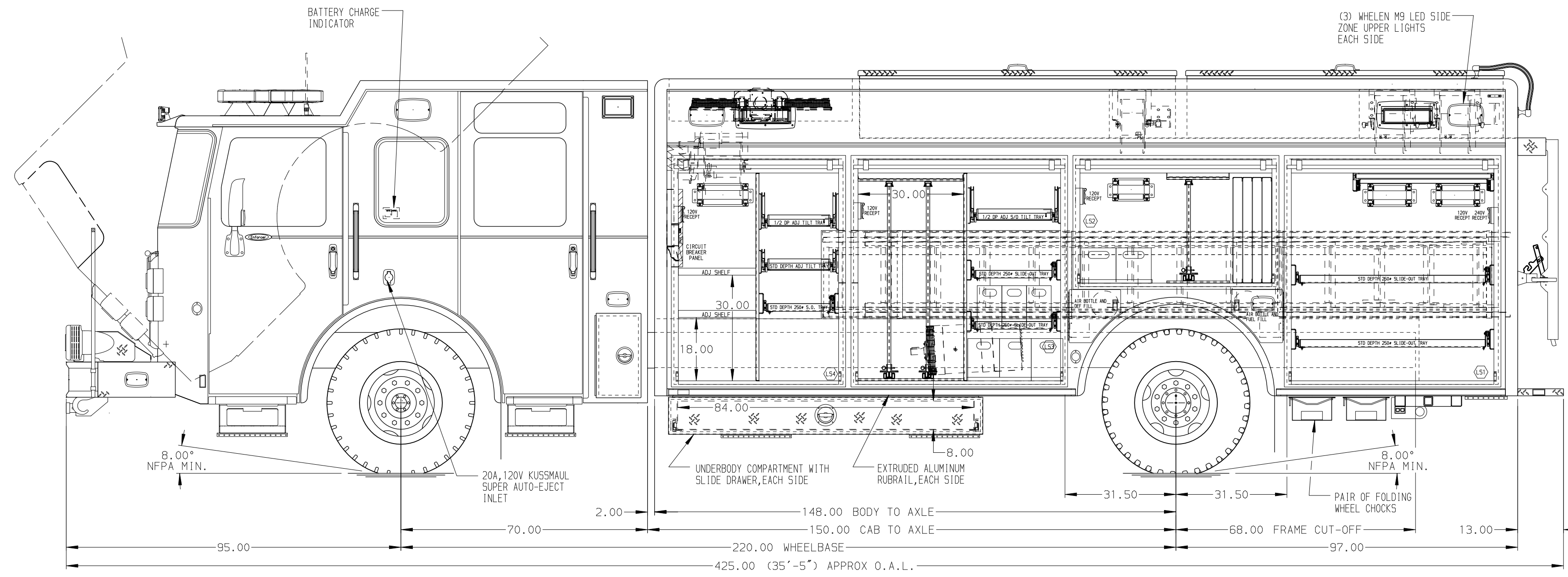
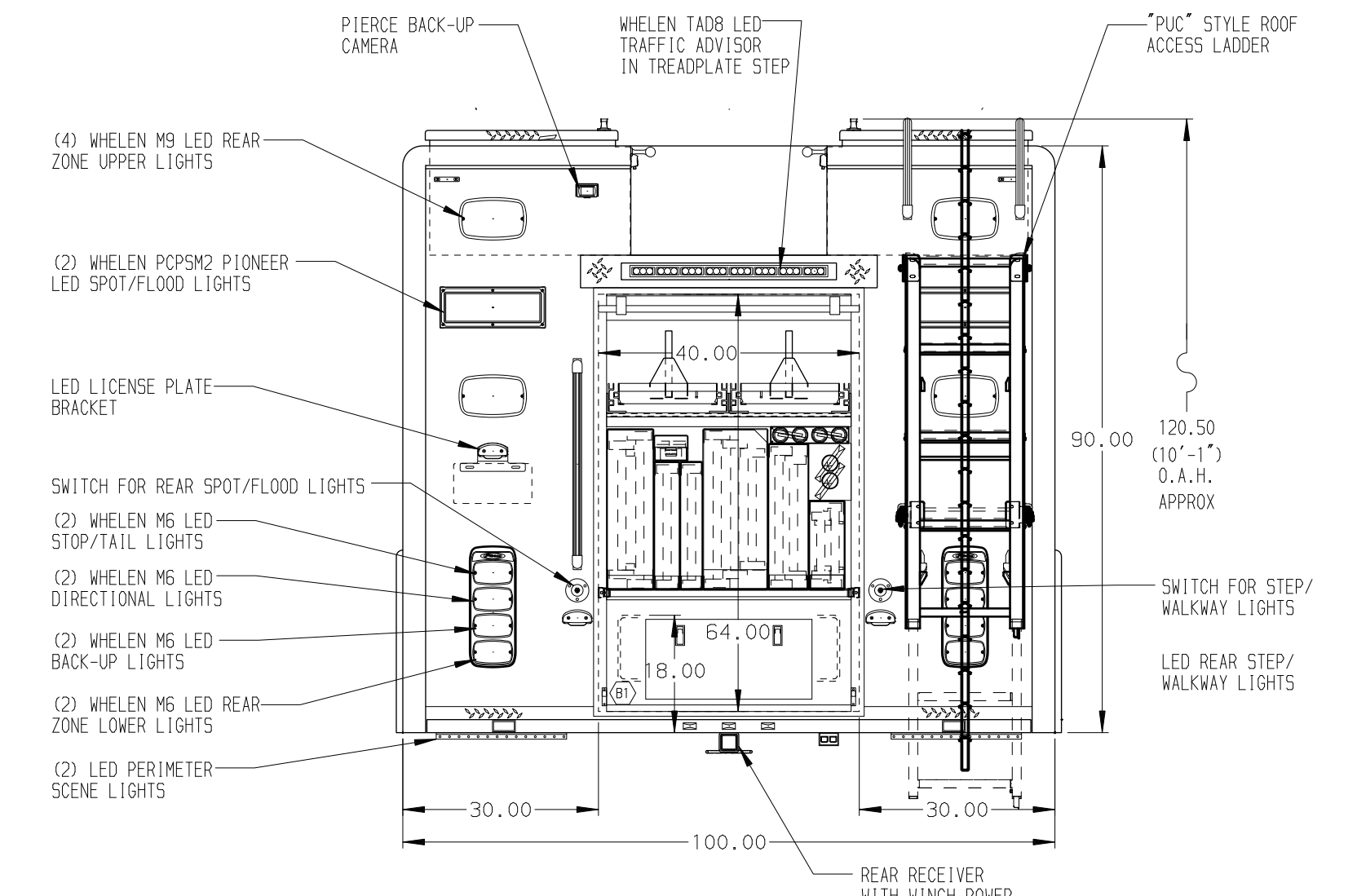


- RIGHT SIDE COMPARTMENTS CONTAIN THE FOLLOWING:**
- COMPARTMENT RS1 CONTAINS:**
- (1) VERTICAL COMPARTMENT DIVIDER
 - (1) STD DEPTH ADJ SLIDE OUT TRAY
 - (1) STD DEPTH ADJ SLIDE OUT/TILT TRAY
 - (2) STD DEPTH ADJ SLIDE OUT TOOLBOARDS
 - (1) SLIDE OUT OIL DRY HOPPER
 - (1) 15/20A, 120V 4-PLACE RECEPTACLE
- COMPARTMENT RS2 CONTAINS:**
- (3) STD DEPTH ADJ SLIDE OUT TOOLBOARDS
 - (1) 15/20A, 120V 4-PLACE RECEPTACLE
- COMPARTMENT RS3 CONTAINS:**
- (1) STD DEPTH ADJ SLIDE OUT TRAY
 - (1) 1/2 DEPTH ADJ SLIDE OUT/TILT TRAY
 - (3) FLOOR MOUNTED TRAY
 - (1) 15/20A, 120V 4-PLACE RECEPTACLE
- COMPARTMENT RS4 CONTAINS:**
- (1) CAB LIFT CONTROLLER
 - (1) 48" DP ADJ SLIDE OUT TRAY
 - (1) 1/2 DEPTH ADJ SLIDE OUT/TILT TRAY
 - (1) FLOOR MOUNTED TRAY
 - (1) ELECTRIC CORD REEL WITH 200' OF 10/3 CORD
 - (1) 15/20A, 120V 4-PLACE RECEPTACLE



- REAR COMPARTMENT CONTAINS THE FOLLOWING:**
- COMPARTMENT B1 CONTAINS:**
- (2) 122" DP ADJ SLIDE OUT TRAYS WITH TOOLBOARDS
 - (1) HORIZONTAL FLOOR EXTENSION
 - (1) REAR RACK TO CONTAIN:
 - (1) 35" 3-SECTION LADDER (CTF)
 - (1) 28" 2-SECTION LADDER
 - (1) 24" 2-SECTION LADDER
 - (1) 16" ROOF LADDER
 - (1) 14" ROOF LADDER
 - (1) 10" FOLDING LADDER
 - (6) PIKE POLES
 - (1) 14" FRESHNO LADDER
 - (1) ROLLER REAR OF LADDER STORAGE

- LEFT SIDE COMPARTMENTS CONTAIN THE FOLLOWING:**
- COMPARTMENT LS1 CONTAINS:**
- (2) STD DEPTH ADJ SLIDE OUT TRAYS
 - (1) 15/20A, 120V 4-PLACE RECEPTACLE
 - (1) 30A, 240V T.L. RECEPTACLE
 - (2) HYDRAULIC REELS WITH 100' OF HOSE EACH
- COMPARTMENT LS2 CONTAINS:**
- (1) RACK FOR 4 AIR BAGS
 - (1) STD DEPTH ADJ SLIDE OUT TOOLBOARD
 - (2) POLY TOOL BOXES
 - (1) 15/20A, 120V 4-PLACE RECEPTACLE
 - (1) LOW PRESSURE AIR REEL W/150' OF HOSE
- COMPARTMENT LS3 CONTAINS:**
- (1) VERTICAL COMPARTMENT DIVIDER
 - (2) STD DEPTH ADJ SLIDE OUT TRAYS
 - (1) 1/2 DEPTH ADJ SLIDE OUT/TILT TRAY
 - (2) STD DEPTH ADJ SLIDE OUT TOOLBOARDS
 - (6) POLY TOOL BOXES
 - (1) 15/20A, 120V 4-PLACE RECEPTACLE
- COMPARTMENT LS4 CONTAINS:**
- (1) 10TA 75A BATTERY CHARGER
 - (1) VERTICAL COMPARTMENT DIVIDER
 - (2) STANDARD DEPTH ADJ SHELVES
 - (1) STD DEPTH ADJ SLIDE OUT TRAY
 - (1) STD DEPTH ADJ SLIDE OUT/TILT TRAY
 - (1) 1/2 DEPTH ADJ SLIDE OUT/TILT TRAY
 - (1) CIRCUIT BREAKER PANEL
 - (1) GENERATOR METER PANEL
 - (1) NIGHTSCAN CONTROLLER
 - (1) ELECTRIC CORD REEL WITH 200' OF 10/3 CORD
 - (1) 15/20A, 120V 4-PLACE RECEPTACLE



NOTE
DIMENSIONS SHOWN ARE APPROXIMATE AND ARE SUBJECT TO MINOR DEVIATIONS AS MAY OCCUR OR BE NECESSARY IN CONSTRUCTION. MINOR DETAILS NOT SHOWN.

- NOTES:**
- ONAN 25KW SINGLE PHASE PTO DRIVEN GENERATOR LOCATED BETWEEN THE FRAME RAILS
 - ONSPOT AUTOMATIC TIRE CHAINS
 - WARN #10,000 PORTABLE WINCH
 - POLISHED S/S SCUFFPLATES ON CAB AND CREW CAB DOOR JAMBS
 - FLOOR IN CAB AND CREW CAB TO BE PADDED RUBBER
 - PULL STRAPS ON ALL BODY ROLL-UP DOORS
 - PIERCE LED LIGHT STRIPS IN ALL BODY AND HATCH COMPARTMENTS
 - 15/20A, 120V 4-PLACE RECEPTACLE LOCATED ON THE DRIVER'S SIDE OF THE ENGINE TUNNEL

(SIDE ROLL AND FRONTAL IMPACT PROTECTION)

CLEAR DOOR WIDTH KEY		CHASSIS DATA	TITLE
AMDR ROLL UP DOORS:	-2 1/4"	19FEB19	DHE CDK
CORTITE ROLL UP DOORS:	-2 1/2"	11JAN19	DHE CDK
PIERCE DOUBLE LAP DOORS:	-4 1/4"	18OCT18	DHE CDK
PIERCE LIFT-UP LAP DOORS:	-1 1/2"		
(EX: 60" F-F - 2 1/4" = 57 3/4" CLEAR)		REV	DATE
(F-F) = FRAME TO FRAME		BY	CH

Pierce MANUFACTURING INC.		JOB NO.	32965
		SCALE	DATE
		1:24	
		DRAWN BY	050CT18
		DHE	
		CHECKED BY	050CT18
		CDK	
		FOR	WILLIAM KRUG
		FORT HUNTER FIRE DEPARTMENT	
		FORT HUNTER	
		DWG NO.	32965AD
		SHEET SIZE	SHEET NO.
		D	1 OF 1