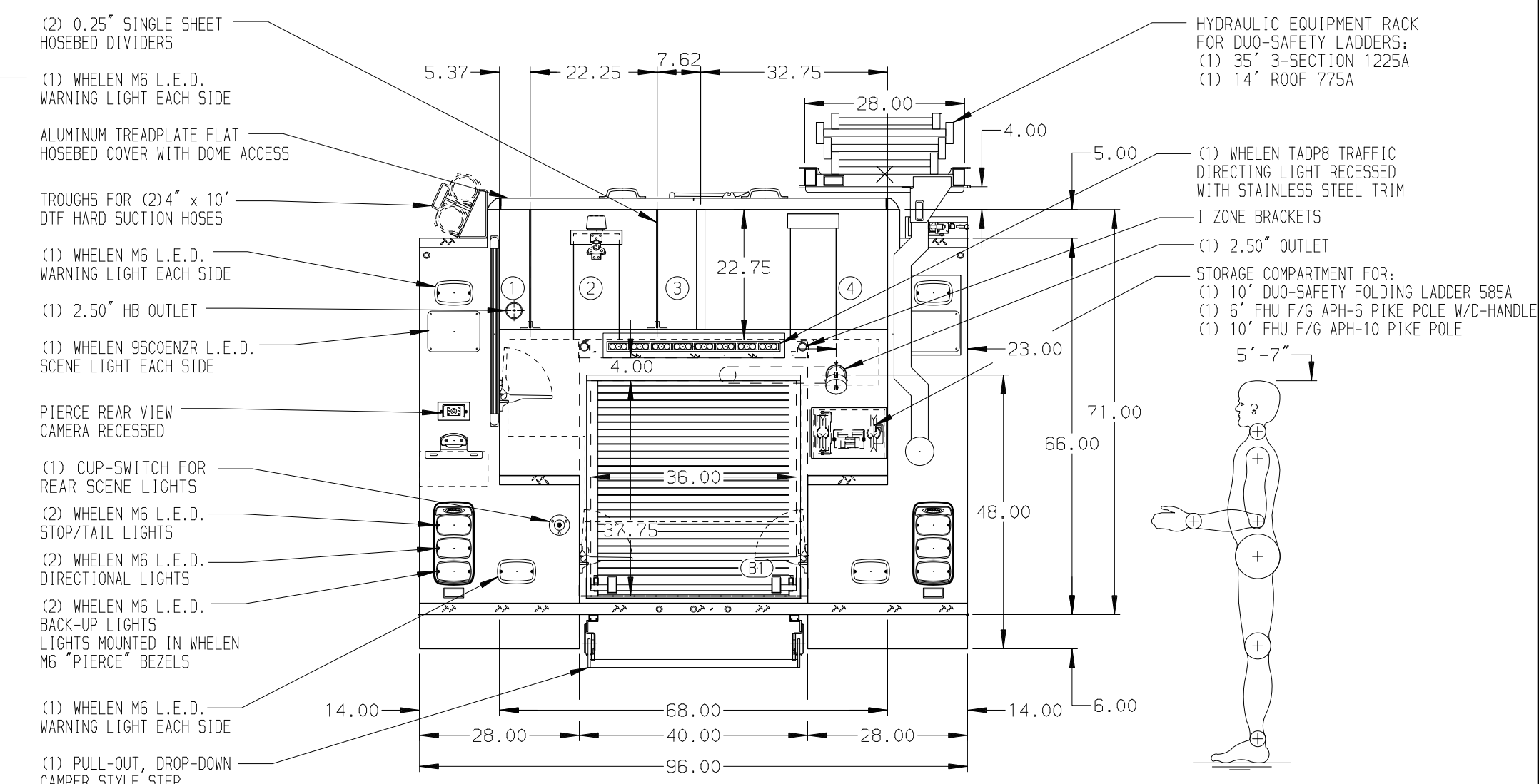
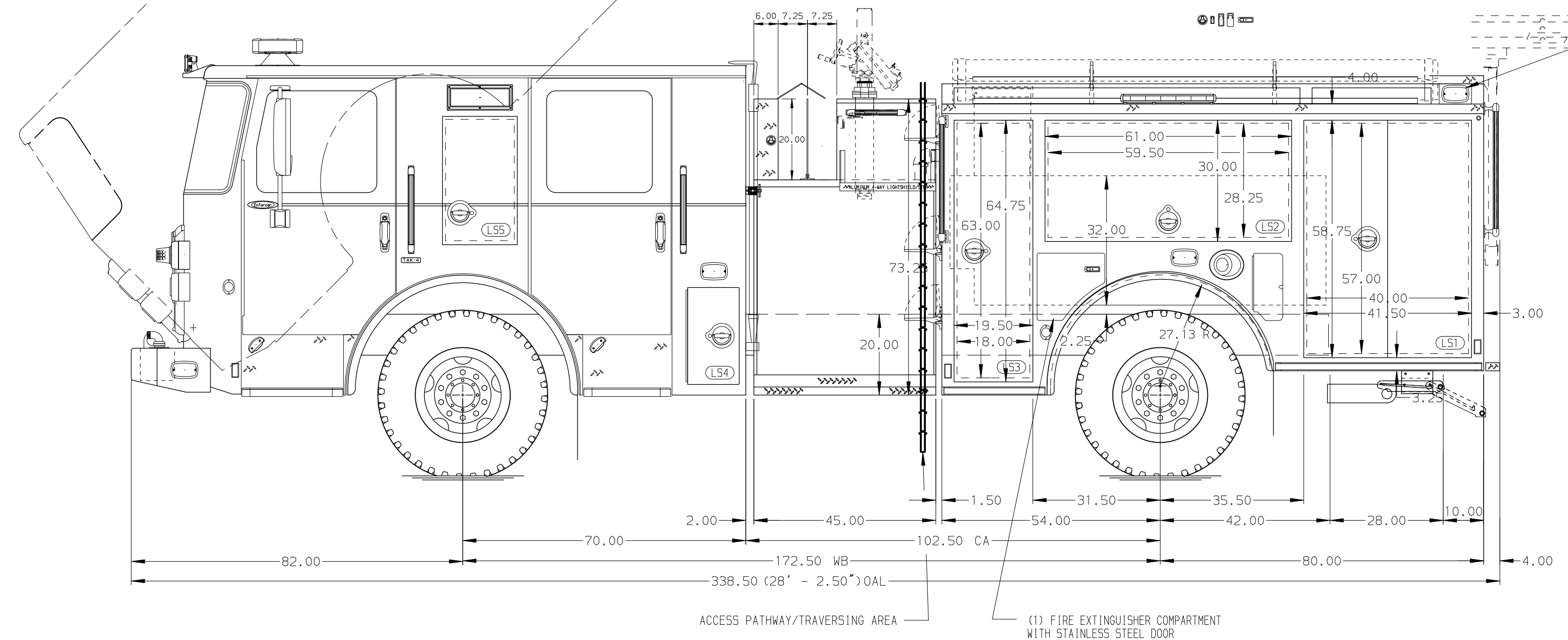


- HOSEBED CAPACITIES
- ① 250' OF 2.50" SYNTHETIC HOSE
 - ② 900' OF 3.00" SYNTHETIC HOSE
 - ③ OPEN
 - ④ 1000' OF 5.00" SYNTHETIC HOSE



GALVANNEAL

MAXIMUM O.A.L. 338.50"

MAXIMUM O.A.H. 116.00"

SIDE ROLL & FRONTAL IMPACT PROTECTION

NOTE
DIMENSIONS SHOWN ARE APPROXIMATE AND ARE SUBJECT TO MINOR DEVIATIONS AS MAY OCCUR OR BE NECESSARY IN CONSTRUCTION. MINOR DETAILS NOT SHOWN.

1. MOUNTING BRACKETS FOR WORDEN HWG-SB SUPER GRIPPER WHEEL CHOCKS PROVIDED BY FIRE DEPARTMENT
2. AIR INLET WITH DISCONNECT COUPLING LOCATED ON DRIVER'S SIDE PUMP PANEL
3. BATTERY CHARGER LOCATED IN COMPARTMENT L53
4. BATTERY CHARGE INDICATOR LOCATED ON DRIVER'S SEAT RISER
5. SHORELINE RECEPTACLE WITH KUSKMAUL AUTO-EJECT LOCATED ON DRIVER'S SIDE PUMP PANEL
6. KEYPED LOCKS FOR LATCHES ON COMPARTMENT L51, L52, L53, R51, R52 & R53
7. PULL STRAP ON DOOR IN COMPARTMENT L52 & R52
8. REVERSED HINGED DOOR ON COMPARTMENT L53
9. ONE ADJUSTABLE FULL WIDTH/DEPTH SHELF IN COMPARTMENT L51, L52, R51, R52, TWO IN R53, THREE IN R53
10. ONE ADJUSTABLE SLIDE-OUT TRAY IN COMPARTMENT B1

11. ONE FLOOR MOUNTED SLIDE-OUT TRAY IN COMPARTMENT B1
12. PEGBOARD WITH TRACK ON BACK WALL OF COMPARTMENT L51 & R51
13. BLISTER FOR PIPING IN COMPARTMENT B1

REV	DATE	BY	CH	ENFORCER
10DEC18		MWA	EFA	
16NOV18		MMF	EFA	

		JOB NO.	32976	
		SCALE	1:24	
TITLE 1500-D-500P W/25 GAL FOAM, 134" BODY, 6" RAISED REAR (2)XLAYS, DELUGE, AUX. HYDRAULIC PUMP FOR NAPA COUNTY FIRE DEPARTMENT ST HELENA, CALIFORNIA	DRAWN BY	AMI	DATE	06SEP18
	CHECKED BY	CCA		10SEP18
DWG NO.	32976AD		SHEET NO.	1 OF 1