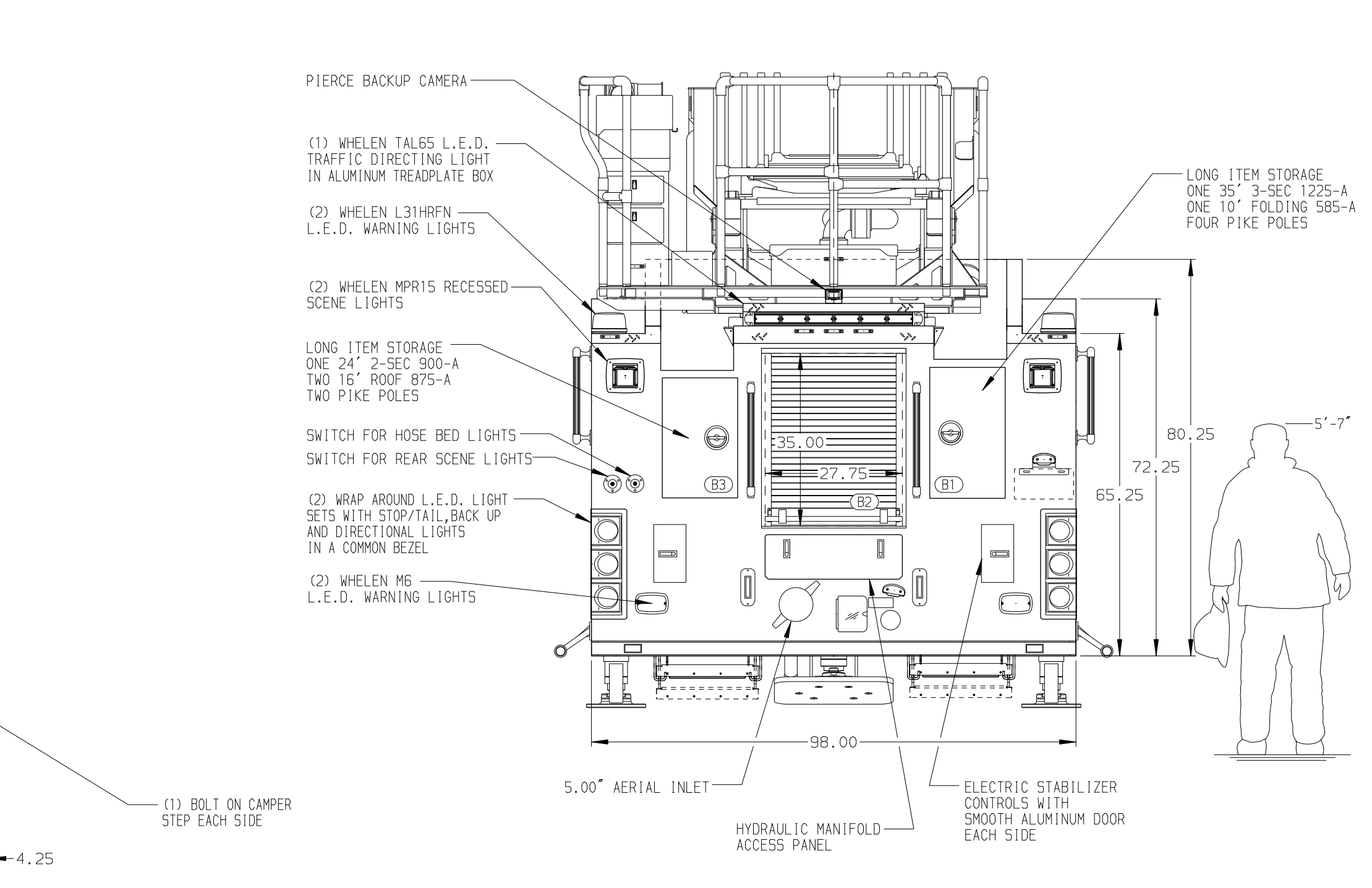


BODY 107' ASL Aluminum Body COMPT, LEFT SIDE FRONT Full Height RollUp Forward COMPT, LEFT SIDE REAR Full Height RollUp Rearward COMPT, RIGHT SIDE FRONT Full Height RollUp Forward COMPT, RIGHT SIDE REAR Full Height RollUp Rearward	WATER TANK 480 Gallon Poly Water Tank Foam System Husky 3 Single Agent Foam System Foam Cell 20 Gallon Foam Cell, Reduced Water
---	---



CHASSIS Enforcer Chassis ENGINE 450 HP Cummins L9 Engine	CAB 7000 Enforcer Cab BUMPER 19" Extended Painted Steel	AXLE, FRONT, CUSTOM 22,800 Lb Dana Axle AXLE, REAR 33,500 Lb Meritor Axle	TRANSMISSION Allison 5th Gen, 3000 EV5 P	PUMPHOUSE 52" Control Zone Side Mount PUMP 2000 GPM Waterous CSU	CROSSLAYS, 1.50" (2) 1.50" Standard Capacity CROSSLAYS, 2.50" (1) 2.50" Standard Capacity	SPEEDLAYS Speedlays Not Required GENERATOR Generator Not Required	SAFETY Side Roll and Frontal Impact Protection	CUSTOMER APPROVAL APPROVED BY: _____ DATE: _____		JOB NO. 32999 SCALE 1:24 DATE _____
NOTE DIMENSIONS SHOWN ARE APPROXIMATE AND ARE SUBJECT TO MINOR DEVIATIONS AS MAY OCCUR OR BE NECESSARY IN CONSTRUCTION. MINOR DETAILS NOT SHOWN.	1. ONE 1.50 OUTLET WITH 2.00 PIPING AND SWIVEL LOCATED IN CENTER BUMPER TRAY 2. SHORELINE RECEPTACLE WITH KOSMOSL SUPER AUTO-EJECT LOCATED ON DRIVER SIDE OF THE CAB 3. AIR INLET WITH DISCONNECT COUPLING IN THE DRIVER SIDE STEPPWELL 4. BATTERY CHARGER LOCATED IN COMPARTMENT PER SHOP ORDER 5. BATTERY CHARGE INDICATOR LOCATED ON DRIVERS SIDE CAB 6. SIX ADJUSTABLE SHELVES IN COMPARTMENTS PER SHOP ORDER 7. FOUR FLOOR MOUNTED SLIDE-OUT TRAY IN COMPARTMENT PER SHOP ORDER 8. NON-RAISED AERIAL PEDESTAL 9. 1500 GPM HIGH FLOW WATERWAY 10. DUAL L.E.D. LIGHT STRIPS LOCATED IN HOSE BED 11. TRIDENT FOLDING STEPS ON AERIAL DEVICE	12. L.E.D. LIGHTING ON AERIAL LADDER SECTIONS 13. NO LIMITED RETRACTION 14. 2-WAY INTERCOM SYSTEM BETWEEN AERIAL TIP AND TURNTABLE 15. LIFTING EYE ROPE RESCUE ATTACHMENT AT AERIAL TIP								
CHASSIS DATA MAKE PIERCE MODEL ENFORCER	TITLE 107' ASCENDANT AERIAL LADDER AND BODY ASSEMBLY FOR PIERCE FIELD UNIT APPLETON, WI DWG NO. 32999AD	DRAWN BY LWE 20AUG18 CHECKED BY THS 21AUG18 SHEET SIZE D SHEET NO. 1 OF 1								