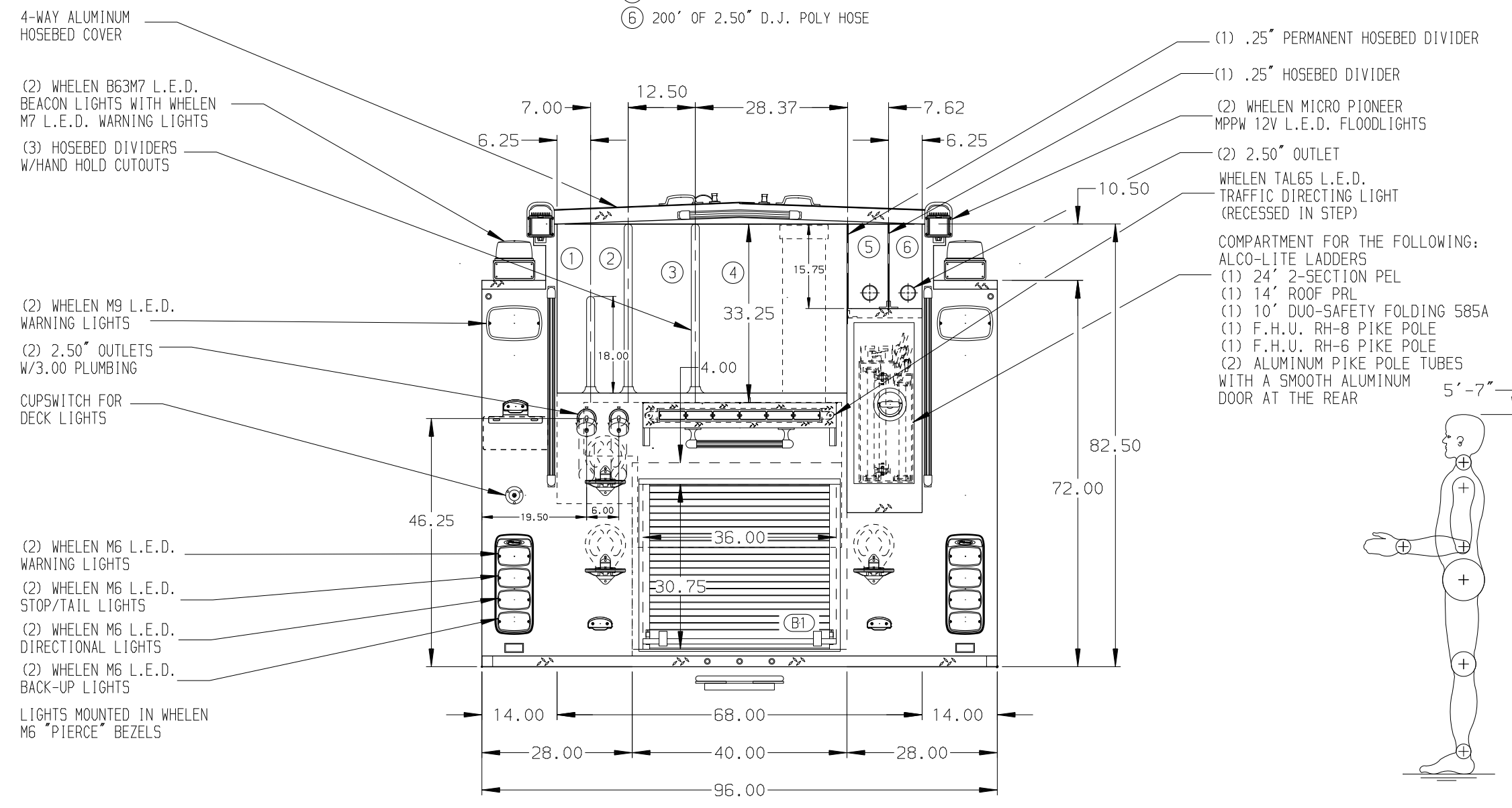
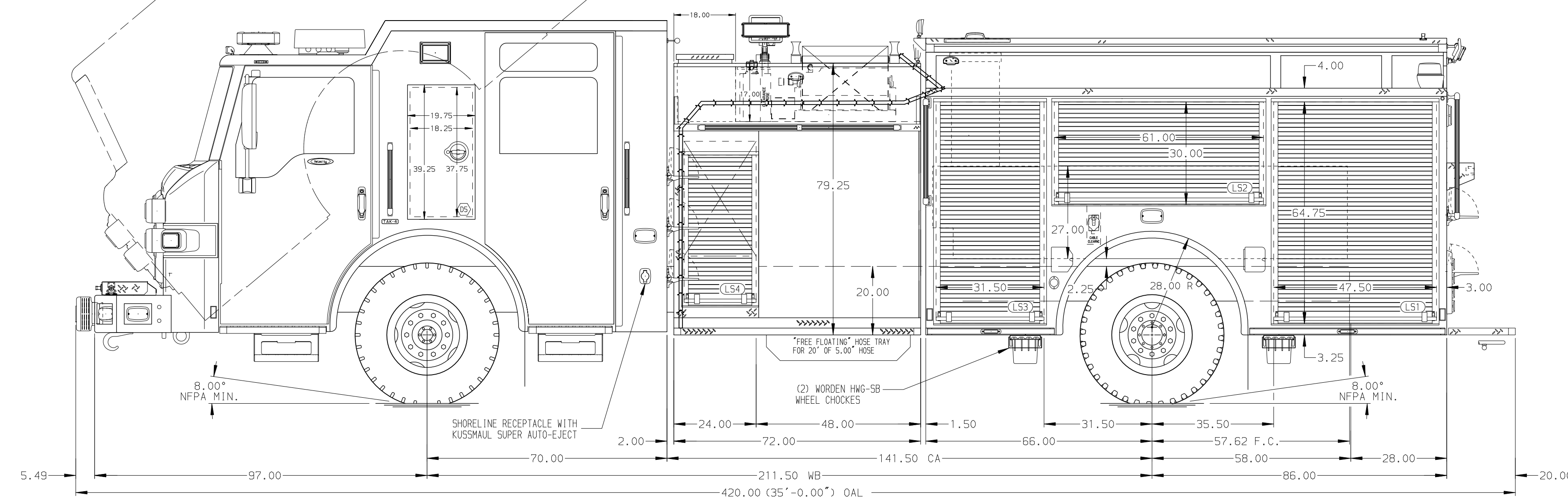


- HOSEBED CAPACITIES**
- ① 200' OF 1.75" D.J. POLY HOSE
  - ② 200' OF 1.75" D.J. POLY HOSE
  - ③ 600' OF 3.00" D.J. POLY HOSE
  - ④ 1000' OF 5.00" D.J. POLY HOSE
  - ⑤ 200' OF 2.50" D.J. POLY HOSE
  - ⑥ 200' OF 2.50" D.J. POLY HOSE



ALUMINUM BODY

SIDE ROLL AND FRONTAL IMPACT PROTECTION

**NOTE**  
DIMENSIONS SHOWN ARE APPROXIMATE AND ARE SUBJECT TO MINOR DEVIATIONS AS MAY OCCUR OR BE NECESSARY IN CONSTRUCTION. MINOR DETAILS NOT SHOWN.

- PUMP PANEL DRAWING REQUIRED
- ALUMINUM TREADPLATE EXTERIOR REAR WALL OF CAB
- BATTERY CHARGER LOCATED IN THE PASSENGER'S SIDE OF THE HATCH COMPARTMENT OVER TRANSVERSE ENGINEER'S COMPARTMENT
- BATTERY CHARGE INDICATOR LOCATED NEAR D.S. SEAT RISER WITH BRACKET
- ONE FULL WIDTH/DEPTH PAINTED ADJUSTABLE SHELF IN COMPARTMENT LS3, TWO IN LS1,RS1,RS3
- ONE ADJUSTABLE SLIDE-OUT TRAY IN COMPARTMENTS LS3
- ONE FLOOR MOUNTED SLIDE-OUT TRAY IN COMPARTMENTS LS3,RS1,RS3
- ALUMINUM SWING-OUT TOOLBOARD IN COMPARTMENT RS2
- ALL FOLDING STEPS TO BE TRIDENT WITH INTEGRATED L.E.D. LIGHT UNLESS SPECIFIED
- ONE HALF DEPTH ADJUSTABLE SHELF LOCATED IN COMPARTMENT LS4

- CIRCUIT BREAKER PANEL IN COMPARTMENT LS3
- (1) 120V DUPLEX RECEPTACLE LOCATED IN LS3, TWO IN CAB
- AIR INLET/OUTLET WITH DISCONNECT COUPLING LOCATED ON D.S. PUMP PANEL
- STAINLESS STEEL ROLL-UP GUARD IN COMPARTMENTS LS1,LS2,LS3,LS4,RS1,RS2,RS3,RS4,B1
- ONE VERTICAL BOLT-IN PARTITION BETWEEN COMPARTMENTS LS1-B1 & RS1-B1
- ROLLED HOSE STORAGE RACK LOCATED IN COMPARTMENT LS1
- FOUR FIRE EXTINGUISHER RACKS LOCATED IN COMPARTMENTS RS4
- ONE ALUMINUM MOUNTING PLATE W/TRACKS LOCATED IN COMPARTMENT LS2,RS2
- ONE TRANSVERSE PAINTED ADJUSTABLE SHELF LOCATED IN LS4/RS4

REV	DATE	BY	CH	VELOCITY
03DEC18	JWO	JGO		PIERCE
02NOV18	JWO	JGO		MODEL

		JOB NO.	33009
		SCALE	01-02
<b>MANUFACTURING INC.</b>		TITLE	1750-D-500P, 152", FULL HEIGHT FOLDER D.S. FOLDER P.S., CORD REEL
		FOR	WILMINGTON FIRE DEPARTMENT WILMINGTON, NORTH CAROLINA
		CHECKED BY	CDU
		SHEET SIZE	D
<b>33009AD</b>		DRAWN BY	JWO
		SHEET NO.	1 OF 1