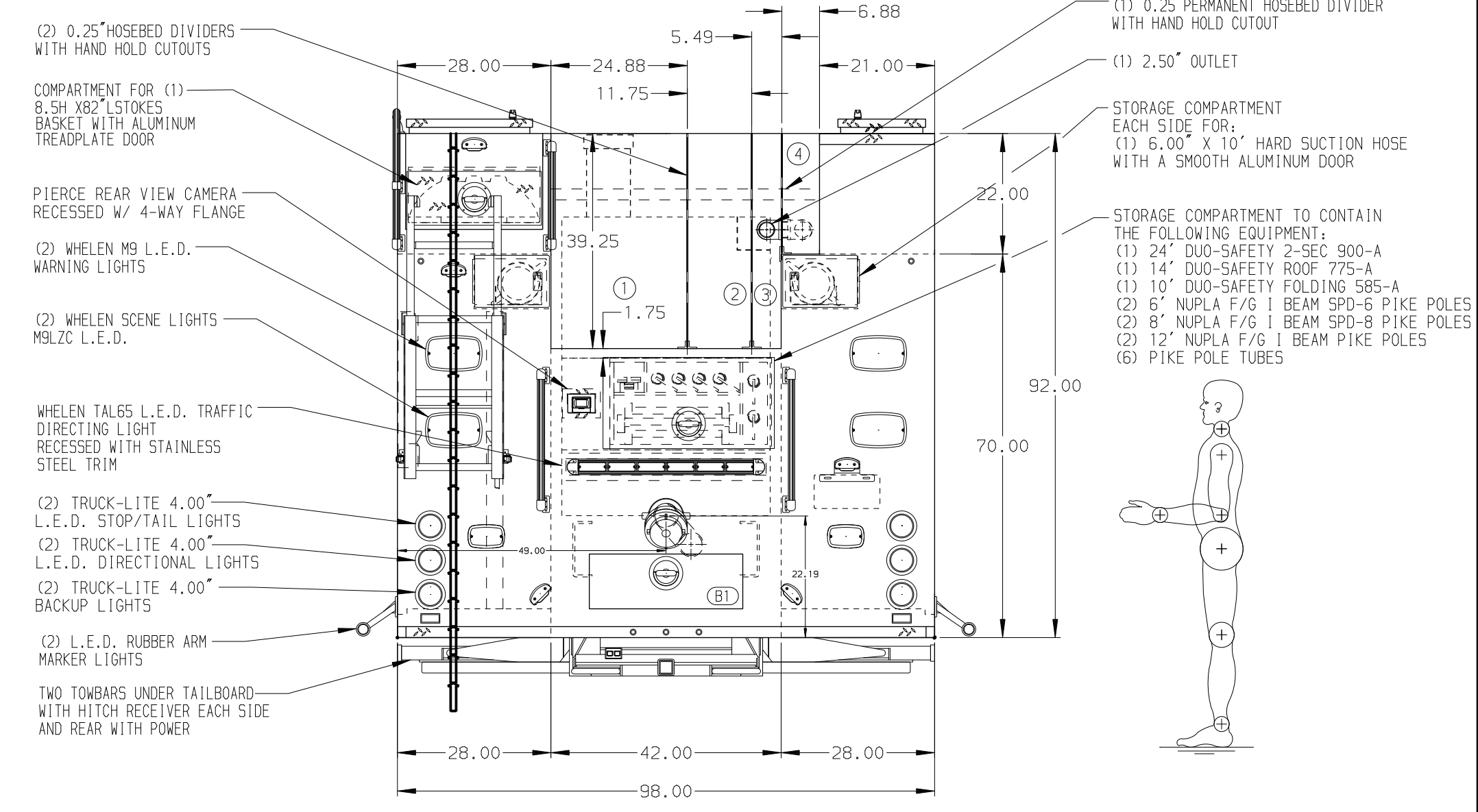


- HOSEBED CAPACITIES**
- ① 600' OF 5.00\"/>



ALUMINUM BODY

SIDE ROLL AND FRONTAL IMPACT PROTECTION

NOTE
DIMENSIONS SHOWN ARE APPROXIMATE AND ARE SUBJECT TO MINOR DEVIATIONS AS MAY OCCUR OR BE NECESSARY IN CONSTRUCTION. MINOR DETAILS NOT SHOWN.

- 1. KUSSMAUL BATTERY CHARGER LOCATED BEHIND DRIVER'S SEAT
- 2. BATTERY CHARGE INDICATOR LOCATED NEAR DRIVER'S SEAT RISER WITH BRACKET
- 3. CIRCUIT BREAKER PANEL IN COMPARTMENT L53
- 4. 5\"/>

REV	DATE	BY	CH	ARROW	XT
▽	26FEB19	LME	EFA		
▽	01FEB19	LME	EFA		
▽	27DEC18	KLE	KWI		
▽	14DEC18	LME	WKL		

		JOB NO.	33034
		SCALE	1:24
TITLE 1500-D-700P 675 GAL WATER/ W/25 GAL FOAM, 214\"/>	FOR KEWASKUM FIRE DEPARTMENT KEWASKUM, WISCONSIN	DRAWN BY	LME
		CHECKED BY	WKL
DWG NO. 33034AD-SH1	DATE 04DEC18	SHEET SIZE	D
		SHEET NO.	1 OF 2