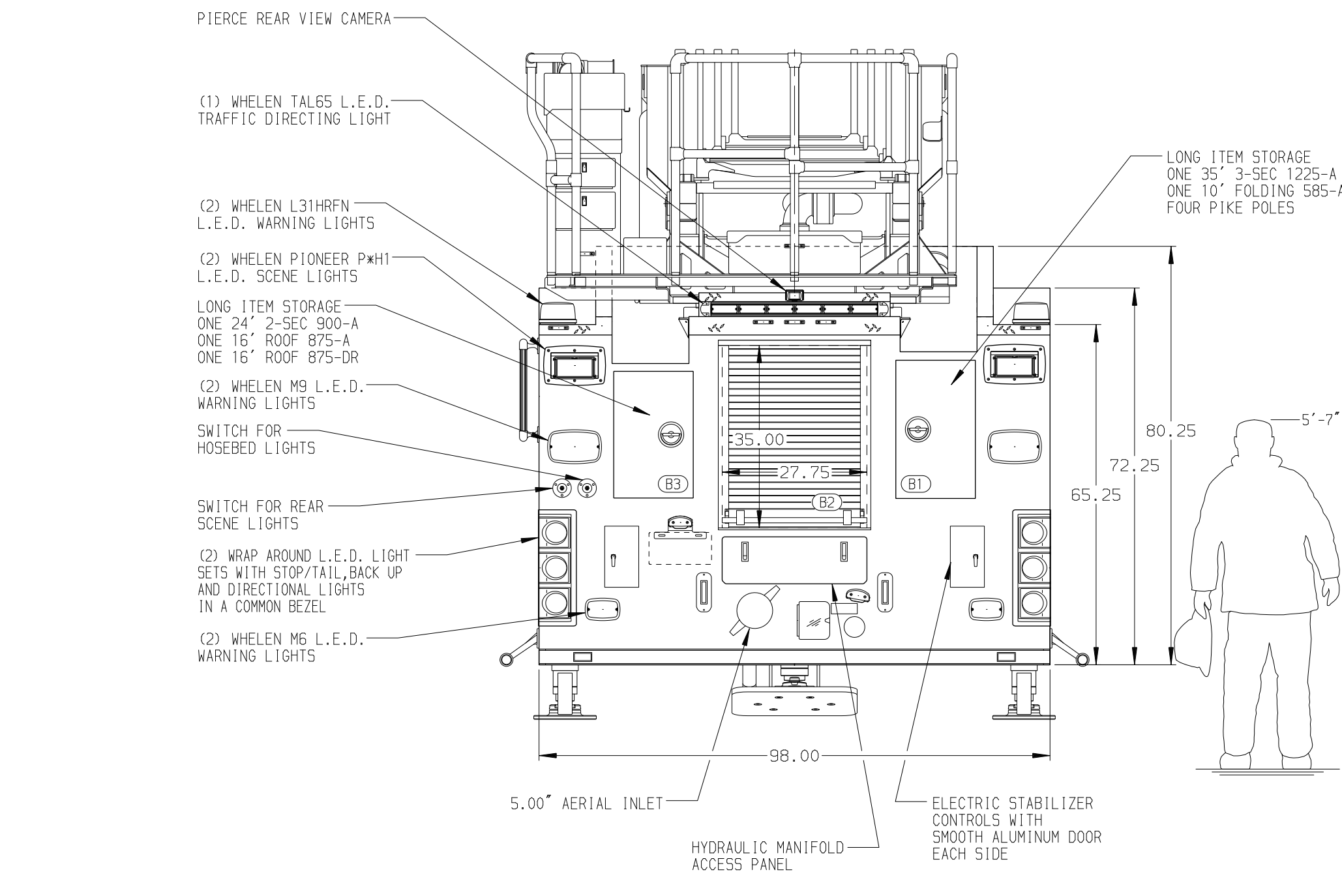


BODY	WATER TANK
107' ASL Aluminum Body PUC	480 Gallon Poly Water Tank
COMPT, LEFT SIDE FRONT	Foam System
Full Height RollUp Forward	Husky 3 Single Agent Foam System
COMPT, LEFT SIDE REAR	Foam Cell
Full Height RollUp Rearward	20 Gallon Foam Cell, Reduced Water, PUC
COMPT, RIGHT SIDE FRONT	
Full Height RollUp Forward	
COMPT, RIGHT SIDE REAR	
Full Height RollUp Rearward	



CHASSIS	CAB	AXLE, FRONT, CUSTOM	TRANSMISSION	PUMPHOUSE	CROSSLAYS, 1.50"	SPEEDLAYS
Enforcer Chassis, PUC	7010 Enforcer Cab, Notched, PUC	22,800 Lb Dana Axle	Allison 5th Gen, 4500 EV5 P	Control Zone, PAL/PAP PUC	(2) 1.50", Full Width Trays, 200" (1) Lower, 1 Upper	Speedlays Not Required
ENGINE	BUMPER	AXLE, REAR		PUMP	CROSSLAYS, 2.50"	GENERATOR
525 HP DD13 Engine	16" Extended Stainless Steel	33,500 Lb Meritor Axle		1500 GPM Pierce PUC	(2) 2.50", Full Width Trays, 200" (1) Lower, 1 Upper	Harrison GKW MAS-D Hydraulic

**NOTE**  
DIMENSIONS SHOWN ARE APPROXIMATE AND ARE SUBJECT TO MINOR DEVIATIONS AS MAY OCCUR OR BE NECESSARY IN CONSTRUCTION. MINOR DETAILS NOT SHOWN.

- ONE 1.50 OUTLET WITH 2.00 PIPING AND SWIVEL LOCATED IN CENTER BUMPER TRAY
- SHORELINE RECEPTACLE WITH KUSSMAUL SUPER AUTO-EJECT LOCATED ON DRIVER SIDE OF THE CAB
- AIR INLET WITH DISCONNECT COUPLING LOCATED ON THE DRIVER SIDE PUMP PANEL PER SHOP ORDER
- BATTERY CHARGER LOCATED BEHIND DRIVER'S SEAT
- BATTERY CHARGER INDICATOR BEHIND DRIVER'S SEAT DISPLAYED THROUGH WINDOW
- SIX ADJUSTABLE SHELVES IN COMPARTMENTS PER SHOP ORDER
- ONE ADJUSTABLE TILTING SLIDE-OUT TRAY IN COMPARTMENT PER SHOP ORDER
- FIVE FLOOR MOUNTED SLIDE-OUT TRAYS IN COMPARTMENTS PER SHOP ORDER
- ONE SWING-OUT ALUMINUM TOOL BOARD IN COMPARTMENT PER SHOP ORDER
- ONE VERTICAL PARTITION IN COMPARTMENT PER SHOP ORDER
- FIVE ALUMINUM PEGBOARD WITH TRACKS ON THE BACK WALL OF COMPARTMENTS PER SHOP ORDER
- ONE ALUMINUM PEGBOARD WITH TRACKS ON THE SIDE WALLS OF COMPARTMENT PER SHOP ORDER
- LITTLE GIANT LADDER MOUNTED IN COMPARTMENT PER SHOP ORDER
- CIRCUIT BREAKER PANEL IN COMPARTMENT PER SHOP ORDER
- SEVEN INTERIOR DUPLEX RECEPTACLES LOCATED PER SHOP ORDER
- GST 794 L.E.D. OPTICOM TRAFFIC LIGHT CONTROLLER MOUNTED AT AERIAL TIP
- AERIAL WIRELESS REMOTE CONTROL
- ONE SET OF STABILIZER PLACEMENT LASERS
- NON-RAISED AERIAL PEDESTAL
- 1500 GPM HIGH FLOW WATERWAY
- REMOTE MONITOR CONTROLS AT PUMP PANEL
- LIMITED RETRACTION NOT REQUIRED

Pierce MANUFACTURING INC.				JOB NO.	33056
CHASSIS DATA				SCALE	DATE
TITLE				1:24	26SEP18
FOR				CHECKED BY	27SEP18
MODEL				SHEET SIZE	SHEET NO.
ENFORCER				D	1 OF 1
DWG NO.				33056AD	