

PUMPER BODY

Medium Aluminum 2nd Gen Pumper

CHASSIS

Enforcer Chassis

CHASSIS AXLE, FRONT, CUSTOM

22,800 Lb TAK-4 Axle

AXLE, REAR

24,000 Lb Meritor Axle

ENGINE

470 HP DD13 Engine

TRANSMISSION

Allison 5th Gen, 4000 EVS P

BUMPER

19" Extended Steel Painted

CAB

7010 Enforcer Cab

BODY WATER TANK

500 Gallon Water Tank

COMPT, PUMPER, REAR

30.75" FF RollUp Rear Compt

COMPT, PUMPER, DRIVER SIDE

152" RollUp Full Height Front & Rear FDLR

COMPT, PUMPER PASS. SIDE

152" RollUp Full Height Front & Rear FDLR

FIRE SUPPRESSION PUMPHOUSE

45" Control Zone Side Mount

PUMP

1500 GPM Waterous CMU

CROSSLAYS, 1.50"

(2) 1.50" Standard Capacity

CROSSLAYS, 2.50"

2.50" Crosslay Not Required

SPEEDLAYS

Speedlays Not Required

GENERATOR

Generator Not Required

Foam System

Foam System Not Required

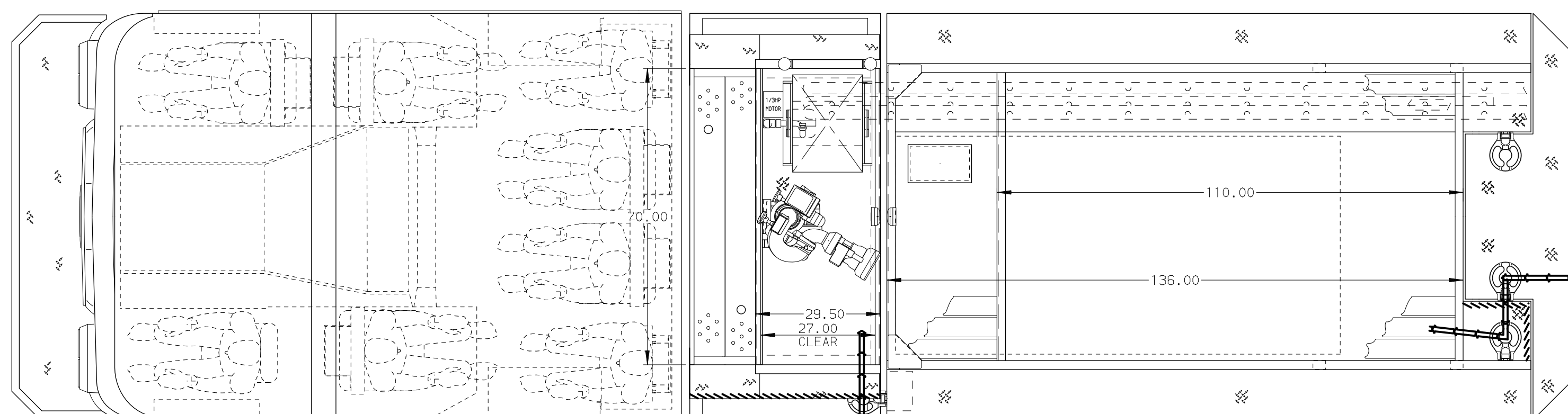
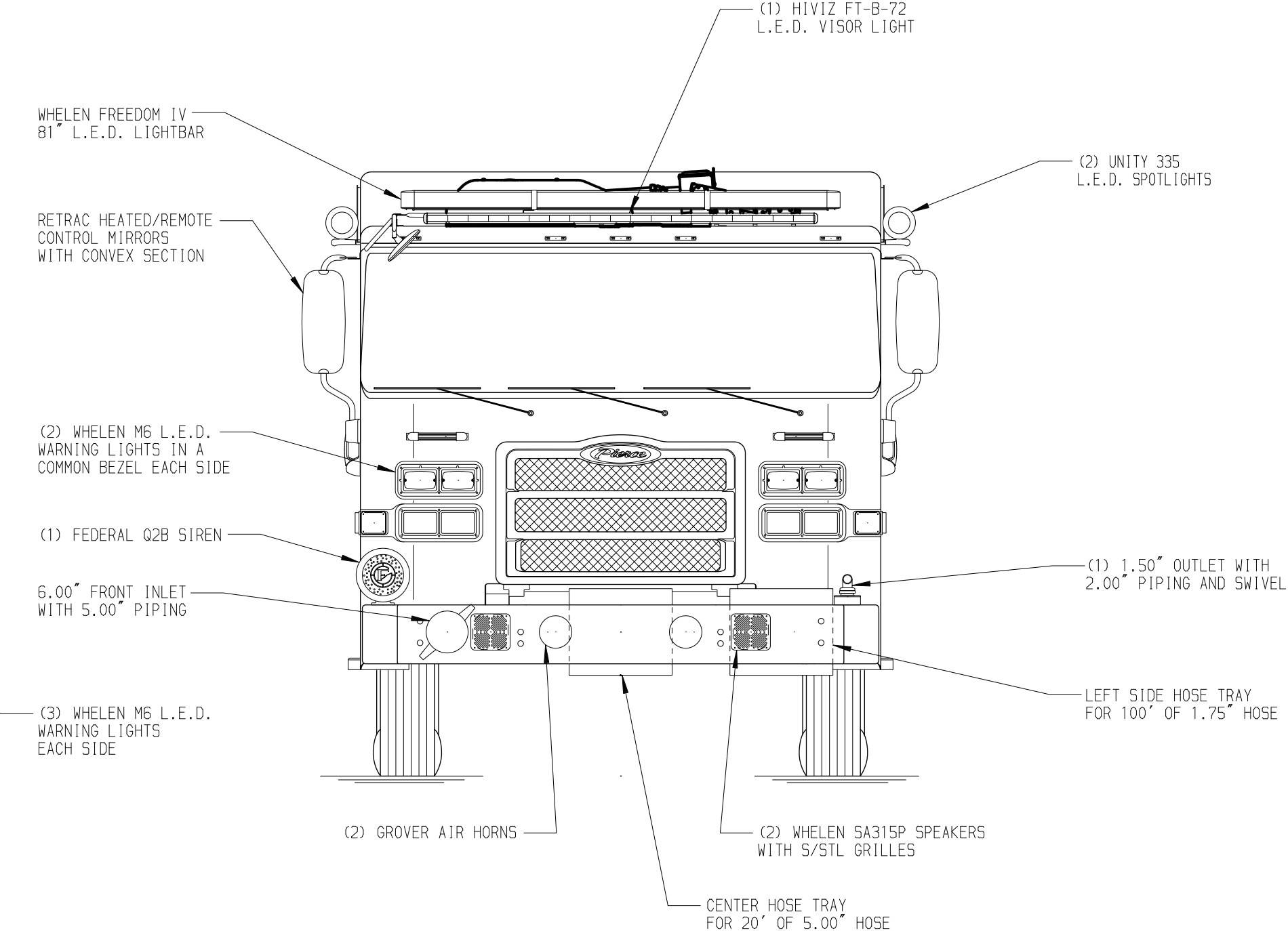
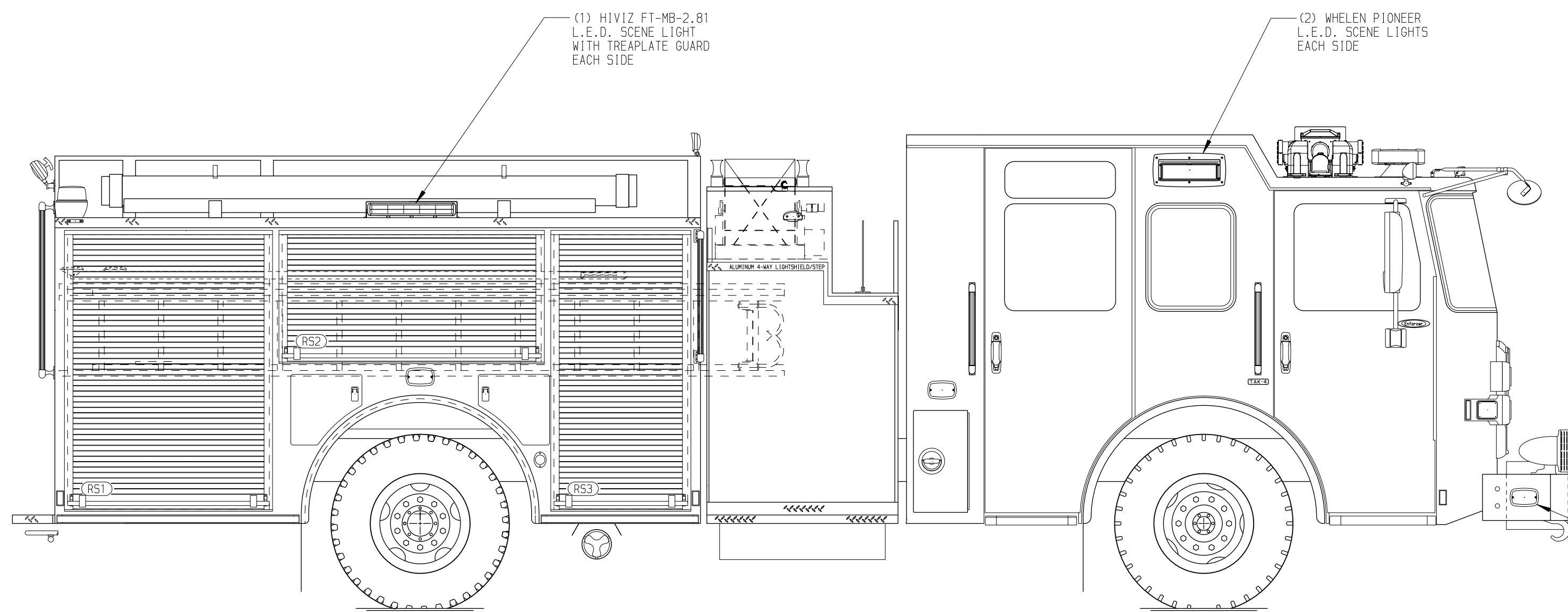
Foam Cell

Foam Cell Not Required

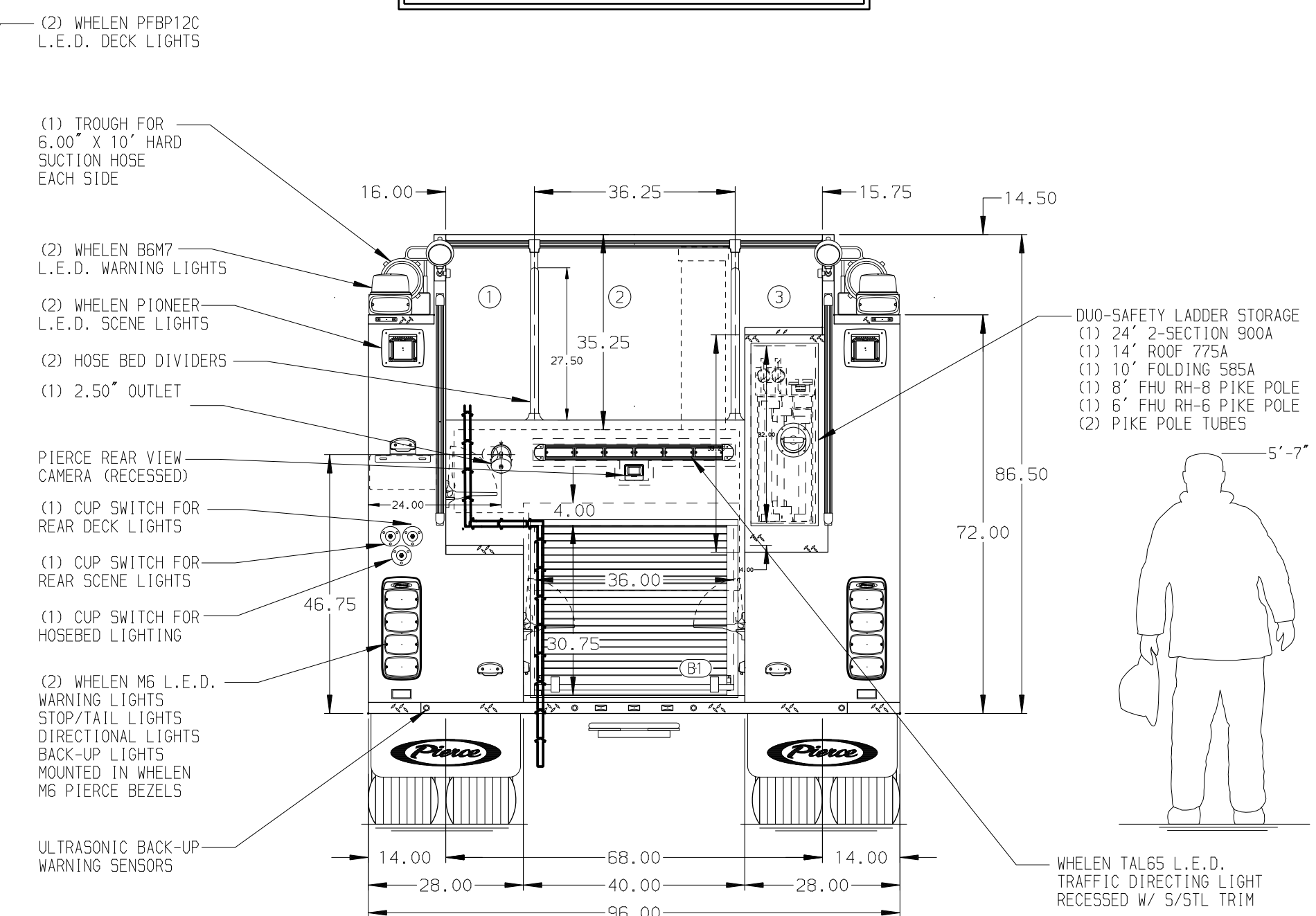
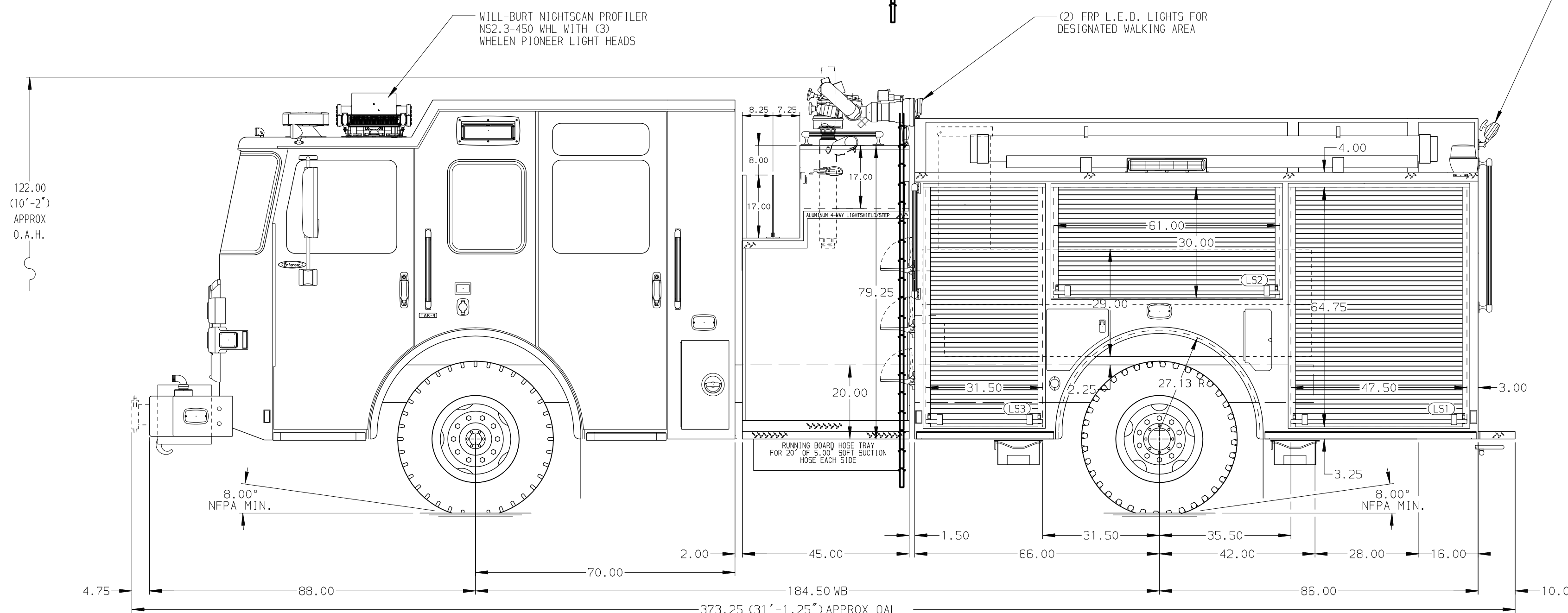
Side Roll and Frontal Impact Protection

NOTE
DIMENSIONS SHOWN ARE APPROXIMATE AND ARE SUBJECT TO MINOR DEVIATIONS AS MAY OCCUR OR BE NECESSARY IN CONSTRUCTION. MINOR DETAILS NOT SHOWN.

1. SHORELINE RECEPTACLE WITH KUSSMAUL SUPER AUTO-EJECT LOCATED ON DRIVER SIDE OF THE CAB
2. AIR INLET WITH DISCONNECT COUPLING IN THE DRIVER SIDE STEPWELL
3. BATTERY CHARGER LOCATED BEHIND DRIVERS SEAT
4. BATTERY CHARGE INDICATOR LOCATED ON DRIVER SIDE OF THE CAB
5. FIVE ADJUSTABLE SHELVES LOCATED PER SHOP ORDER
6. TWO FLOOR MOUNTED SLIDE-OUT TRAYS LOCATED PER SHOP ORDER
7. ONE SWING-OUT TOOLBOARD LOCATED PER SHOP ORDER
8. HANNAY BOOSTER REEL MODEL SBFF24-23-24 LOCATED IN CARGO AREA FOR 150' OF 0.75" BOOSTER HOSE
9. AUTOMATIC TIRE CHAINS



HOSEBED CAPACITY	
BED 1	700' OF 2.50" D.J. POLY HOSE
BED 2	1200' OF 5.00" D.J. POLY HOSE
BED 3	500' OF 1.75" D.J. POLY HOSE



MAXIMUM O.A.L. - 384.00"

		JOB NO.	33072
		SCALE	DATE
Pierce MANUFACTURING INC.		TITLE	Pierce Pumper Approval Drawing
		MAKE	Village of Port Chester
		MODEL	ENFORCER
		DWG NO.	33072AD
		CHECKED BY	25SEP18
		SHEET SIZE	SHEET NO.
		D	1 OF 1

REV	DATE	BY	CH	ENFORCER
03DEC18	COL	KBO		
24OCT18	COL	KBO		