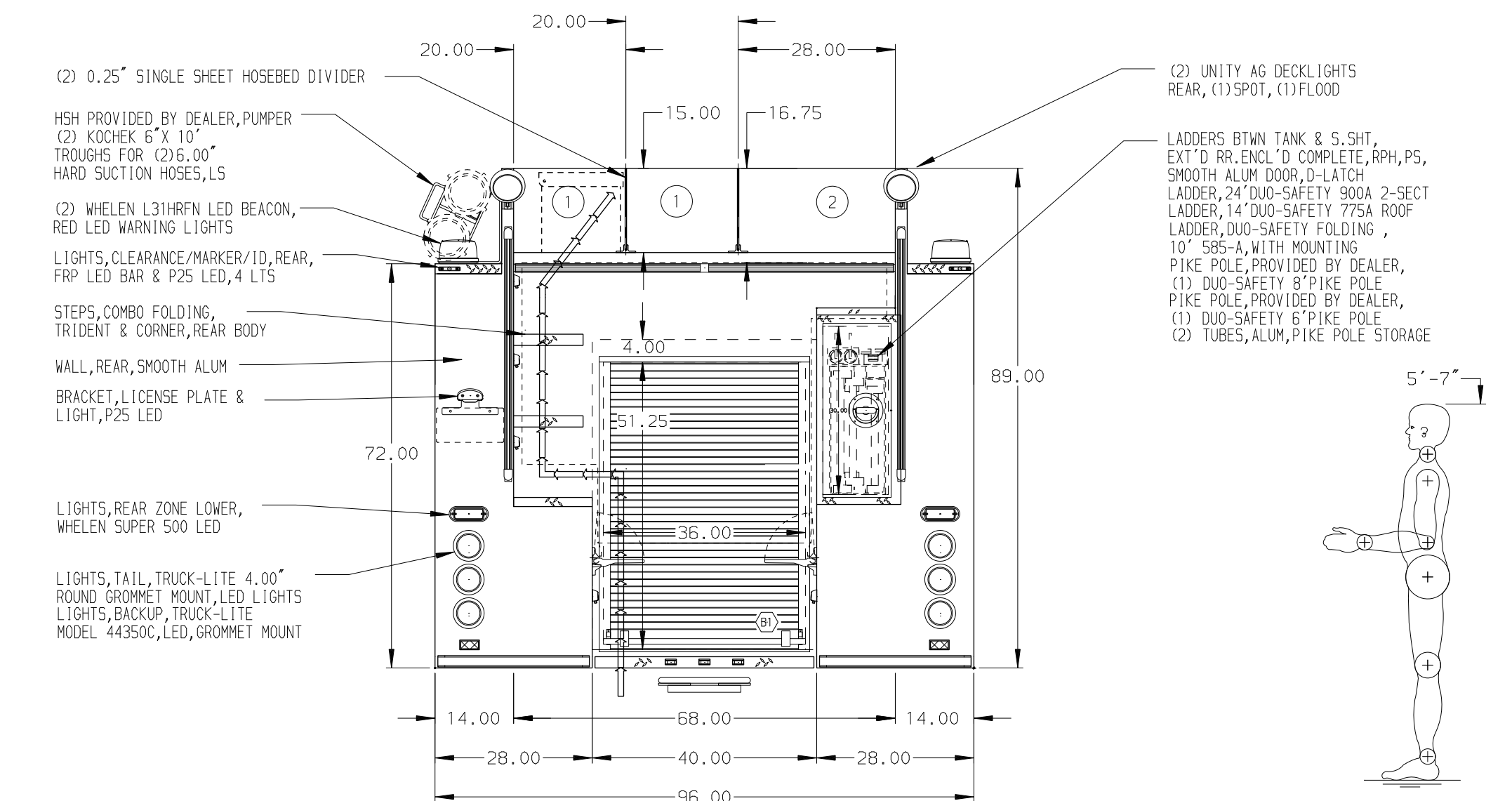
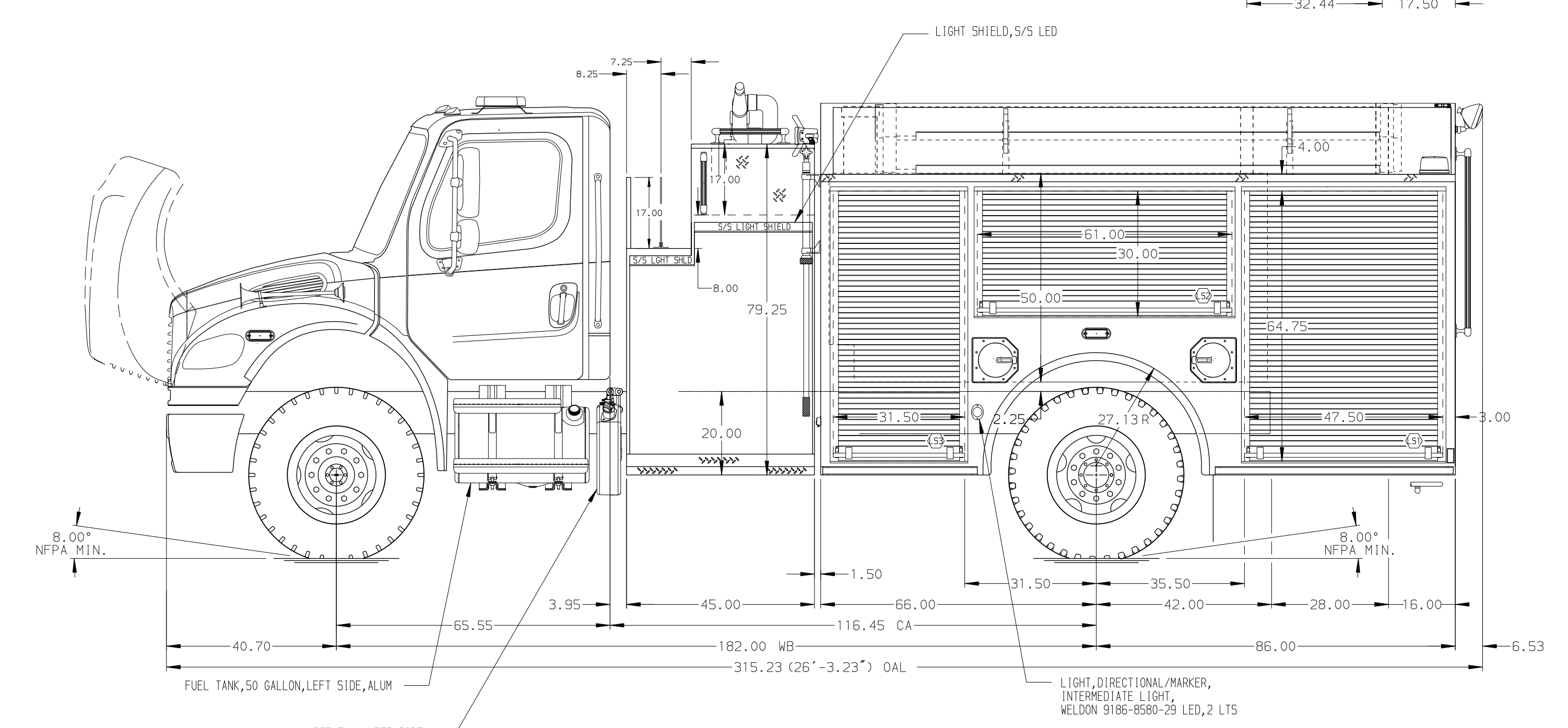


- HOSEBED CAPACITIES
- ① 1000' OF 2.50" D.J. POLY HOSE
 - ② 300' OF 1.75" D.J. POLY HOSE



ALUMINUM BODY

MAXIMUM O.A.H. 115"

NOTE
DIMENSIONS SHOWN ARE APPROXIMATE AND ARE SUBJECT TO MINOR DEVIATIONS AS MAY OCCUR OR BE NECESSARY IN CONSTRUCTION. MINOR DETAILS NOT SHOWN.

REV	DATE	BY	CH	MODEL
02APR19	JAF	GSC		FL
08JAN19	JLA	RW1		MODEL
				M2-106

		JOB NO.	33075
		SCALE	DATE
TITLE	1250-D-1000 POLY, 152" BODY, DS&PS FULL HGT FDLER 45" SIDE CONTROL, (2) 1.5" CROSSLAYS	DRAWN BY	JLA
FOR	CITY OF MIDDLETON FD MIDDLETON, TENNESSEE	CHECKED BY	RWI
DWG NO.	33075AD	SHEET SIZE	D
		SHEET NO.	1 OF 1