

Pumper, PUC BODY

Pumper, PUC, Aluminum

CHASSIS

Velocity Chassis, PUC (Medium Block)

CHASSIS

AXLE, FRONT, CUSTOM

19,500 Lb TAK-4 Axle

AXLE, REAR

27,000 Lb Meritor Axle

ENGINE

450 HP Cummins L9 Engine

TRANSMISSION

Allison 5th Gen, 3000 EVS P

BUMPER

19" Extended Painted Steel

CAB

7010 Velocity FR Cab, PUC

BODY

WATER TANK

750 Gallon Poly Water Tank

COMPT, PUMPER, REAR

36.50" FF RollUp Rear Compt w/Tailboard, PUC

COMPT, PUMPER, LEFT SIDE

189" RollUp Full Height & Depth Front & Rear, PUC

COMPT, PUMPER, RIGHT SIDE

189" RollUp Full Height & Depth Front & Rear, PUC

FIRE SUPPRESSION

PUMPHOUSE

Control Zone, PUC

PUMP

1500 GPM Pierce PUC

CROSSLAYS, 1.50"

(2) 1.50", Full Width Poly Trays, 200' of 1.75" Hose

(1) 1.50", Full Width Poly Tray, 250' of 2.00" Hose

CROSSLAYS, 2.50"

2.50" Crosslay Not Required

GENERATOR

Harrison 6kW MSV Hydraulic Generator

Foam System

Foampro 2001 Foam System

Foam Cell

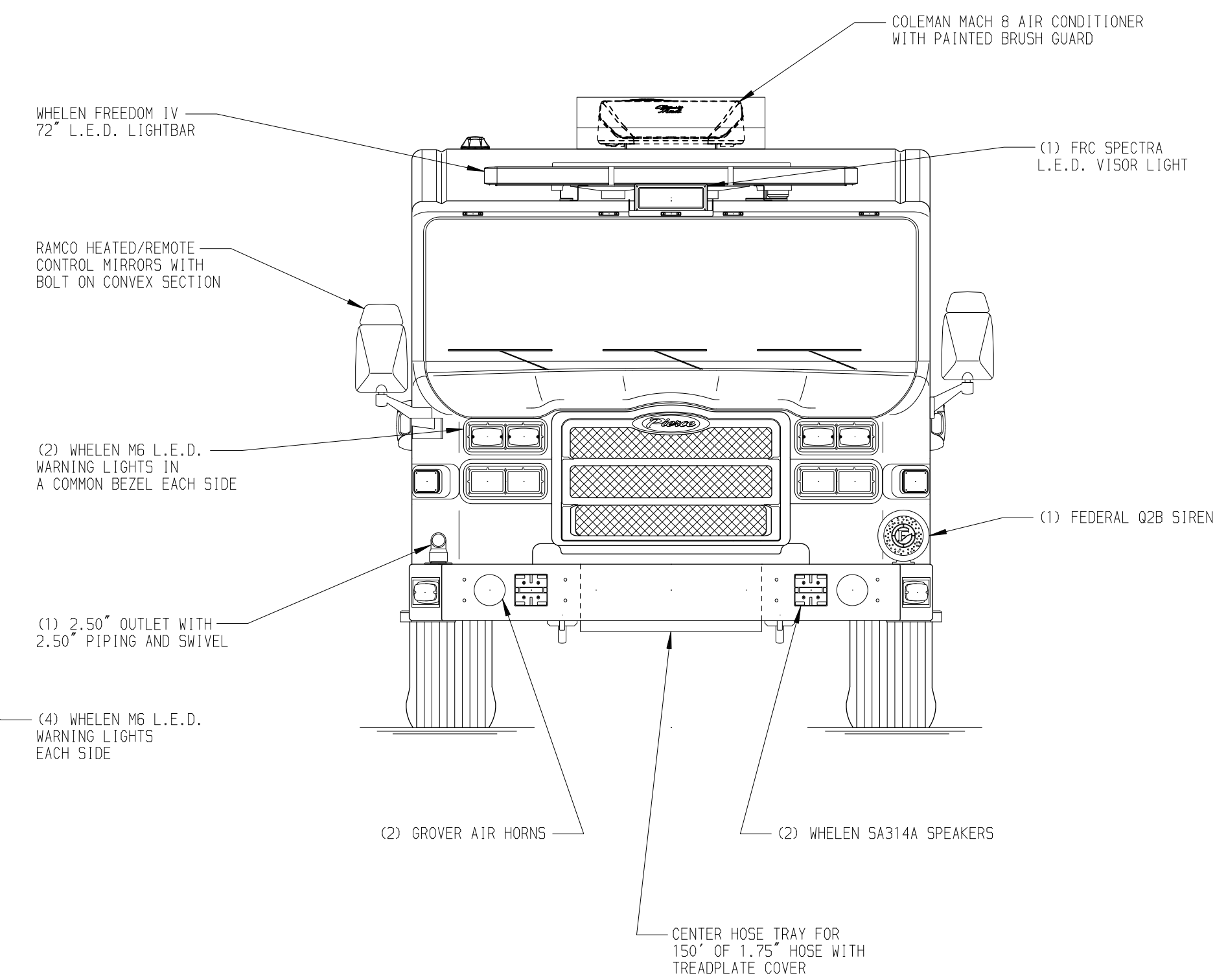
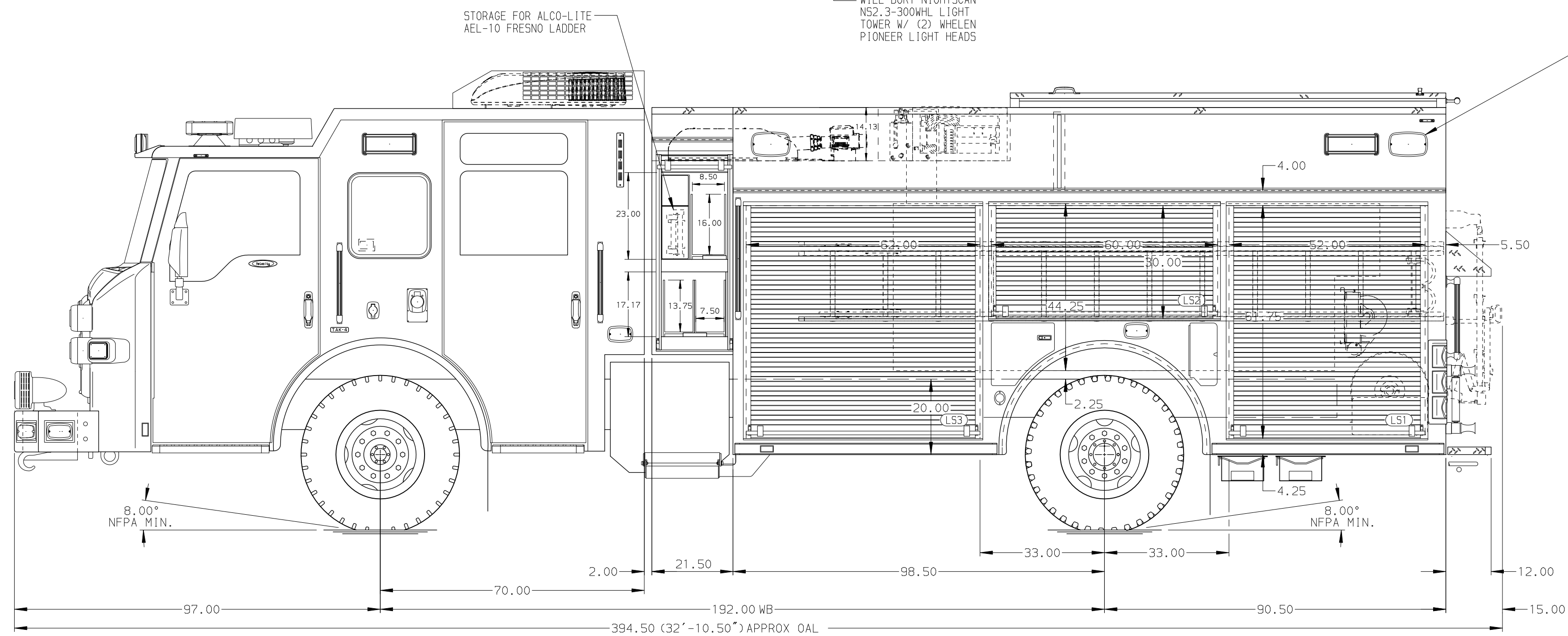
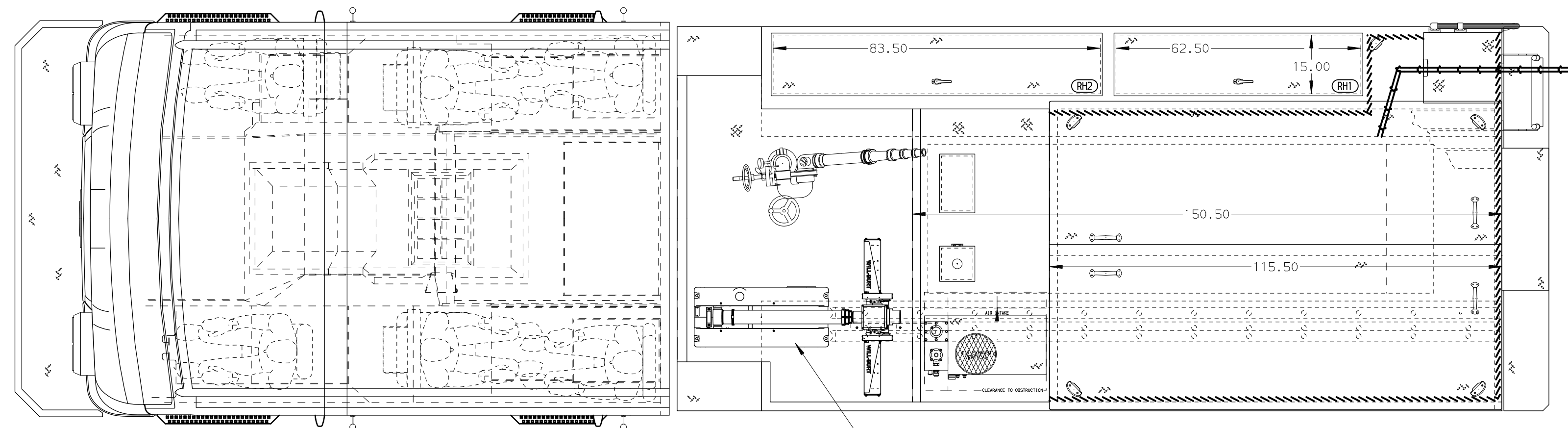
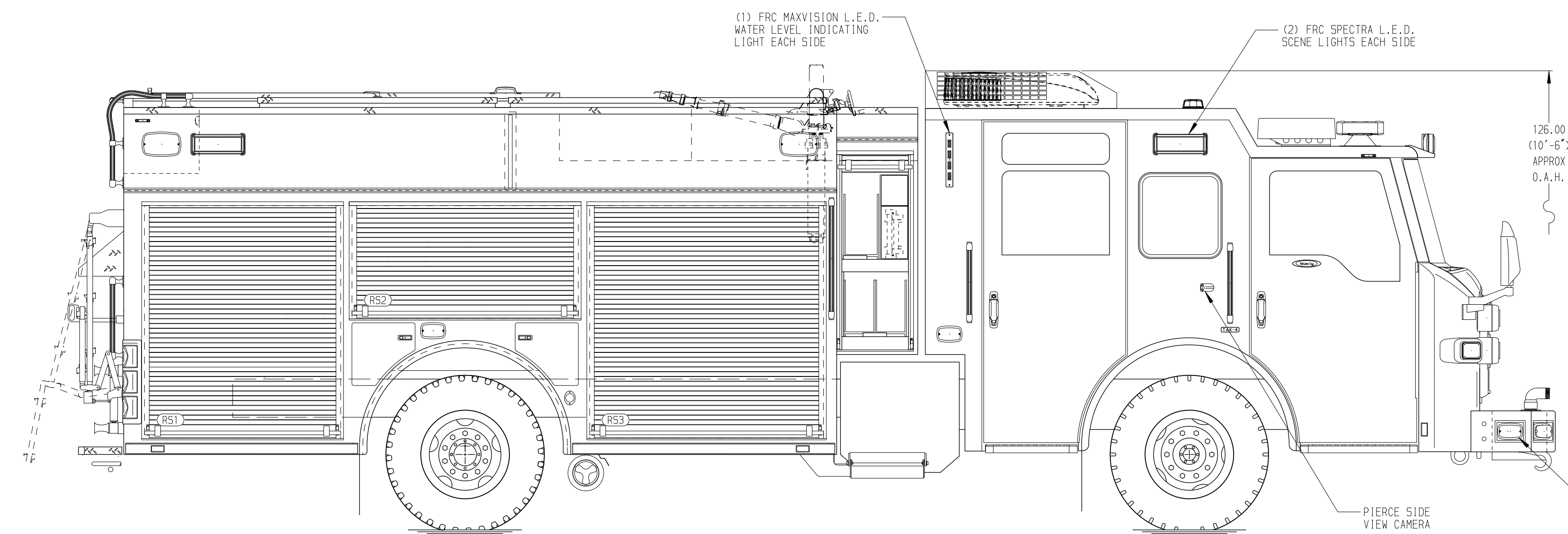
30 Gallon Foam Cell, Not Reduced Water, PUC

Side Roll and Frontal Impact Protection

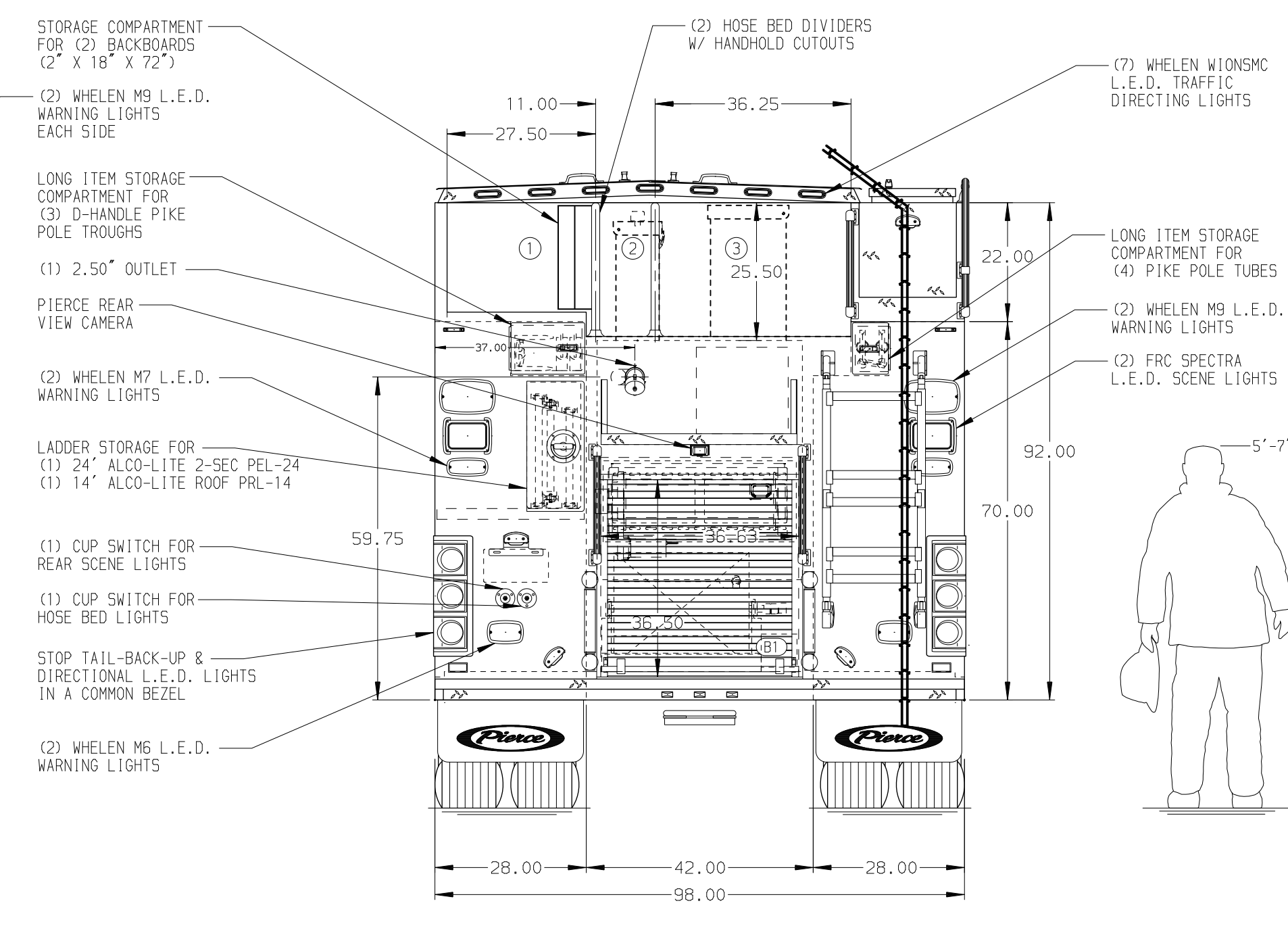
NOTE

DIMENSIONS SHOWN ARE APPROXIMATE AND ARE SUBJECT TO MINOR DEVIATIONS AS MAY OCCUR OR BE NECESSARY IN CONSTRUCTION. MINOR DETAILS NOT SHOWN.

- 120V 30A SHORELINE RECEPTACLE WITH KUSSMAUL SUPER AUTO-EJECT LOCATED ON DRIVER SIDE OF THE CAB
- 120V 20A SHORELINE RECEPTACLE WITH KUSSMAUL SUPER AUTO-EJECT LOCATED ON DRIVER SIDE REAR BULKHEAD
- BATTERY CHARGER LOCATED IN PUC PLUMBING AREA
- BATTERY CHARGE INDICATOR DISPLAYED THROUGH DRIVER SIDE CAB WINDOW
- SEVEN ADJUSTABLE SHELVES LOCATED PER SHOP ORDER
- TWO ADJUSTABLE SLIDE-OUT TRAYS LOCATED PER SHOP ORDER
- ONE TILTING SLIDE-OUT TRAY LOCATED PER SHOP ORDER
- ONE SWING-OUT TOOLBOARD LOCATED PER SHOP ORDER
- HANNAY BOOSTER REEL SBFC32-21-22 WITH CAPACITY FOR 200' OF 0.75" BOOSTER HOSE LOCATED IN COMPARTMENT B1
- CIRCUIT BREAKER PANEL LOCATED PER SHOP ORDER
- HANNAY CABLE REEL ELFCR1636-10-11-6 WITH 150' OF 10/3 CABLE LOCATED IN COMPARTMENT RS1
- BOLT IN PARTITIONS LOCATED BETWEEN COMPARTMENTS L51/B1 & RS1/B1
- ALUMINUM PEGBOARD LOCATED PER SHOP ORDER
- AIR INLET/OUTLET LOCATED ON DRIVER SIDE PUMP PANEL



HOSEBED CAPACITY	
BED 1	400' OF 2.50" D.J. POLY HOSE
BED 2	250' OF 2.50" D.J. POLY HOSE
BED 3	1000' OF 4.00" D.J. POLY HOSE



		JOB NO.	33099
		SCALE	01-03
Pierce MANUFACTURING INC.		TITLE	Pierce PUC Pumper Approval Drawing
		DATE	
MANUFACTURING INC.		DRAWN BY	COL
		CHECKED BY	KBO
MANUFACTURING INC.		FOR	Fort Worth Fire Department
		SHEET SIZE	D
MANUFACTURING INC.		DWG NO.	33099AD
		SHEET NO.	1 OF 1

REV	DATE	BY	CH	VELOCITY
26NOV18	COL	KBO		PIERCE
19NOV18	COL	KBO		MODEL