

RIGHT SIDE COMPARTMENTS CONTAIN THE FOLLOWING:

COMPARTMENT RS1 CONTAINS:

- (1) RACK FOR 36 SCBA BOTTLES (6.5" X 6.5" SQ. OPENING)
- (1) SPACESAVER FILL ENCLOSURE
- (1) AIR CONTROL PANEL

COMPARTMENT RS2 CONTAINS:

- (1) RACK FOR 28 SCBA BOTTLES (6.5" X 6.5" SQ. OPENING)

COMPARTMENT RS3 CONTAINS:

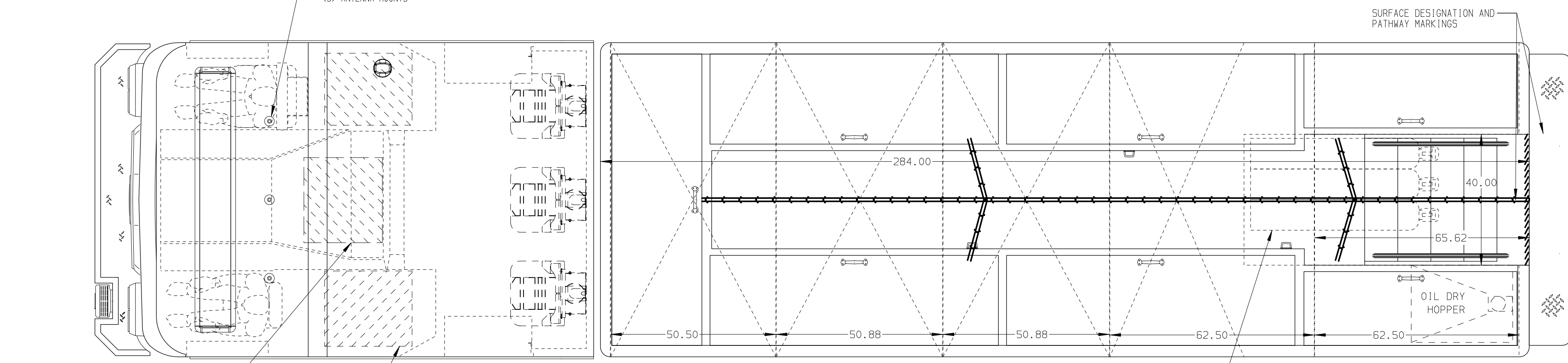
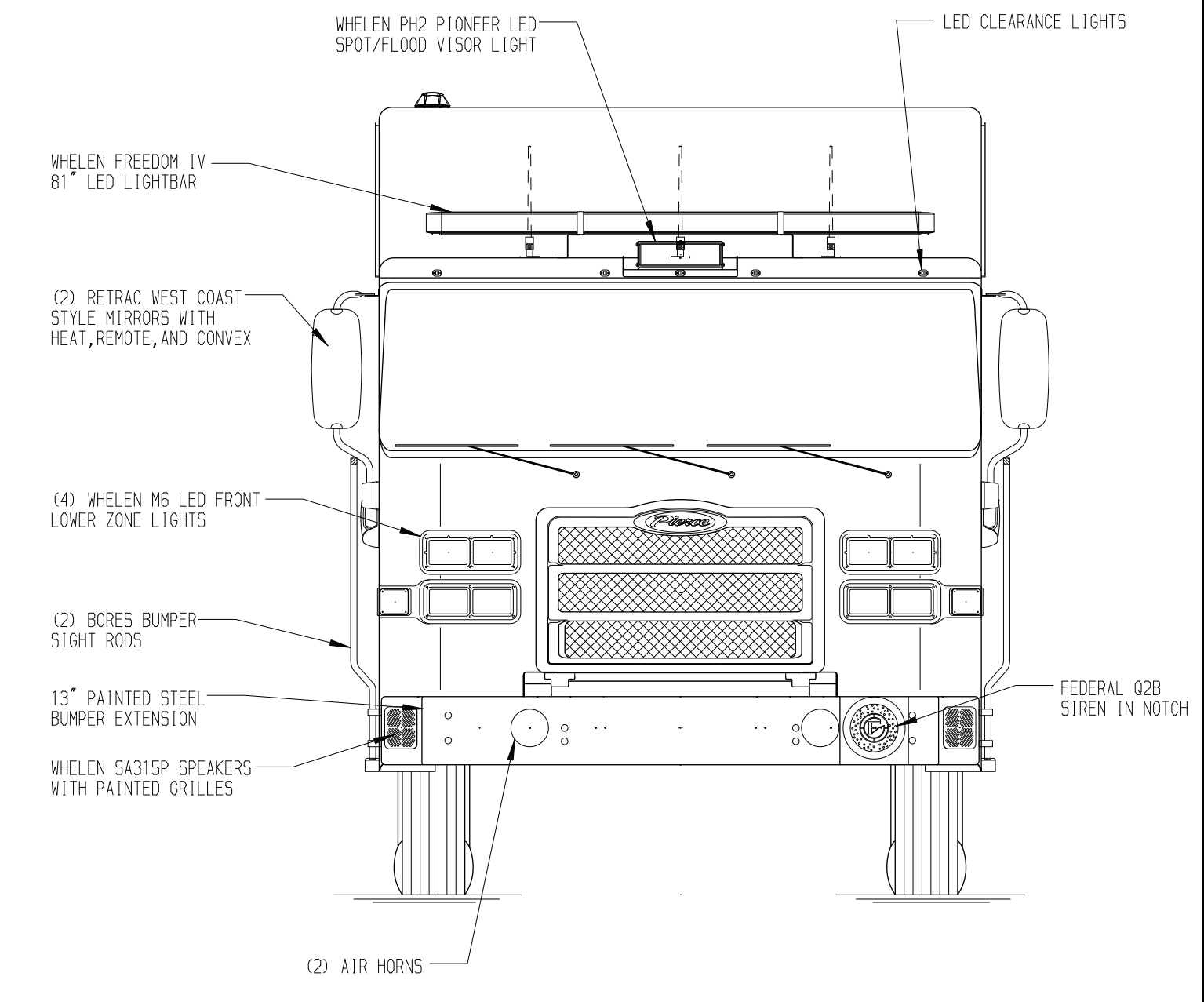
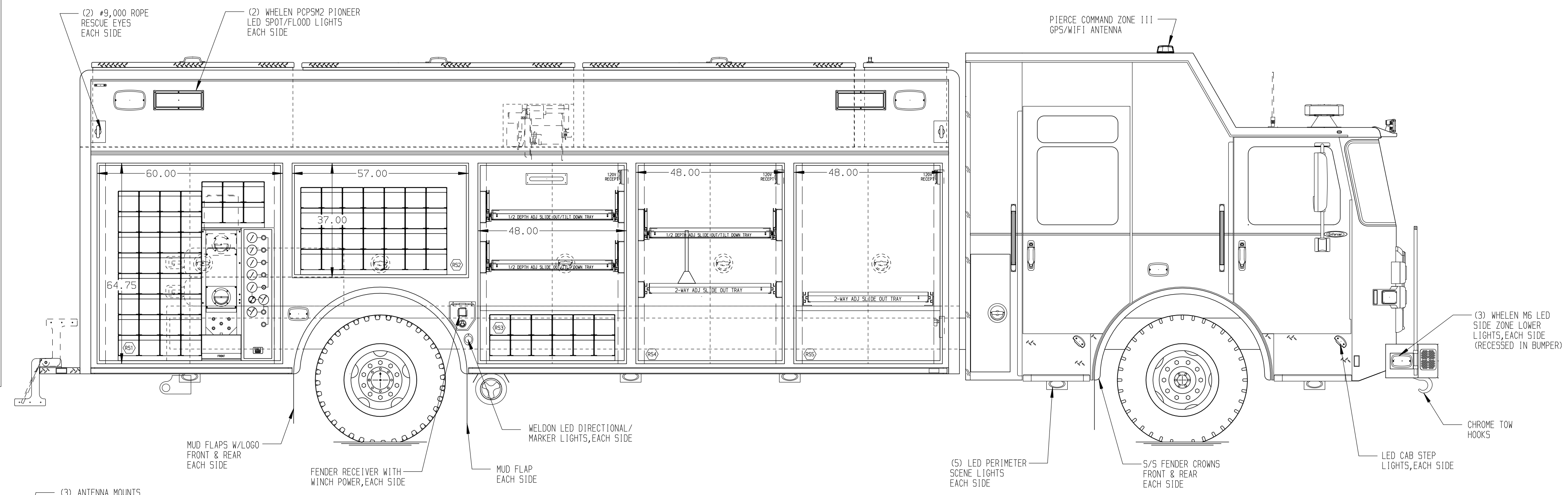
- (1) RACK FOR 12 SCBA BOTTLES (6.5" X 6.5" SQ. OPENING)
- (2) 1/2" DEPTH ADJ SLIDE OUT/TILT TRAYS
- (1) HORIZONTAL FLOOR EXTENSION
- (1) 120V DUPLEX RECEPTACLE
- (1) ELECTRIC CABLE REEL WITH 200' OF 12/3 YELLOW CORD

COMPARTMENT RS4 CONTAINS:

- (1) TWO WAY ADJ SLIDE OUT TRAY W/TOOLBOARD
- (1) 1/2" DEPTH ADJ SLIDE OUT/TILT TRAY
- (1) 120V DUPLEX RECEPTACLE

COMPARTMENT RS5 CONTAINS:

- (1) HORIZONTAL FLOOR EXTENSION
- (1) TWO WAY FLOOR MOUNTED TRAY
- (1) 120V DUPLEX RECEPTACLE
- (1) CAB LIFT CONTROLLER



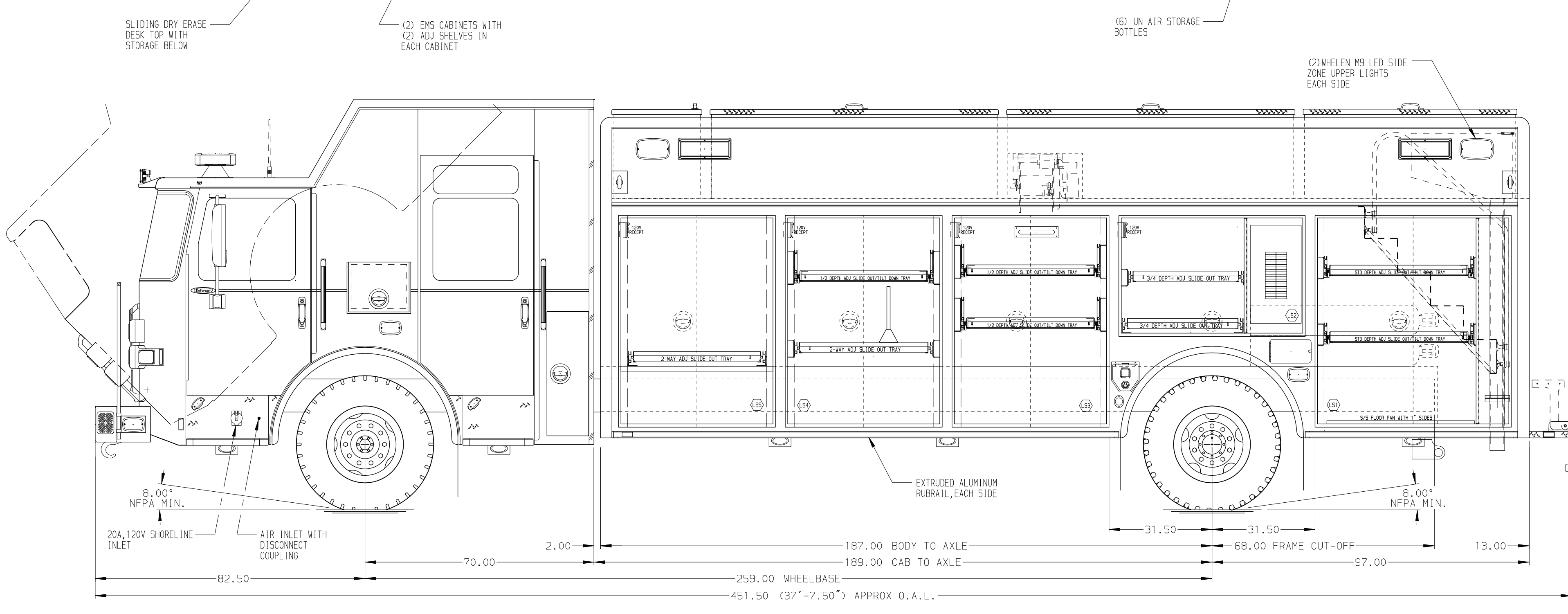
REAR COMPARTMENT CONTAINS THE FOLLOWING:

COMPARTMENT B1 CONTAINS:

- (6) UN BREATHING AIR CYLINDERS

COMPARTMENT B2 CONTAINS:

- (1) RACK FOR 4 SCBA BOTTLES (7.5" X 7.5" SQ. OPENING)



LEFT SIDE COMPARTMENTS CONTAIN THE FOLLOWING:

COMPARTMENT LS1 CONTAINS:

- (1) 5/8" FLOOR PAN WITH 1" SIDES
- (1) OIL DRY HOPPER
- (1) VERTICAL COMPARTMENT DIVIDER
- (2) 5/8" DEPTH ADJ SLIDE OUT/TILT TRAYS
- (1) TOOL MOUNT FOR HYDRAULIC SPREADER
- (1) TOOL MOUNT FOR HYDRAULIC CUTTER

COMPARTMENT LS2 CONTAINS:

- (1) VERTICAL COMPARTMENT DIVIDER
- (1) 3/4" DEPTH FLOOR MTD SLIDE OUT TRAY
- (1) 3/4" DEPTH ADJ SLIDE OUT TRAY
- (1) CIRCUIT BREAKER PANEL
- (1) GENERATOR METER PANEL
- (1) 120V DUPLEX RECEPTACLE

COMPARTMENT LS3 CONTAINS:

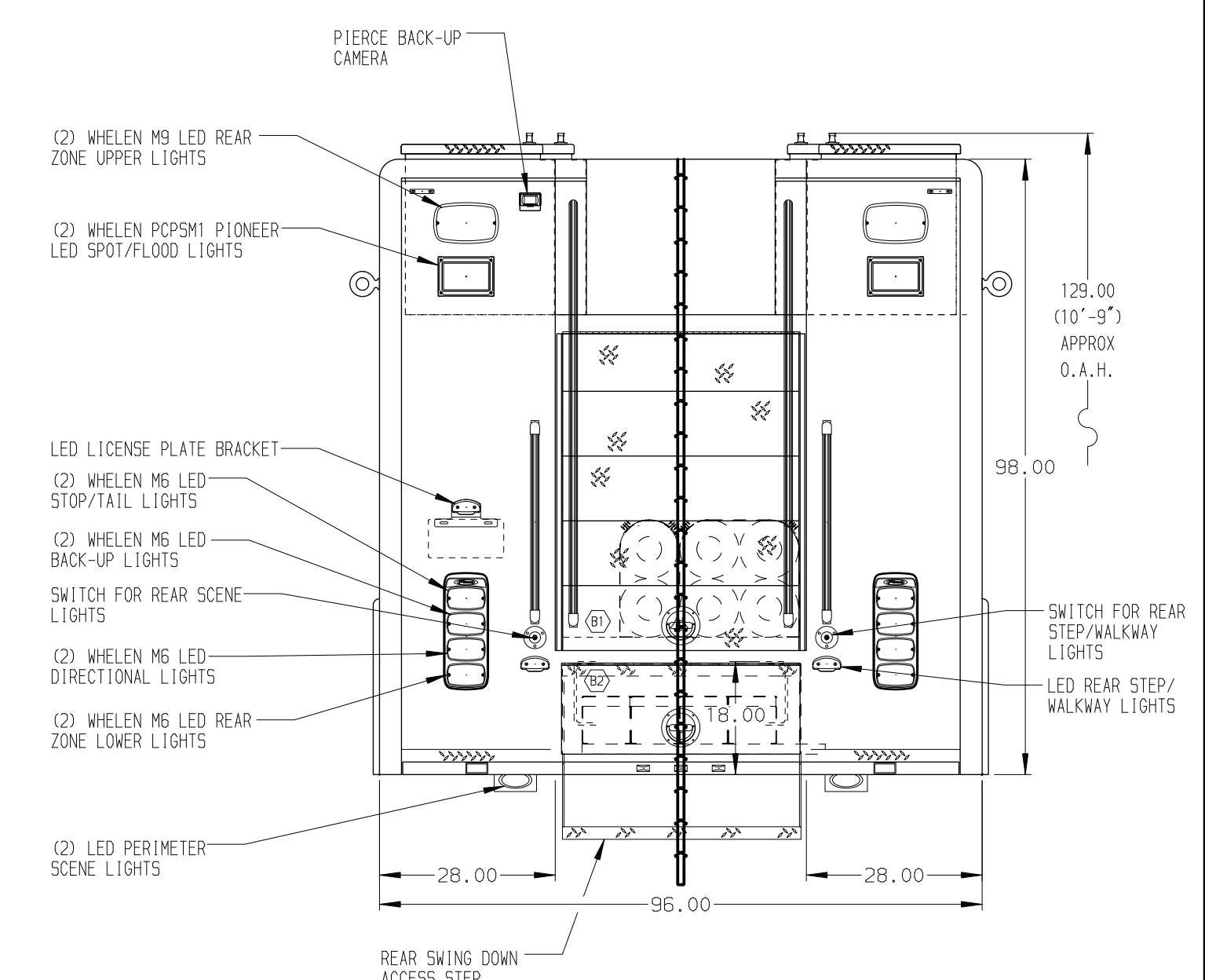
- (2) 1/2" DEPTH ADJ SLIDE OUT/TILT TRAYS
- (1) 120V DUPLEX RECEPTACLE
- (1) 3/4" DEPTH ADJ SLIDE OUT TRAY
- (1) ELECTRIC CORD REEL WITH 200' OF 12/3 YELLOW CORD

COMPARTMENT LS4 CONTAINS:

- (1) TWO WAY ADJ SLIDE OUT TRAY W/TOOLBOARD
- (1) 1/2" DEPTH ADJ SLIDE OUT/TILT TRAY
- (1) 120V DUPLEX RECEPTACLE

COMPARTMENT LS5 CONTAINS:

- (1) HORIZONTAL FLOOR EXTENSION
- (1) TWO WAY FLOOR MOUNTED SLIDE OUT TRAY
- (1) 120V DUPLEX RECEPTACLE



NOTE: LAP DOORS HAVE BEEN SHOWN IN HIDDEN LINES TO CLEARLY IDENTIFY THE EQUIPMENT IN EACH COMPARTMENT. DASHED LINES ON SIDES ARE DOORS IN OPEN POSITION

NOTE:

DIMENSIONS SHOWN ARE APPROXIMATE AND ARE SUBJECT TO MINOR DEVIATIONS AS MAY OCCUR OR BE NECESSARY IN CONSTRUCTION. MINOR DETAILS NOT SHOWN.

- NOTES:**
- ONAN 15KW SINGLE PHASE PTO DRIVEN GENERATOR LOCATED BETWEEN THE FRAME RAILS
 - ONSPOT AUTOMATIC TIRE CHAINS
 - POLISHED 5/8" SCUFFPLATE ON REAR OF ENGINE TUNNEL
 - POLISHED 5/8" SCUFFPLATES ON CAB, CREW CAB DOOR JAMBS AND LOWER REAR COMPARTMENTS
 - POLISHED 5/8" CORNER GUARD SCUFFPLATES ON REAR CAB CORNERS
 - FLOOR IN CAB AND CREW CAB TO BE PADDED RUBBER
 - 15/20A, 120V 4-PLACE RECEPTACLE LOCATED IN EACH EMS CABINET
 - LED STRIP LIGHTS IN ALL BODY, CAB AND HATCH COMPARTMENTS
 - KU55MALL 1200 BATTERY CHARGER BEHIND DRIVER'S SEAT ON EMS CABINET WALL
 - ONAN 15KW SINGLE PHASE PTO DRIVEN GENERATOR LOCATED BETWEEN THE FRAME RAILS
 - BATTERY CHARGER INDICATOR ON DRIVER'S SEAT RISER
 - (2) MAGNETIC DRY ERASE BOARDS ON ROOF SLANT IN CREW CAB

MAXIMUM O.A.L. 40'-0"

MAXIMUM O.A.H. 11'-0"

CLEAR DOOR WIDTH KEY		CHASSIS DATA	
AMOR ROLL UP DOORS:	-2 1/4"	DATE	11FEB19
CURTAIN ROLL UP DOORS:	-2 1/2"	MAKE	ALZ AZU
PIERCE DOUBLE LAP DOORS:	-4 1/4"	PIERCE	20DEC18 ALZ AZU
PIERCE LIFT-UP LAP DOORS:	-1 1/2"	MODEL	05NOV18 ALZ AZU
(EX: 60" F-F - 2 1/4" = 57 3/4" CLEAR)		REV	EN7024
(F-F) = FRAME TO FRAME		DATE	
		BY	
		CH	

		JOB NO.	33111
		SCALE	DATE
TITLE	HEAVY DUTY RESCUE NON-WALKIN	DRAWN BY	DHE 160CT18
FOR	NASHUA FIRE DEPARTMENT NASHUA, NH	CHECKED BY	CDK 180CT18
DWG NO.	33111AD	SHEET SIZE	SHEET NO.
		D	1 OF 1