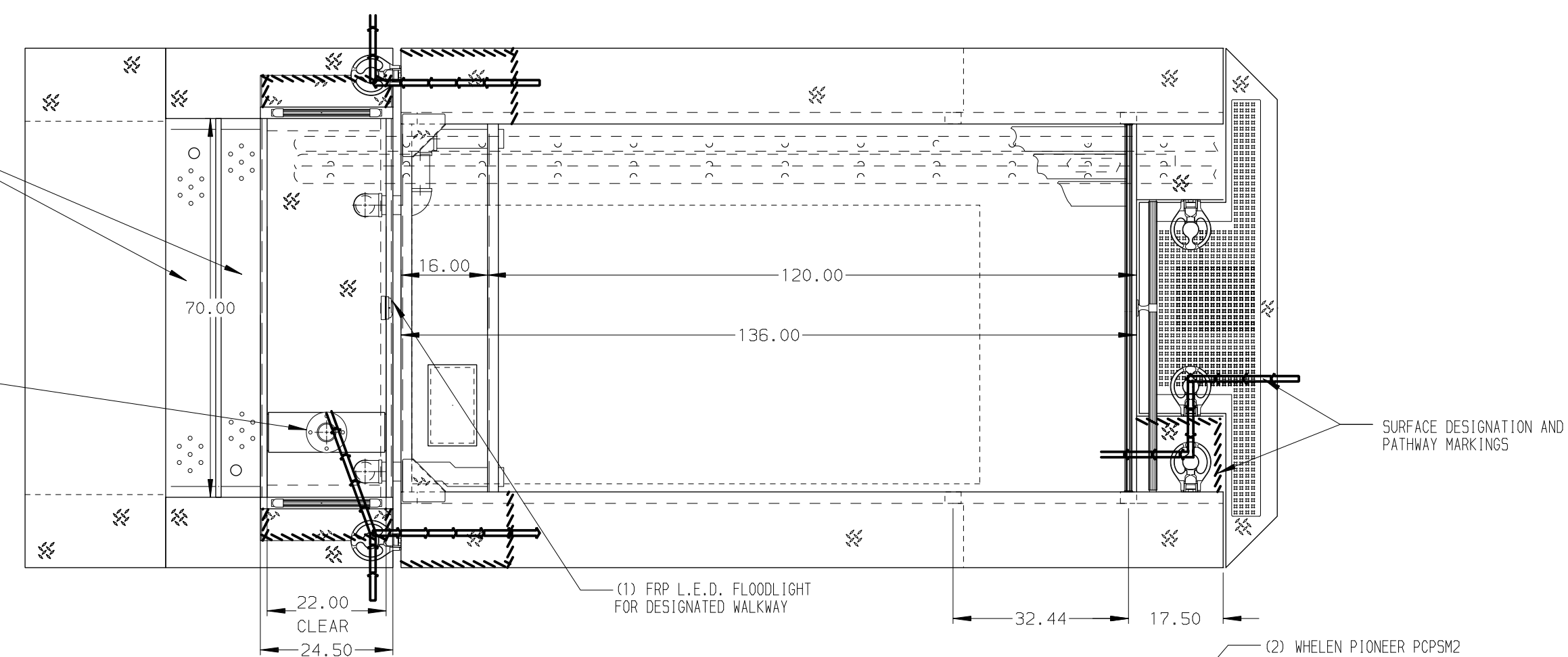
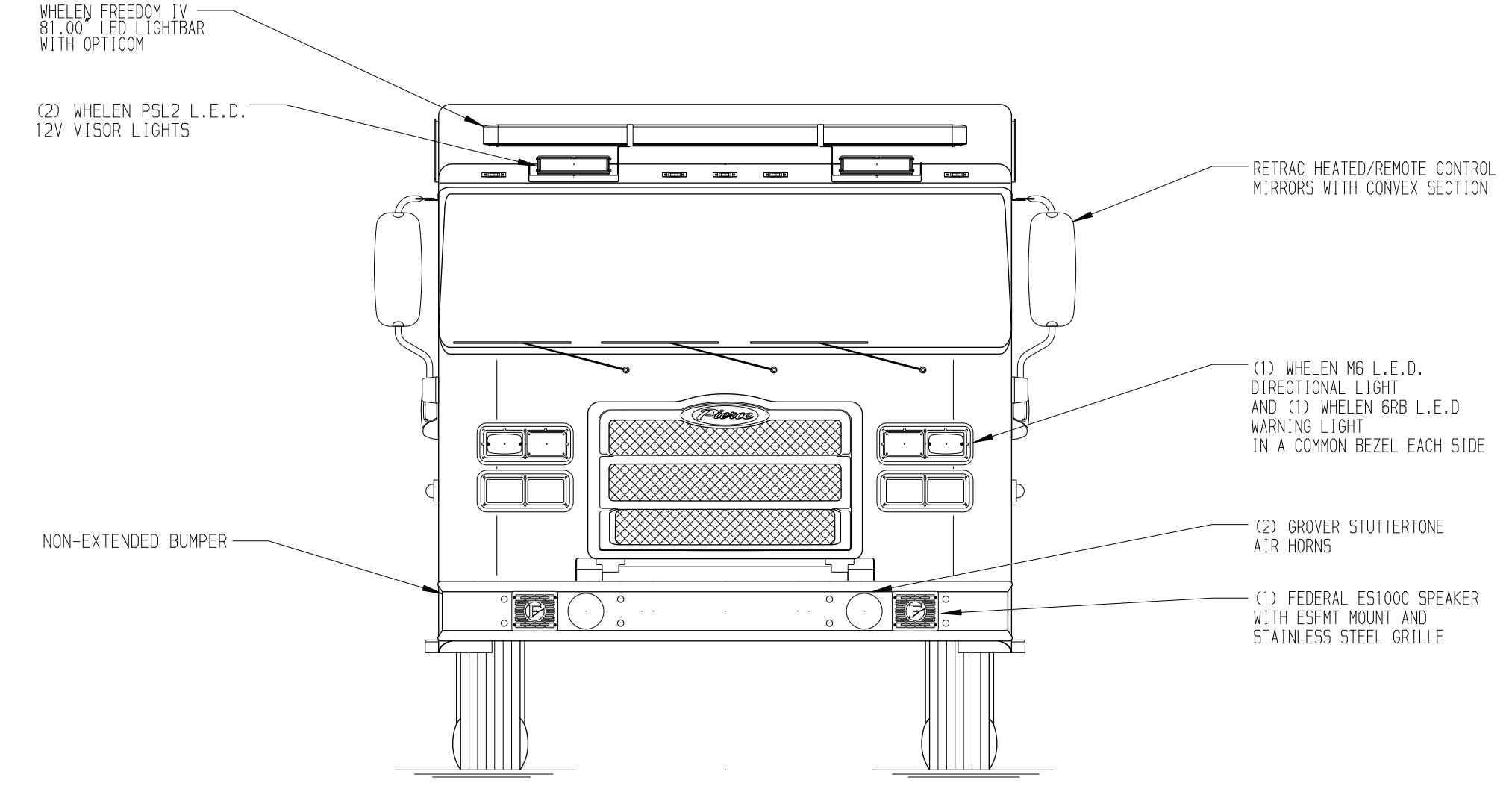
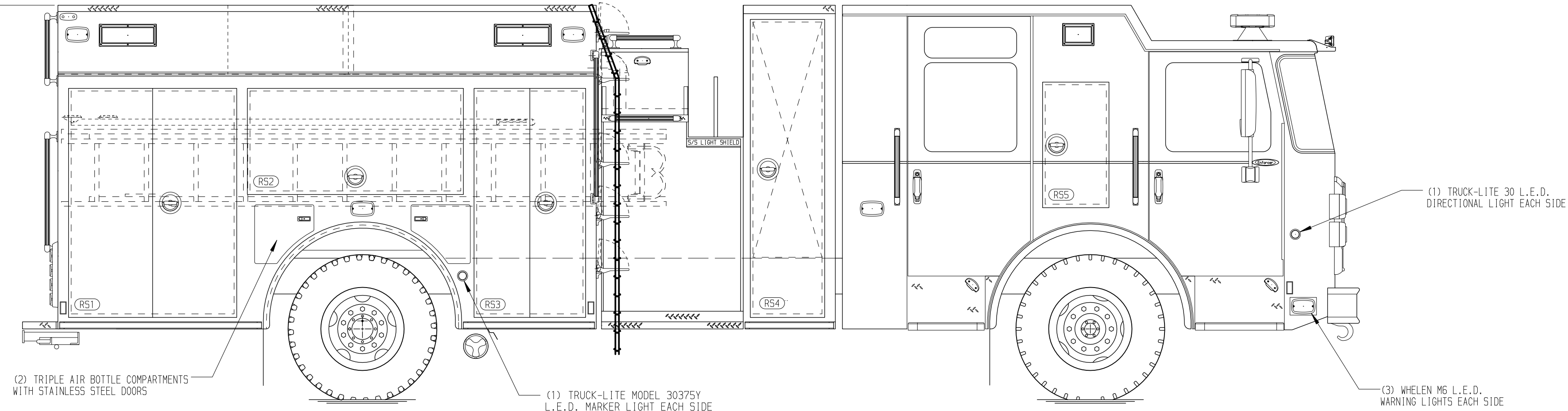
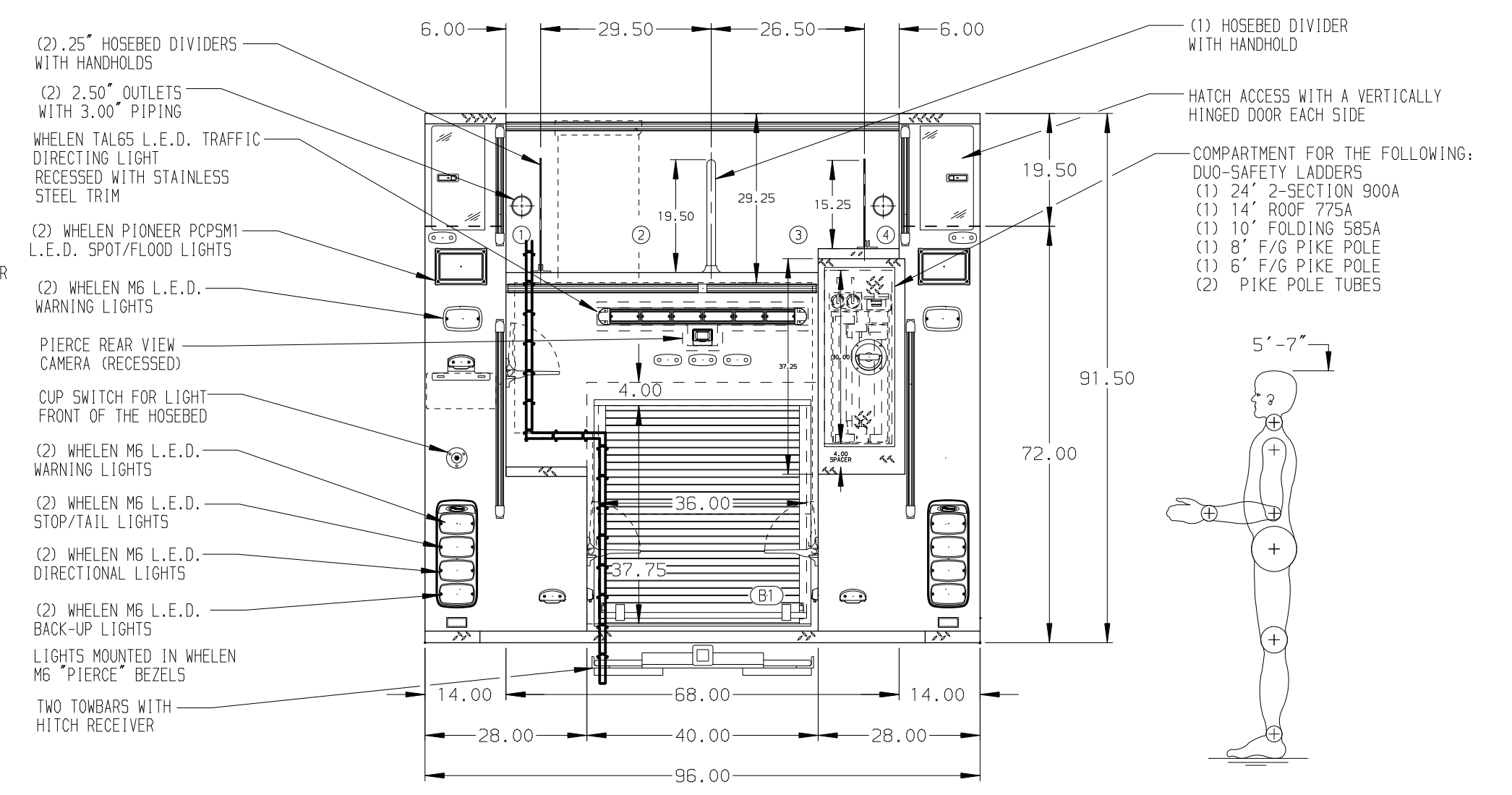
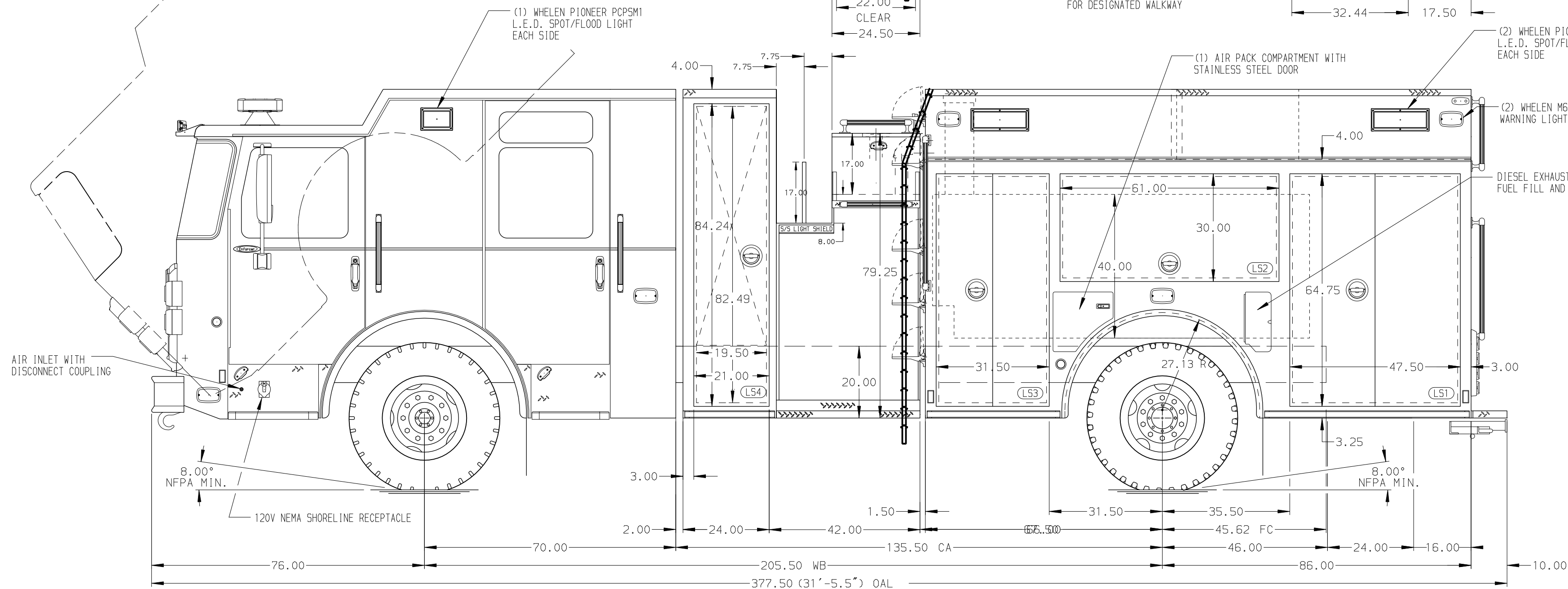


111.00
(9'-3")
APPROX
O.A.H.



- HOSEBED CAPACITIES
- ① 200' OF 1.75" D.J. POLY HOSE
 - ② 1250' OF 2.50" D.J. POLY HOSE
 - ③ 550' OF 5.00" D.J. POLY HOSE
 - ④ 150' OF 1.75" D.J. POLY HOSE



STAINLESS STEEL BODY

NOTE
DIMENSIONS SHOWN ARE APPROXIMATE AND ARE SUBJECT TO MINOR DEVIATIONS AS MAY OCCUR OR BE NECESSARY IN CONSTRUCTION.
MINOR DETAILS NOT SHOWN.

1. BATTERY CHARGER LOCATED BEHIND THE DRIVER SEAT
2. BATTERY CHARGE INDICATOR LOCATED ON DRIVER'S SEAT RISER
3. WHELEN 700CEL2R L.E.D. LIGHT LOCATED AT THE FRONT OF THE HOSE BED
4. 5/8" STYL SCUFFPLATE AROUND AIR BOTTLE COMPRT OPENINGS AND FUEL FILL OPENING
5. POLISHED 5/8" STYL SCUFFPLATE ON DOOR FRAMES OF ALL LIFT UP COMPTS
6. ONE FULL WIDTH/DEPTH ADJUSTABLE SHELF IN COMPARTMENTS L51, L53, R51 AND R53
7. ONE FLOOR MOUNTED SLIDE-OUT TRAY IN COMPARTMENTS L51, L52, L53, R51, R52, R53 AND B1
8. ONE SLIDE-OUT ADJUSTABLE UTILITY TRAY IN COMPARTMENT L54
9. PAC TRAC ON THE REAR WALL OF COMPARTMENTS L51, L52, L53, R51, R52 AND R53
10. TWO 120V NEMA DUPLEX RECEPTACLES IN CAB
11. ONE 120V NEMA DUPLEX RECEPTACLE IN COMPARTMENT L52 MOUNTED ON THE FRONT/FORWARD WALL
12. ONE TOOLBOARD WITH PEG BOARD AND SLIDE-OUT ADJUSTABLE TRAY IN COMPARTMENT L54
13. 4" PIKE POLE LOCATED IN COMPARTMENT (180 AFTER DELIVERY)
14. 5/8" STYL DRIP PAN GUARD ON ROLLUP DOOR IN COMPARTMENT B1

REV	DATE	BY	CH	ENFORCER
09JAN19	LME	EFA		CHASSIS DATA
30NOV18	LME	EFA		MAKE
180CT18	LME	CDU		PIERCE
				MODEL
				ENFORCER

		JOB NO.	33150
		SCALE	DATE
TITLE	1500-D-750 WATER, 152" BODY, FDLR SIDE CONTROL, (2)CROSSLAYS, DELUGE	DRAWN BY	LME 120CT18
FOR	WATERLOO FIRE RESCUE WATERLOO, IOWA	CHECKED BY	CDU 120CT18
DWG NO.	33150AD	SHEET SIZE	SHEET NO.
		D	1 OF 1