

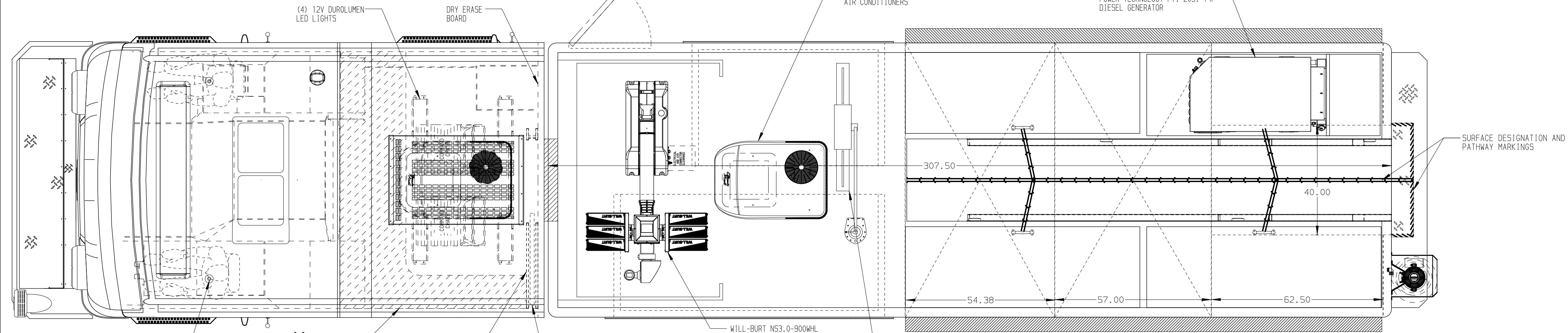
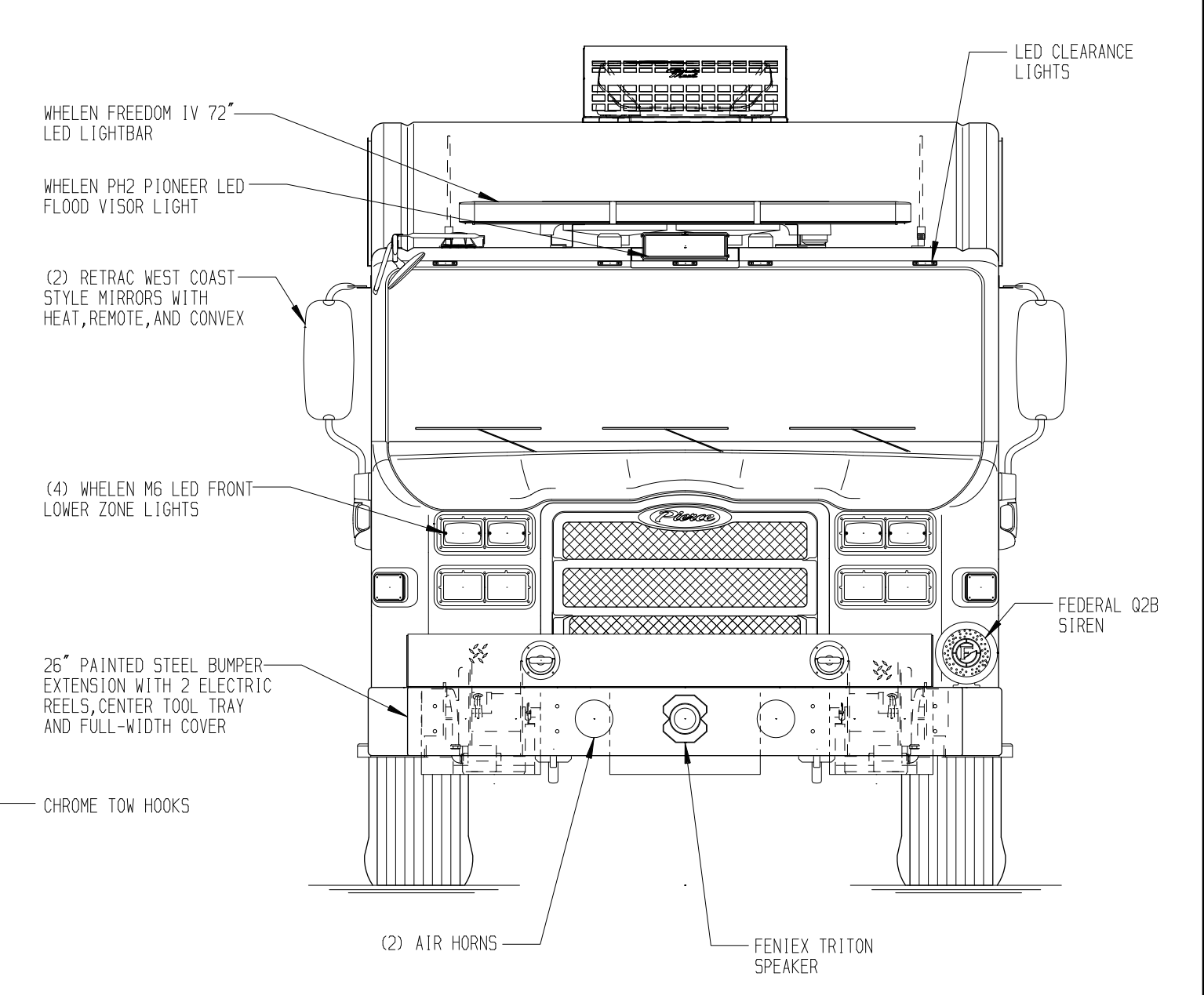
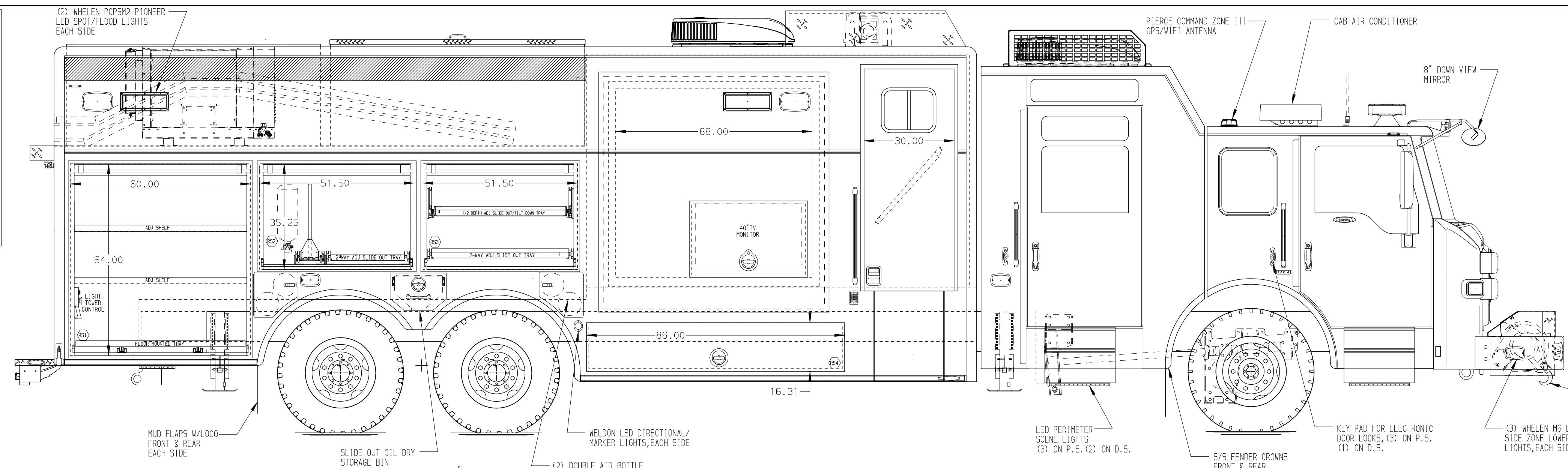
**RIGHT SIDE COMPARTMENTS CONTAIN THE FOLLOWING:**

COMPARTMENT R51 CONTAINS:  
 - (2) STD DEPTH ADJ SHELVES  
 - (1) STD DEPTH FLOOR MOUNTED TRAY  
 - (1) LIGHT TOWER CONTROLLER

COMPARTMENT R52 CONTAINS:  
 - (1) 2-WAY FLOOR MOUNTED SLIDE OUT TRAY  
 - (1) 2-WAY SLIDE OUT TOOLBOARD

COMPARTMENT R53 CONTAINS:  
 - (1) 2-WAY ADJ SLIDE OUT TRAY  
 - (1) 1/2 DEPTH ADJ SLIDE OUT/TILT TRAY

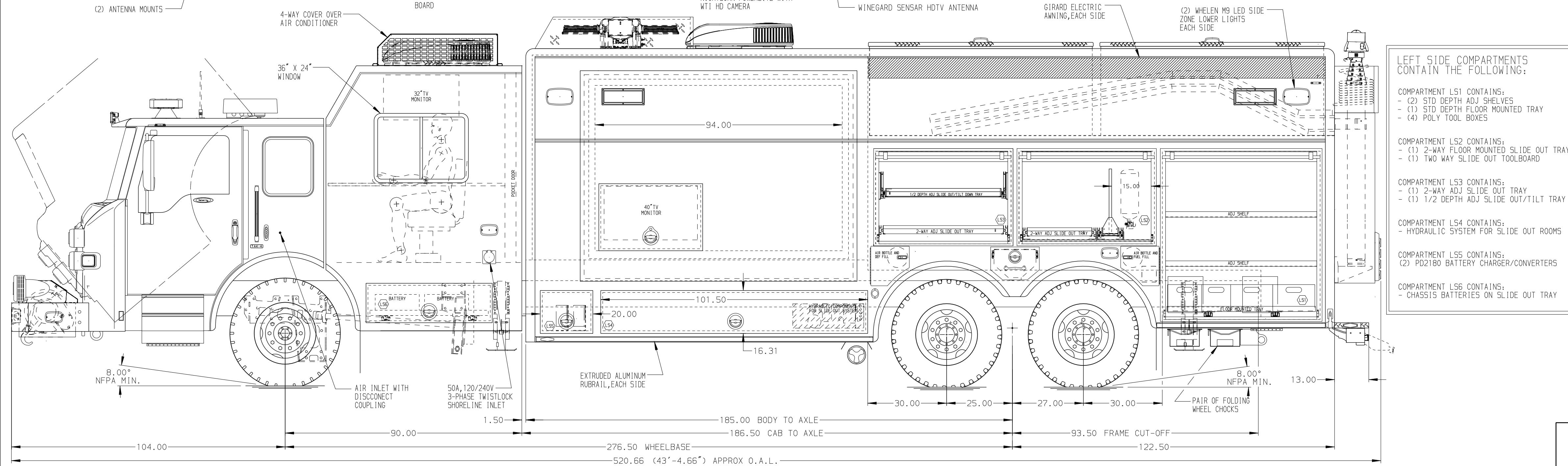
COMPARTMENT R54 CONTAINS:  
 -



SURFACE DESIGNATION AND PATHWAY MARKINGS

**REAR COMPARTMENT CONTAINS THE FOLLOWING:**

COMPARTMENT B1 CONTAINS:  
 - (1) FLOOR MOUNTED TRAY W/SIDE SLIDES



**LEFT SIDE COMPARTMENTS CONTAIN THE FOLLOWING:**

COMPARTMENT L51 CONTAINS:  
 - (2) STD DEPTH ADJ SHELVES  
 - (1) STD DEPTH FLOOR MOUNTED TRAY  
 - (4) POLY TOOL BOXES

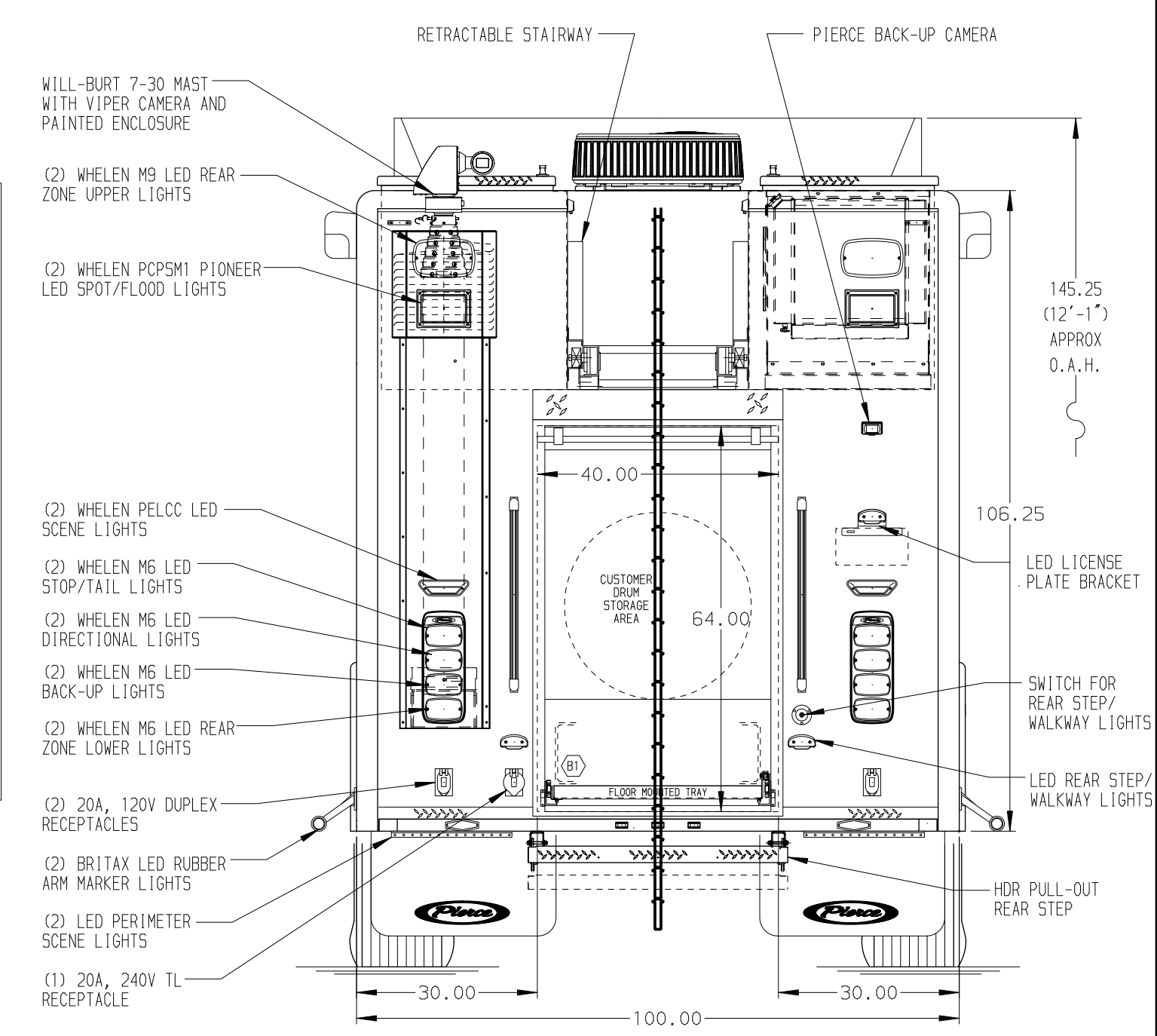
COMPARTMENT L52 CONTAINS:  
 - (1) 2-WAY FLOOR MOUNTED SLIDE OUT TRAY  
 - (1) TWO WAY SLIDE OUT TOOLBOARD

COMPARTMENT L53 CONTAINS:  
 - (1) 2-WAY ADJ SLIDE OUT TRAY  
 - (1) 1/2 DEPTH ADJ SLIDE OUT/TILT TRAY

COMPARTMENT L54 CONTAINS:  
 - HYDRAULIC SYSTEM FOR SLIDE OUT ROOMS

COMPARTMENT L55 CONTAINS:  
 (2) PD2180 BATTERY CHARGER/CONVERTERS

COMPARTMENT L56 CONTAINS:  
 - CHASSIS BATTERIES ON SLIDE OUT TRAY



**NOTE**  
 DIMENSIONS SHOWN ARE APPROXIMATE AND ARE SUBJECT TO MINOR DEVIATIONS AS MAY OCCUR OR BE NECESSARY IN CONSTRUCTION. MINOR DETAILS NOT SHOWN.

**NOTES:**

- (2) 24\"/>

(SIDE ROLL & FRONTAL IMPACT PROTECTION)

CLEAR DOOR WIDTH KEY		REV	DATE	BY	CH	CHASSIS DATA
AMOR ROLL UP DOORS:	-2 1/4"	20MAY19	RCU	AZU		TITLE
CORTITE ROLL UP DOORS:	-2 1/2"	02MAY19	DHE	AZU		HEAVY DUTY RESCUE WALKIN/NON-WALKIN COMBO
PIERCE DOUBLE LAP DOORS:	-4 1/4"	07MAR19	ALZ	AZU	PIERCE	FOR
PIERCE LIFT-UP LAP DOORS:	-1 1/2"	12DEC18	DHE	AZU		CITY OF PELHAM PELHAM, AL
(EX: 60\"/>						

		JOB NO.	33168
		SCALE	1:24
TITLE HEAVY DUTY RESCUE WALKIN/NON-WALKIN COMBO		DRAWN BY	DHE
		CHECKED BY	AZU
DWG NO.		DATE	21NOV18
		DATE	26NOV18
33168AD-SH1		SHEET SIZE	D
		SHEET NO.	1 OF 1