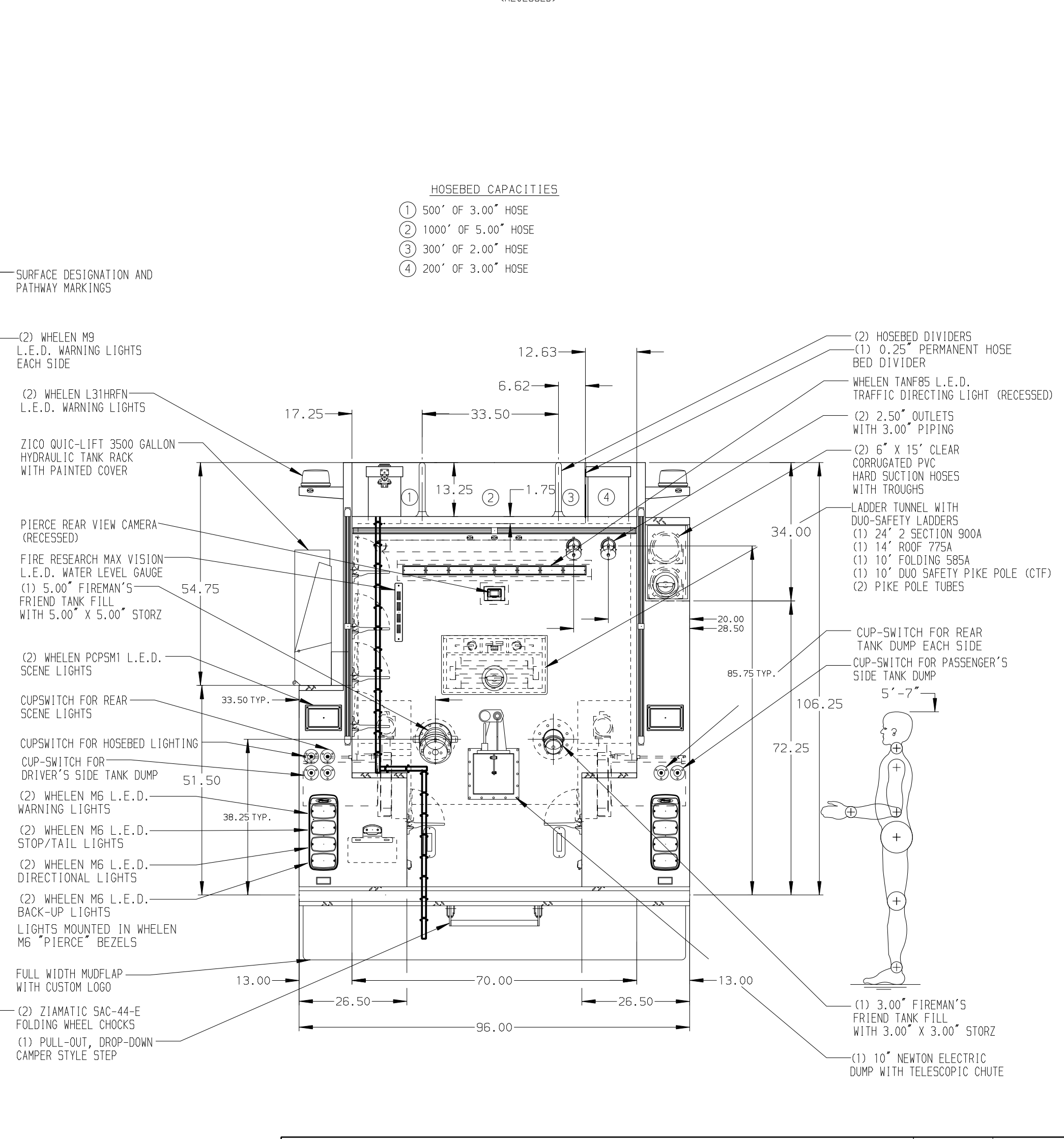
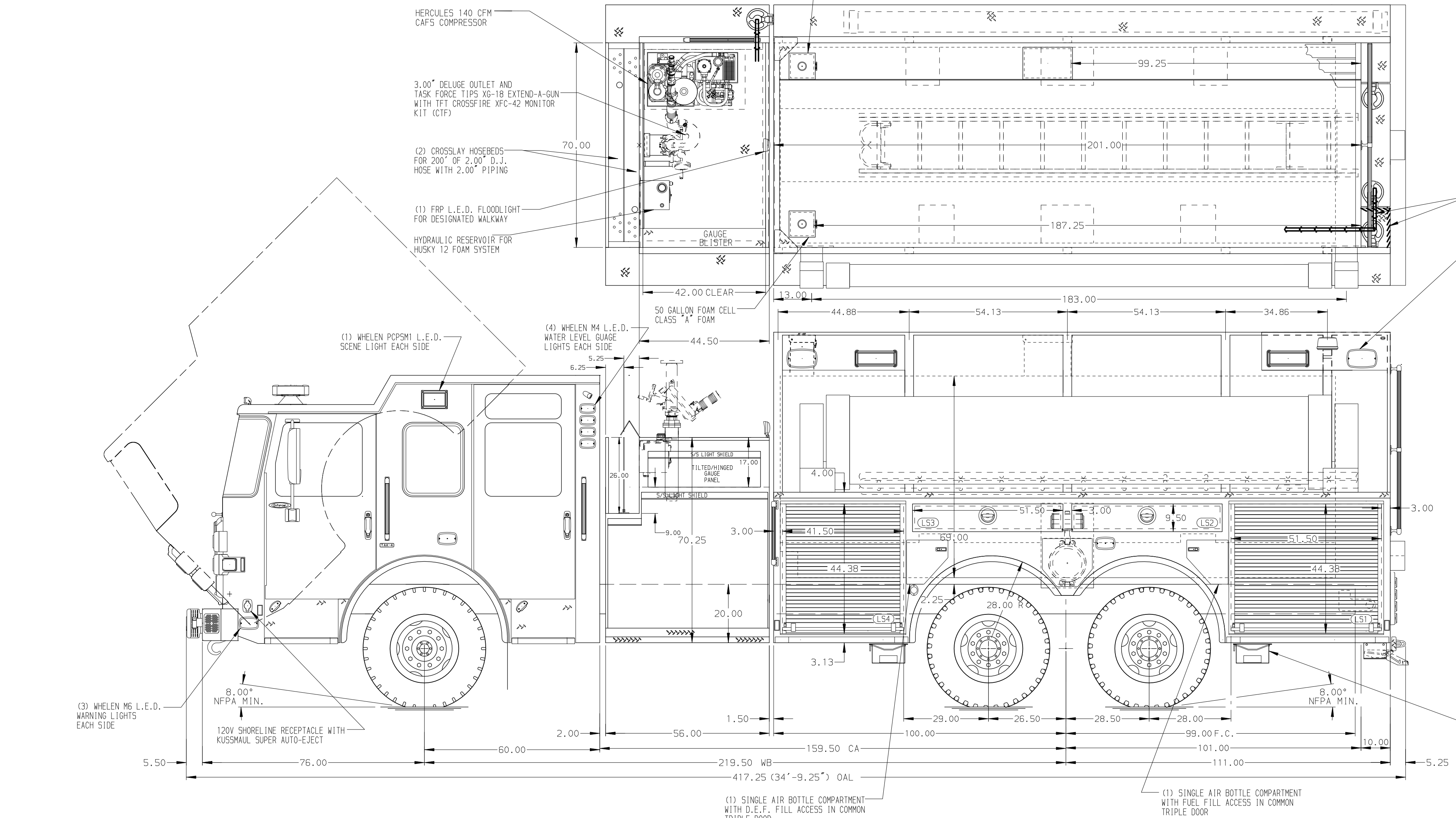


- HOSEBED CAPACITIES
- ① 500' OF 3.00" HOSE
 - ② 1000' OF 5.00" HOSE
 - ③ 300' OF 2.00" HOSE
 - ④ 200' OF 3.00" HOSE



ALUMINUM BODY

SIDE ROLL AND FRONTAL IMPACT PROTECTION

NOTE
DIMENSIONS SHOWN ARE APPROXIMATE AND ARE SUBJECT TO MINOR DEVIATIONS AS MAY OCCUR OR BE NECESSARY IN CONSTRUCTION. MINOR DETAILS NOT SHOWN.

1. ONSPO AUTOMATIC TIRE CHAINS TO BE PROVIDED AT REAR
2. BATTERY CHARGER LOCATED BEHIND DRIVER SEAT
3. BATTERY CHARGER INDICATOR LOCATED ON DRIVER'S SEAT RISER
4. DUAL L.E.D. LIGHT STRIPS LOCATED IN HOSE BED
5. ONE ADJUSTABLE LOW SIDE 1.00" HIGH SHELF IN LS4
6. ADJUSTABLE FULL WIDTH DEPTH SHELVES TWO IN RS1 AND ONE IN LS1
7. ONE ALUMINUM SWING-OUT TOOLBOARD WITH PAC TRAC IN RS2
8. PAC TRAC INSTALLED ON THE BACK WALL OF LS4, RS2, AND RS3
9. OPEN TOP/FRONT HOSE STORAGE RACK WITH 4-SLOTS IN LS4
10. STORAGE BIN FOR 6 AIR BOTTLES IN LS1

11. ONE 120V NEMA DUPLEX RECEPTACLE ON THE DRIVER'S SIDE OF THE ENGINE TUNNEL
12. ONE 120V DUPLEX RECEPTACLE IN RS1 AND RS4

REV	DATE	BY	CH	ENFORCER
04APR19	LST	DTS		CHASSIS DATA
18MAR19	LST	DTS		MAKE
22FEB19	LST	DTS		PIERCE
14JAN19	LST	DTS		MODEL
26DEC18	KLE	KW1		

		JOB NO.	33172
		SCALE	1:24
TITLE 2250-D-2875P, 2800 GAL OF WATER W/ 25 & 50 GAL FOAM 211" TANKER, LADDERS THRU TANK, (2) CROSSLAYS		DRAWN BY	LST
		CHECKED BY	NPA
FOR MARSHALL'S CREEK VOLUNTEER FIRE COMPANY MARSHALL'S CREEK, PENNSYLVANIA		DATE	150CT18
		SHEET SIZE	D
DWG NO. 33172AD		CHECKED BY	NPA
		SHEET NO.	1 OF 1