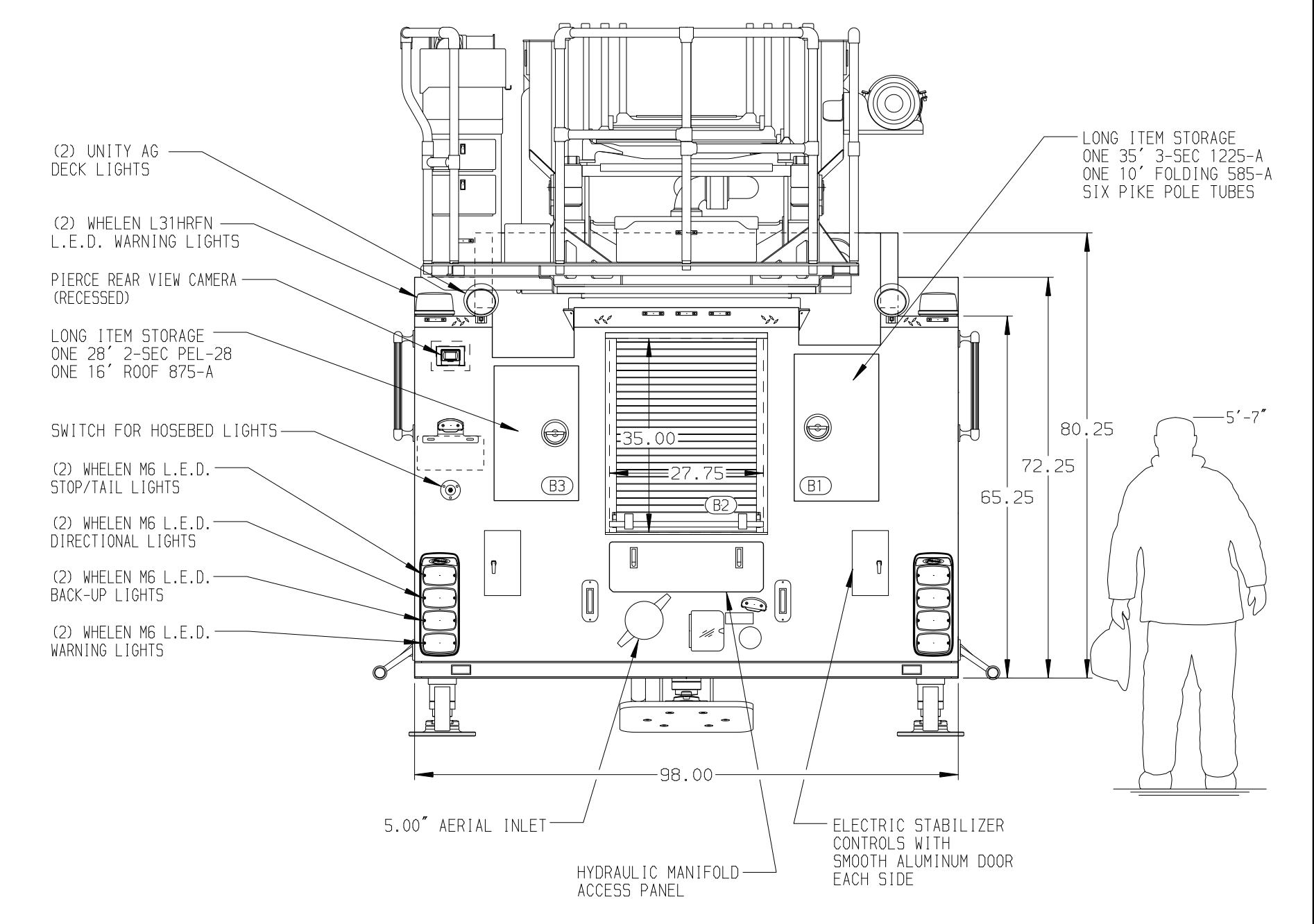


BODY 107' ASL Aluminum Body COMPT, LEFT SIDE FRONT Full Height RollUp Forward COMPT, LEFT SIDE REAR Full Height RollUp Rearward COMPT, RIGHT SIDE FRONT Full Height RollUp Forward COMPT, RIGHT SIDE REAR Full Height RollUp Rearward	WATER TANK 500 Gallon Poly Water Tank Foam System Foam System Not Required Foam Cell Foam Cell Not Required
---	---



CHASSIS Enforcer Chassis 450 HP Cummins L9 Engine	CAB 7000 Enforcer Cab BUMPER 16" Extended Stainless Steel	AXLE, FRONT, CUSTOM 20,000 Lb Dana Axle AXLE, REAR 33,500 Lb Meritor Axle	TRANSMISSION Allison 5th Gen, 3000 EVS P	PUMPHOUSE 52" Control Zone Side Mount PUMP 2000 GPM Hale QMAX-200	CROSSLAYS, 1.50" (2) 1.50" Standard Capacity DEADLAY 200' of 2.50" D.J. Hose	SPEEDLAYS Speedlays Not Required GENERATOR Harrison 8kW MCR Hydraulic	
--	--	--	--	--	---	--	--

NOTE
DIMENSIONS SHOWN ARE APPROXIMATE AND ARE SUBJECT TO MINOR DEVIATIONS AS MAY OCCUR OR BE NECESSARY IN CONSTRUCTION. MINOR DETAILS NOT SHOWN.

- ONE 1.50 OUTLET WITH 2.00 PIPING AND SWIVEL LOCATED ON THE RIGHT SIDE OF THE FRONT BUMPER
- SHORELINE RECEPTACLE WITH KUSSMALL SUPER AUTO-EJECT LOCATED BEHIND THE LEFT SIDE CREW CAB DOOR
- BATTERY CHARGER LOCATED IN COMPARTMENT PER SHOP ORDER
- BATTERY CHARGE INDICATOR LOCATED ON THE DRIVER SIDE SEAT RISER
- SEVEN ADJUSTABLE SHELVES IN COMPARTMENTS PER SHOP ORDER
- THREE FLOOR MOUNTED SLIDE-OUT TRAYS IN COMPARTMENTS PER SHOP ORDER IN COMPARTMENTS PER SHOP ORDER
- ONE SWING-OUT ALUMINUM TOOL BOARD IN COMPARTMENT PER SHOP ORDER
- ONE SLIDE-OUT TOOL BOARD WITH PEGBOARD PATTERN IN COMPARTMENT PER SHOP ORDER
- CIRCUIT BREAKER PANEL MOUNTED IN COMPARTMENT PER SHOP ORDER

- NON-RAISED AERIAL PEDESTAL
- 1500 GPM HIGH FLOW WATERWAY

		JOB NO.	33200
		SCALE	DATE
TITLE	107' ASCENDANT AERIAL LADDER AND BODY ASSEMBLY	DRAWN BY	TKA
MAKE	PIERCE	CHECKED BY	GRM
FOR	GREENWOOD COUNTY FIRE SERVICE	SHEET SIZE	SHEET NO.
DWG NO.	33200AD	D	1 OF 1

REV	DATE	BY	CH	ENFORCER
11FEB19	TKA	KBO		
12DEC18	TKA	SHE		