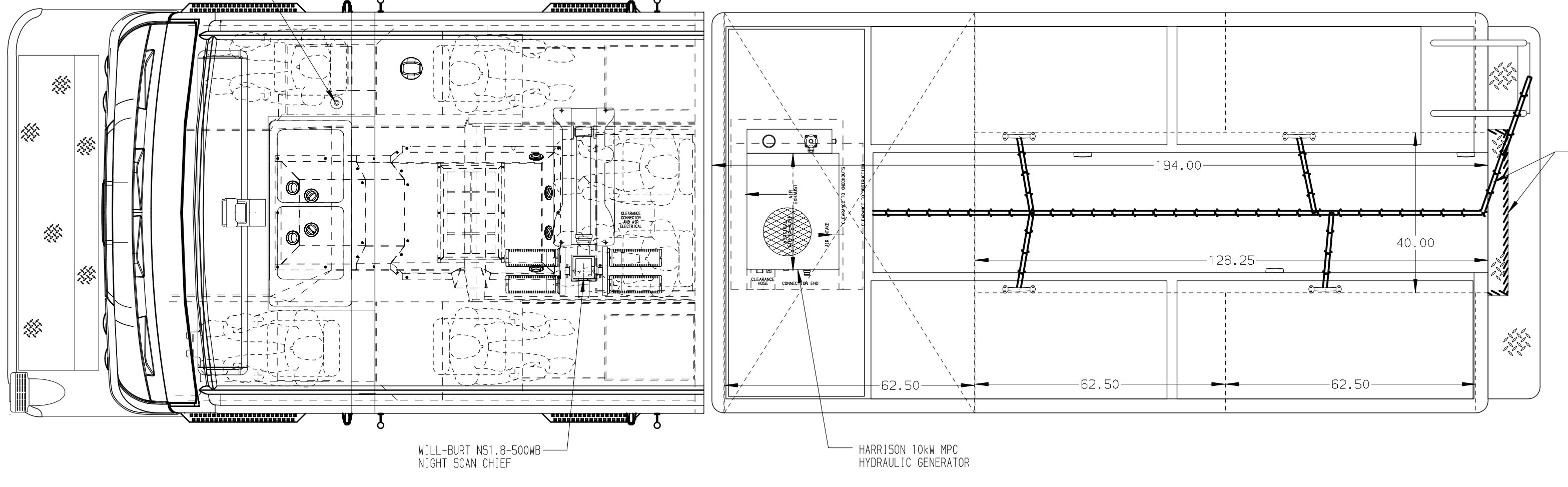
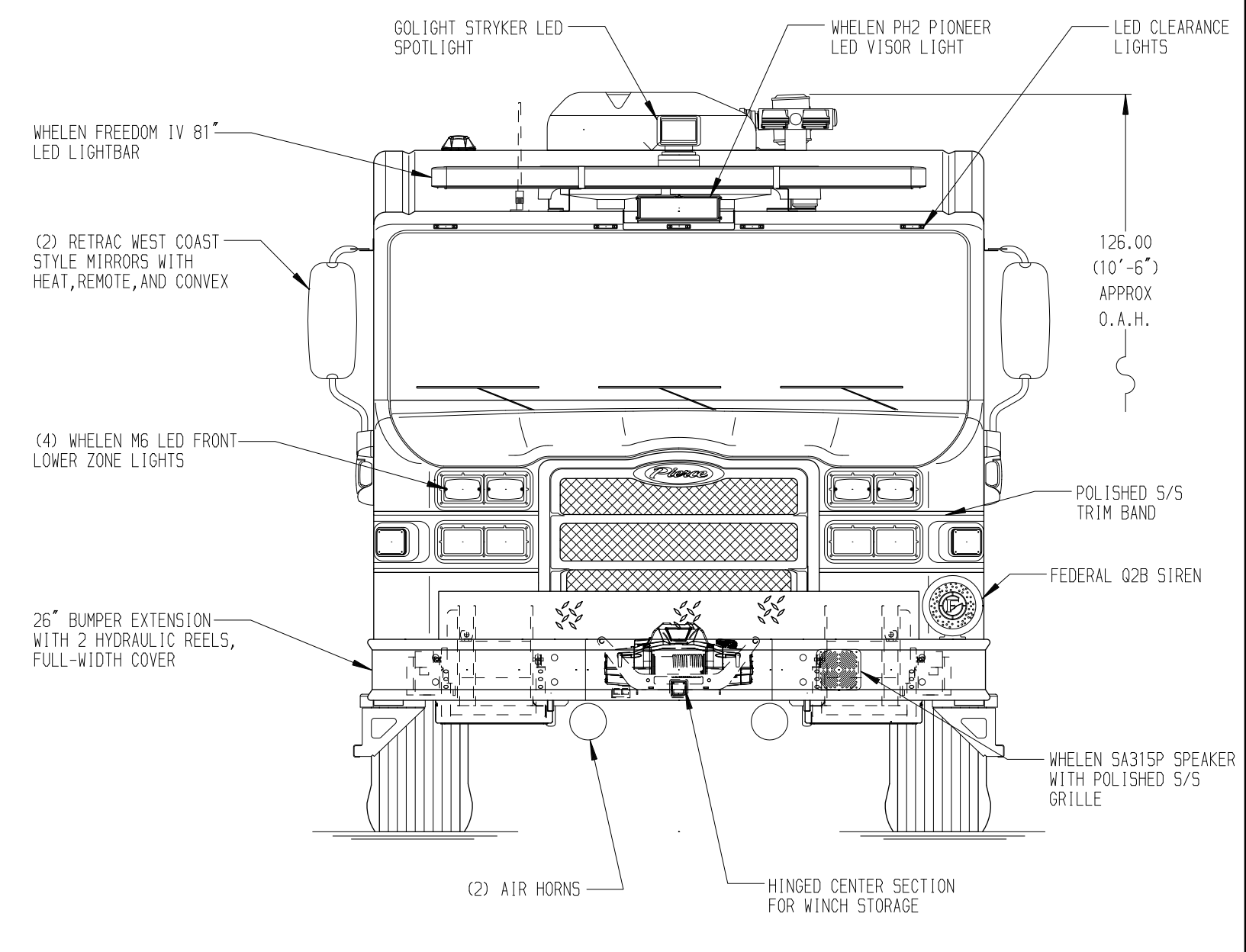
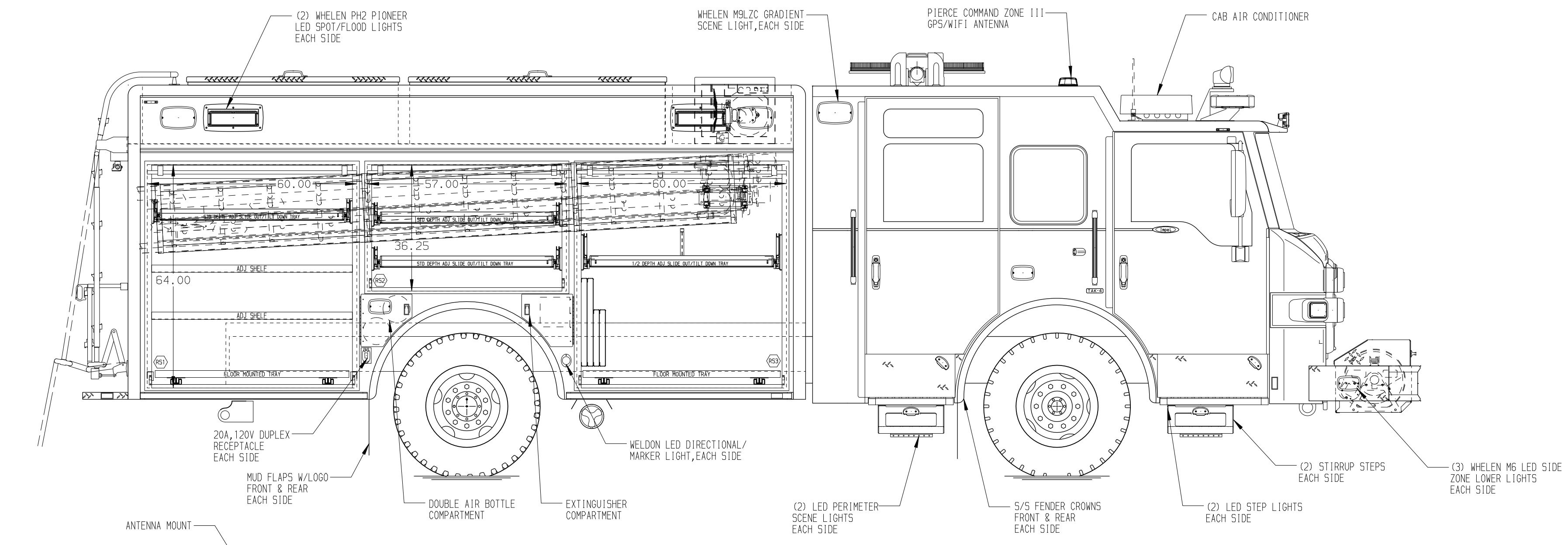


RIGHT SIDE COMPARTMENTS CONTAIN THE FOLLOWING:

COMPARTMENT R51 CONTAINS:
 - (2) STD DEPTH ADJ SHELVES
 - (1) STD DEPTH ADJ SLIDE OUT/TILT TRAY
 - (1) STD DEPTH FLOOR MOUNTED TRAY
 - ELECTRONIC DOOR LOCKS

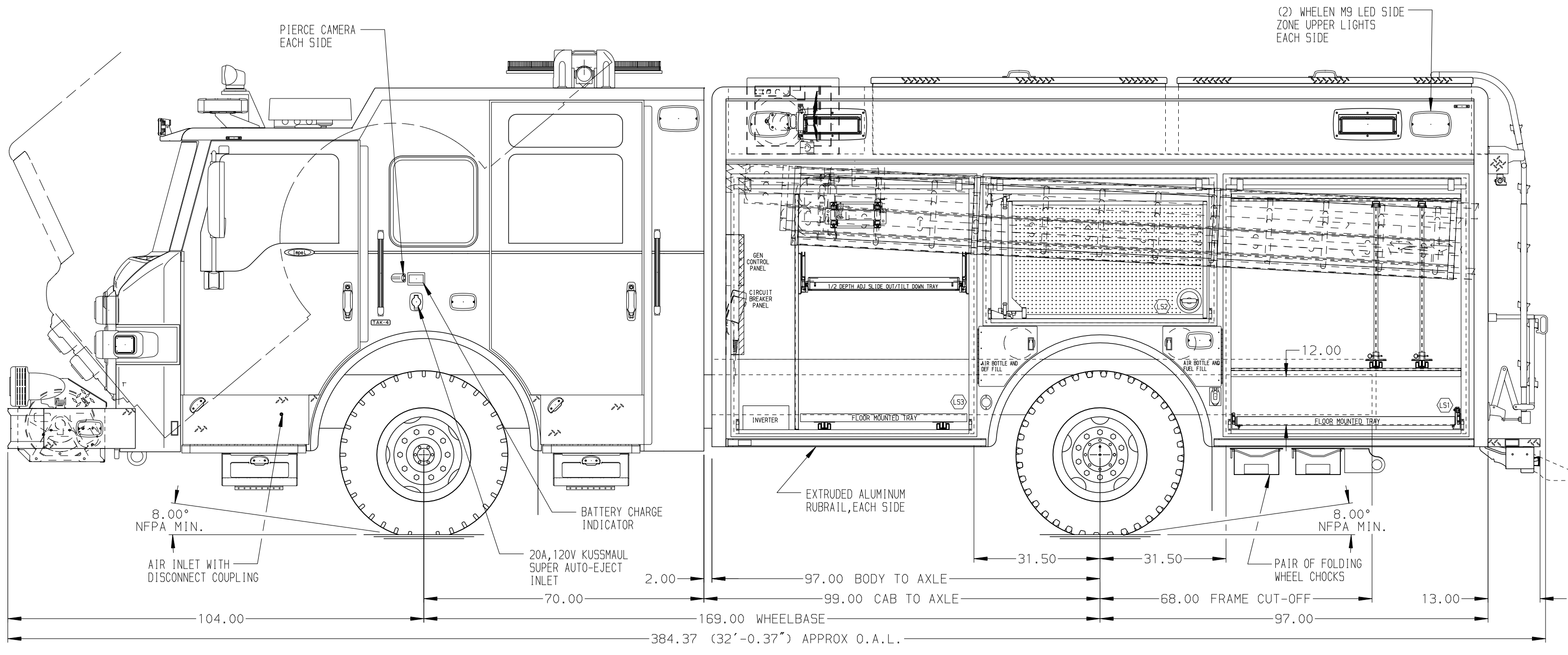
COMPARTMENT R52 CONTAINS:
 - (2) STD DEPTH ADJ SLIDE OUT/TILT TRAYS

COMPARTMENT R53 CONTAINS:
 - (1) 1/2 DEPTH ADJ SLIDE OUT/TILT TRAY WITH TOOLBOARD
 - (1) ELECTRIC CORD REEL WITH 200' OF 10/3 YELLOW CORD
 - (1) STD DEPTH FLOOR MOUNTED TRAY
 - (1) RACK FOR 4 AIR BAGS



REAR COMPARTMENT CONTAINS THE FOLLOWING:

COMPARTMENT B1 CONTAINS:
 - (1) RACK FOR THE FOLLOWING:
 - (1) 35' 3-SECTION LADDER
 - (1) 14' ROOF LADDER
 - (1) 24' 2-SECTION LADDER
 - (1) 10' FOLDING LADDER
 - (8) PIKE POLES
 - (1) 122" DP FLOOR MOUNTED SLIDE OUT TRAY WITH TOOLBOARDS
 - (2) BACKBOARD RACKS

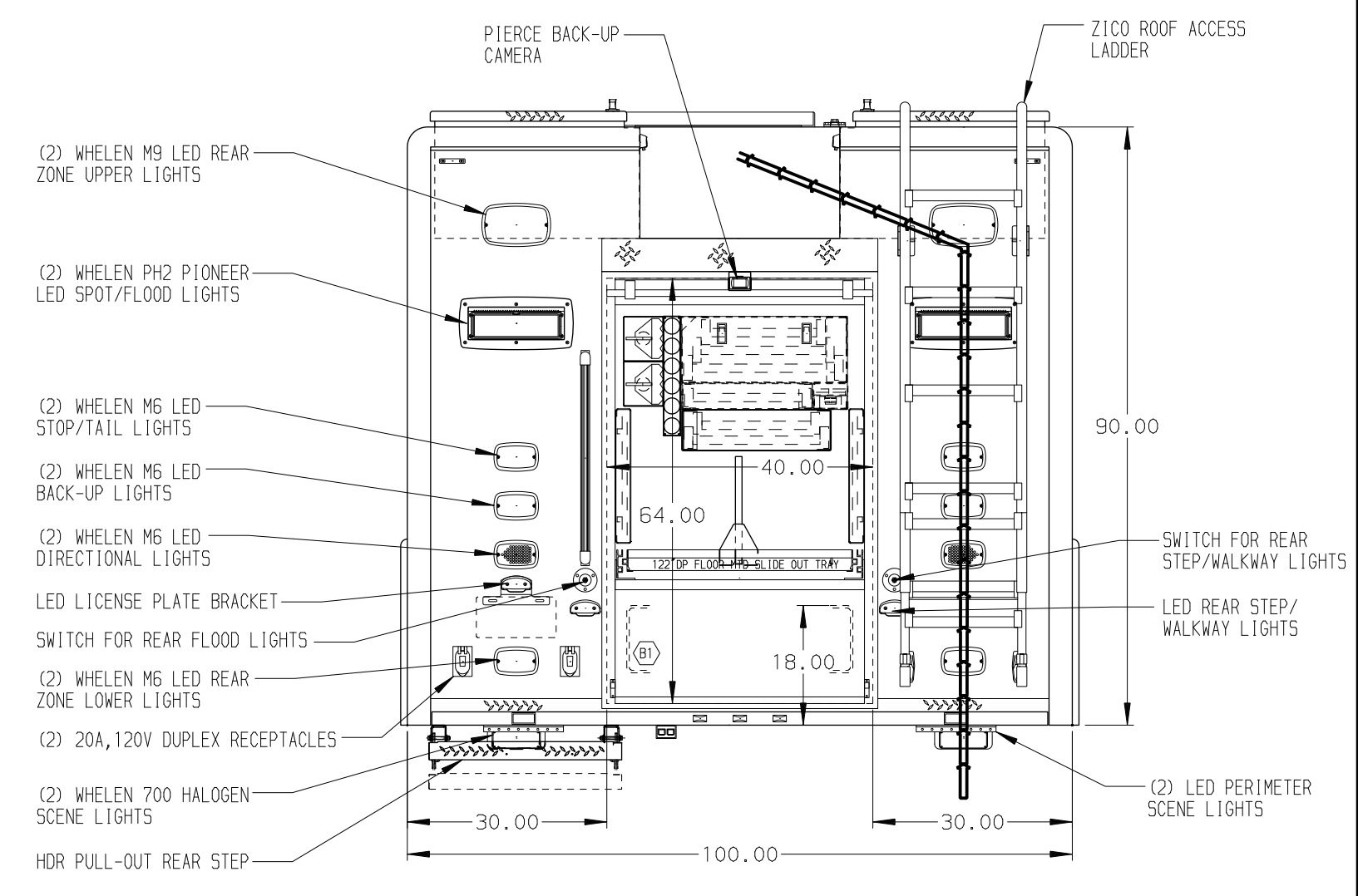


LEFT SIDE COMPARTMENTS CONTAIN THE FOLLOWING:

COMPARTMENT L51 CONTAINS:
 - (2) STD DEPTH ADJ SLIDE OUT TOOLBOARDS
 - (1) STD DEPTH FLOOR MOUNTED TRAY WITH SIDE SLIDES
 - (1) HORIZONTAL FLOOR EXTENSION

COMPARTMENT L52 CONTAINS:
 - (2) SWING OUT TOOLBOARDS

COMPARTMENT L53 CONTAINS:
 - (1) IOTA 75AMP BATTERY CHARGER
 - (1) 1/2 DEPTH ADJ SLIDE OUT/TILT TRAY
 - (1) VERTICAL COMPARTMENT DIVIDER
 - (1) VANNER INVERTER/CHARGER
 - (1) CIRCUIT BREAKER PANEL
 - (1) GENERATOR METER PANEL
 - (1) ELECTRIC CORD REEL WITH 200' OF 10/3 YELLOW CORD
 - (1) STD DEPTH FLOOR MOUNTED TRAY
 - (1) NIGHT SCAN CONTROLLER



NOTE
 DIMENSIONS SHOWN ARE APPROXIMATE AND ARE SUBJECT TO MINOR DEVIATIONS AS MAY OCCUR OR BE NECESSARY IN CONSTRUCTION. MINOR DETAILS NOT SHOWN.

- NOTES:**
- POLISHED 5/5 SCUFFPLATES ON CAB AND CREW CAB DOOR JAMBS
 - FLOOR IN CAB AND CREW CAB TO BE PADDED RUBBER
 - DAVID CLARK 6-POSITION INTERCOM SYSTEM
 - PIERCE DUAL LED LIGHTS IN ALL BODY AND HATCH COMPARTMENTS
 - 5/5 ROLL-UP DOOR DRIP GUARDS
 - (1) 15/20A, 120V DUPLEX RECEPTACLE ON REAR WALL OF CREW CAB

SIDE ROLL AND FRONTAL IMPACT PROTECTION

CLEAR DOOR WIDTH KEY		CHASSIS DATA
AMOR ROLL UP DOORS:	-2 1/4"	08MAY19 DHE AZU MAKE
CORTITE ROLL UP DOORS:	-2 1/2"	15MAR19 DHE AZU PIERCE
PIERCE DOUBLE LAP DOORS:	-4 1/4"	22JAN19 ALZ AZU MODEL
PIERCE LIFT-UP LAP DOORS:	-1 1/2"	REV DATE BY CH
(EX: 60" F-F - 2 1/4" = 57 3/4" CLEAR)		IMFR7010
(F-F) = FRAME TO FRAME		

		JOB NO.	33213
		SCALE	DATE
TITLE	HEAVY DUTY RESCUE NON-WALKIN	DRAWN BY	DHE 07JAN19
FOR	TOLLESON FIRE DEPARTMENT TOLLESON, AZ	CHECKED BY	AZU 07JAN19
DWG NO.	33213AD	SHEET SIZE	SHEET NO.
			1 OF 1