

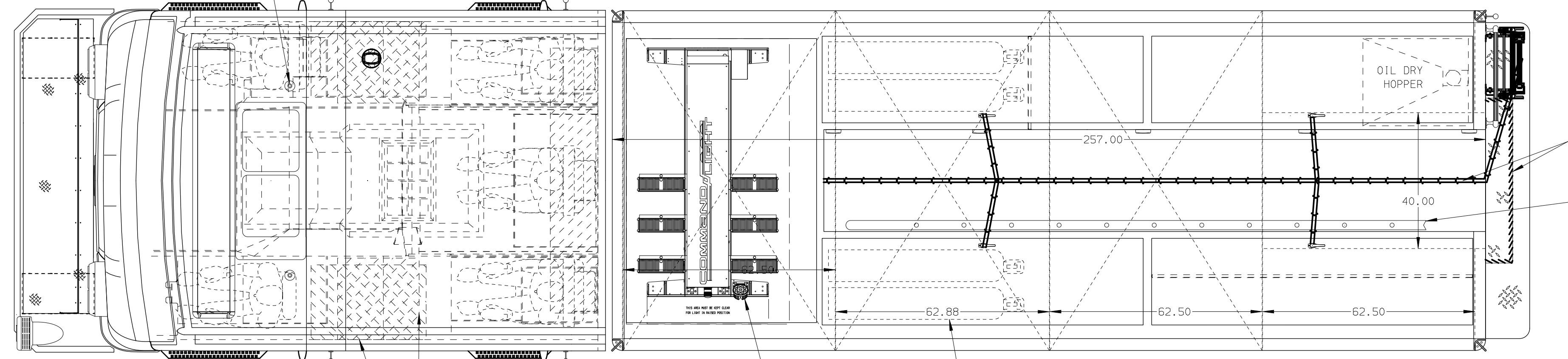
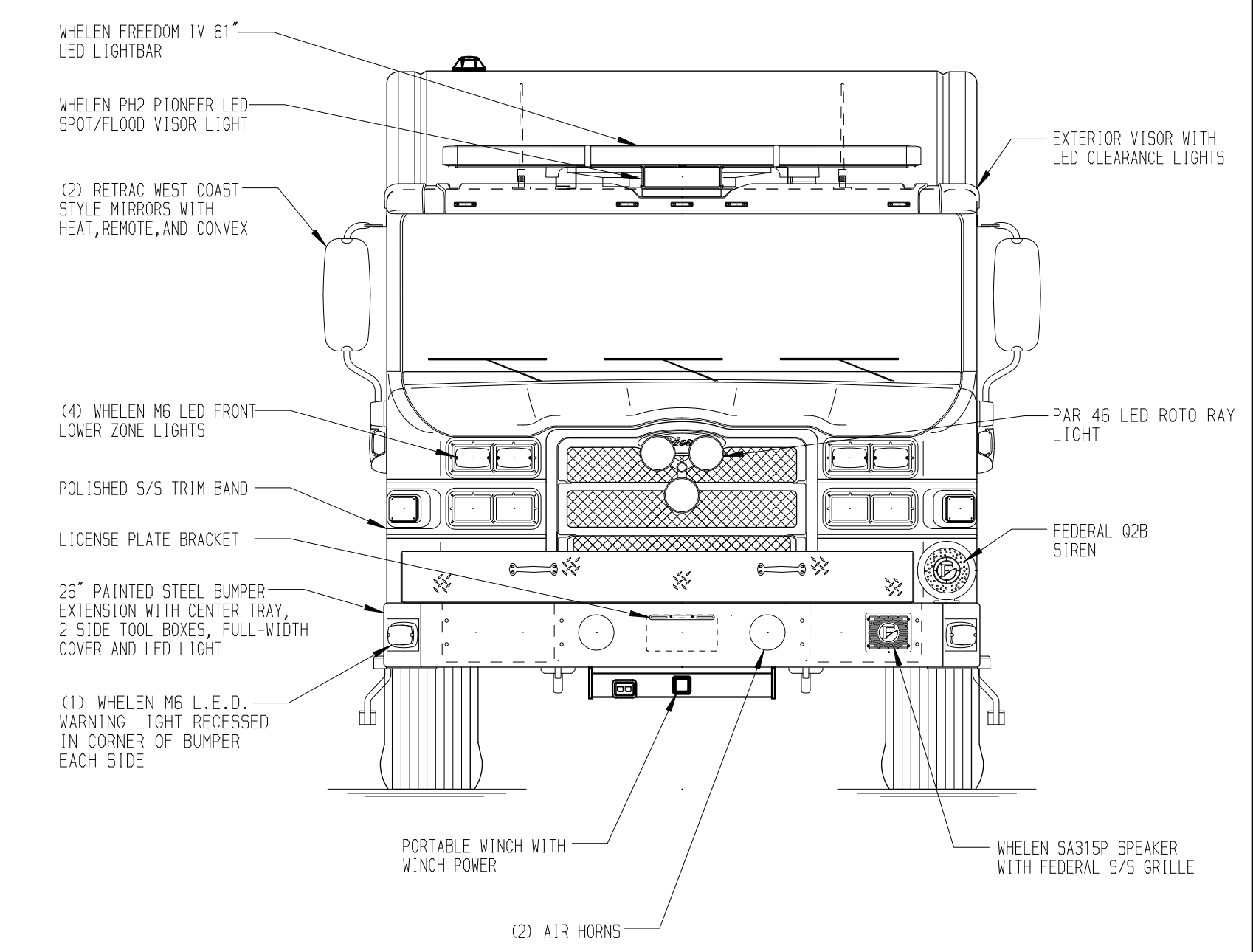
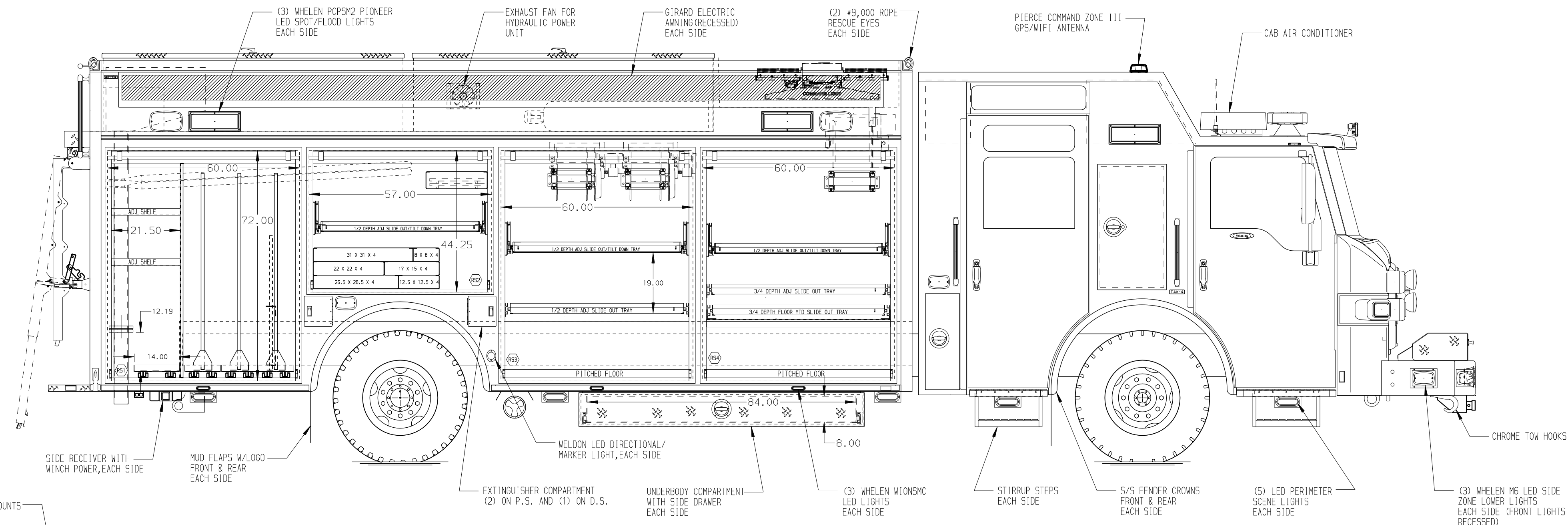
RIGHT SIDE COMPARTMENTS CONTAIN THE FOLLOWING:

COMPARTMENT R51 CONTAINS:
 - (1) VERTICAL COMPARTMENT DIVIDER
 - (2) STD DEPTH ADJ SHELVES
 - (3) FLOOR MOUNTED TRAYS WITH TOOLBOARDS
 - (1) OIL DRY HOPPER
 - (1) RACK FOR PICKETS ON TOOLBOARD
 - (1) STD DEPTH FLOOR MOUNTED TRAY

COMPARTMENT R52 CONTAINS:
 - (1) RACK FOR BACKBOARDS
 - (1) 6-SLOT AIR BAG RACK
 - (1) 1/2 DEPTH ADJ SLIDE OUT/TILT TRAY

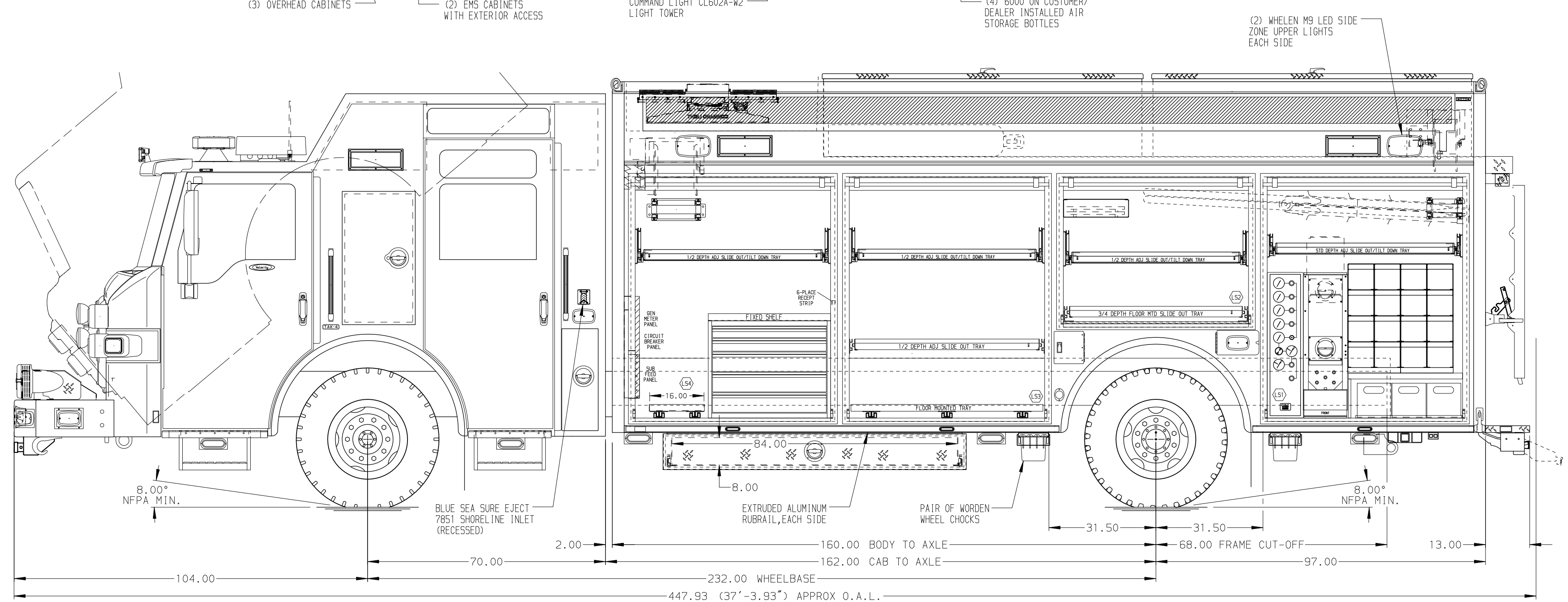
COMPARTMENT R53 CONTAINS:
 - PITCHED COMPARTMENT FLOOR
 - (1) 1/2 DEPTH ADJ SLIDE OUT TRAY
 - (1) 1/2 DEPTH ADJ SLIDE OUT/TILT TRAY
 - (2) HYDRAULIC REELS WITH 200' OF HOSE

COMPARTMENT R54 CONTAINS:
 - (1) 3/4 DEPTH ADJ SLIDE OUT TRAY
 - (1) 3/4 DEPTH FLOOR MTD SLIDE OUT TRAY
 - (1) HORIZONTAL FLOOR EXTENSION
 - (1) 1/2 DEPTH ADJ SLIDE OUT/TILT TRAY
 - PITCHED COMPARTMENT FLOOR
 - (1) ELECTRIC CORD REEL WITH 200' OF 10/3 YELLOW CORD



REAR COMPARTMENT CONTAINS THE FOLLOWING:

COMPARTMENT B1 CONTAINS:
 - (1) 60\"/>



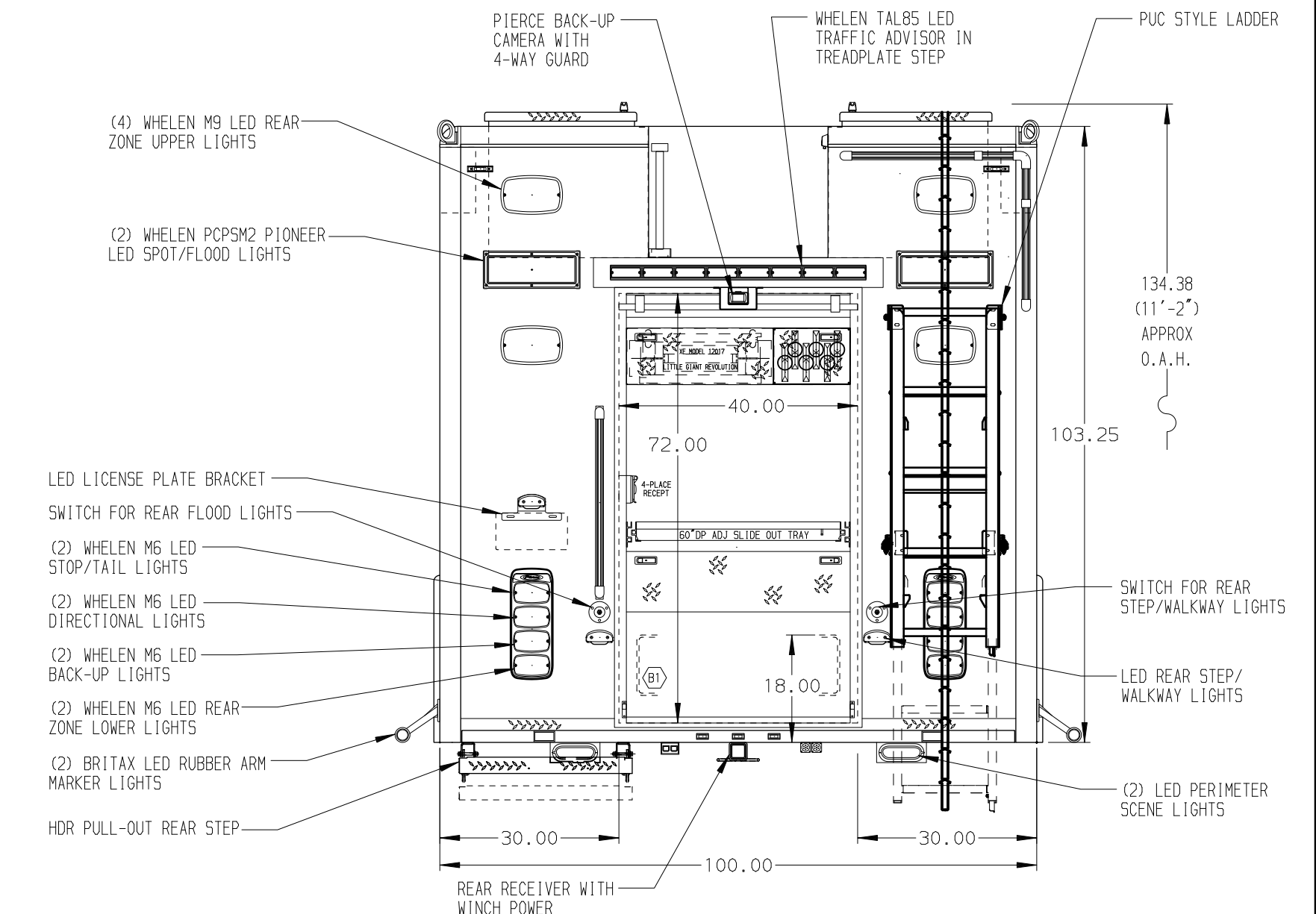
LEFT SIDE COMPARTMENTS CONTAIN THE FOLLOWING:

COMPARTMENT L51 CONTAINS:
 - (1) CASCADE SYSTEM CONTROL PANEL
 - (1) SPACESAVER 2-BOTTLE FILL ENCLOSURE
 - (1) RACK FOR 16 SCBA BOTTLES
 - (1) HORIZONTAL FLOOR EXTENSION
 - (3) POLY TOOL BOXES
 - (1) STD DEPTH ADJ SLIDE OUT/TILT TRAY
 - (1) HIGH PRESSURE AIR REEL W/200' OF HOSE

COMPARTMENT L52 CONTAINS:
 - (1) RACK FOR BACKBOARDS
 - (1) 1/2 DEPTH ADJ SLIDE OUT/TILT TRAY
 - (1) 3/4 DEPTH FLOOR MTD SLIDE OUT TRAY

COMPARTMENT L53 CONTAINS:
 - (1) 750# FLOOR MOUNTED TRAY
 - (1) 1/2 ADJ SLIDE OUT TRAY
 - (1) 1/2 DEPTH ADJ SLIDE OUT/TILT TRAY

COMPARTMENT L54 CONTAINS:
 - (1) DUAL PRO CHARGER
 - (1) 5-DRAWER C-TECH CABINET
 - (1) STD DEPTH FLOOR MOUNTED TRAY
 - (1) 1/2 DEPTH ADJ SLIDE OUT/TILT TRAY
 - (1) CIRCUIT BREAKER PANEL
 - (1) GENERATOR METER PANEL
 - (1) SUB FEED BOX
 - (1) COMMAND LIGHT CONTROLLER
 - (1) ELECTRIC CORD REEL WITH 200' OF 10/3 YELLOW CORD
 - (1) 15A, 120V 6-PLACE RECEPTACLE



NOTE
 DIMENSIONS SHOWN ARE APPROXIMATE AND ARE SUBJECT TO MINOR DEVIATIONS AS MAY OCCUR OR BE NECESSARY IN CONSTRUCTION. MINOR DETAILS NOT SHOWN.

NOTES:
 1. AIR INLET WITH DISCONNECT COUPLING LOCATED IN THE DRIVER'S SIDE LOWER STEP WELL OF THE CAB
 2. WARN #10,000 PORTABLE RECEIVER STYLE WINCH
 3. POLISHED 5/5 SCUFFPLATES ON CAB AND CREW CAB DOOR JAMBS
 4. FLOOR IN CAB AND CREW CAB TO BE PADDED RUBBER
 5. DAVID CLARK 5 POSITION INTERCOM SYSTEM
 6. BATTERY CHARGE INDICATOR LOCATED ON THE DRIVER'S SEAT WITH BRACKET
 7. 340 CFM VENTILATION FAN IN HATCH COMPARTMENT WITH THE HYDRAULIC POWER UNIT
 8. PULL-STRAPS ON ALL BODY ROLL-UP DOORS
 9. AMDR LED LIGHTS IN ALL BODY AND HATCH COMPARTMENTS
 10. ONAN 25kW SINGLE PHASE PTO DRIVEN GENERATOR LOCATED BETWEEN THE FRAME RAILS

11. 30A, 240 T.L. RECEPTACLE LOCATED IN PASSENGER'S SIDE FORWARD HATCH COMPARTMENT
 12. PAC TRAC INSTALLED ON REAR WALL OF CREW CAB BETWEEN SEATS
 13. (4) 20A, 120V DUPLEX RECEPTABLES IN CREW CAB OVERHEAD CABINETS WITH TWO IN FORWARD FACING CABINET AND ONE IN EACH REAR FACING CABINET

CLEAR DOOR WIDTH KEY

AMDR ROLL-UP DOORS:	-2 1/4"				
CURTILE ROLL-UP DOORS:	-2 1/2"				
PIERCE DOUBLE LAMP DOORS:	-4 1/4"				
PIERCE LIFT-UP LAMP DOORS:	-1 1/2"				
(EX: 60°F-F - 2 1/4" = 57 3/4" CLEAR)					
(F-F) = FRAME TO FRAME					
REV	DATE	BY	CH	VXFR2020	

	MANUFACTURING INC.	JOB NO.	33262
		SCALE	DATE
		DRAWN BY	DHE 17JAN19
		CHECKED BY	AZU 18JAN19
		SHEET SIZE	SHEET NO.
		D	1 OF 1

CHASSIS DATA

TITLE	HEAVY DUTY RESCUE NON-WALK-IN
FOR	JAMES CITY COUNTY WILLIAMSBURG, VA
MODEL	
DWG NO.	33262AD

WILL BASCOM

(SIDE ROLL AND FRONTAL IMPACT PROTECTION)