

RIGHT SIDE COMPARTMENTS CONTAIN THE FOLLOWING:

COMPARTMENT R51 CONTAINS:

- (2) STD DEPTH ADJ SHELVES
- (1) STD DEPTH FLOOR MOUNTED TRAY

COMPARTMENT R52 CONTAINS:

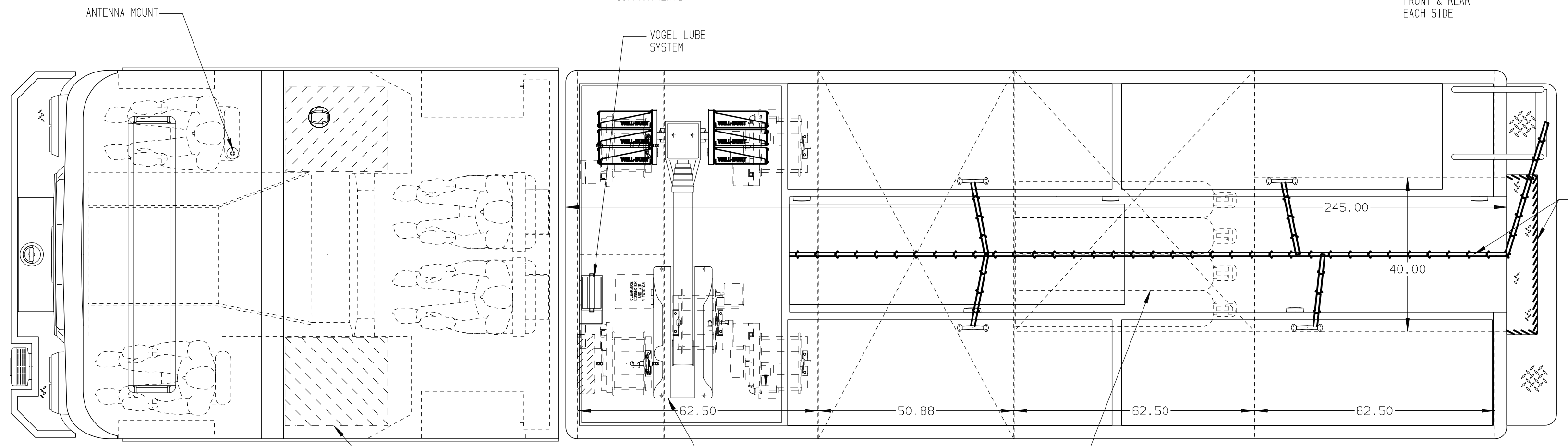
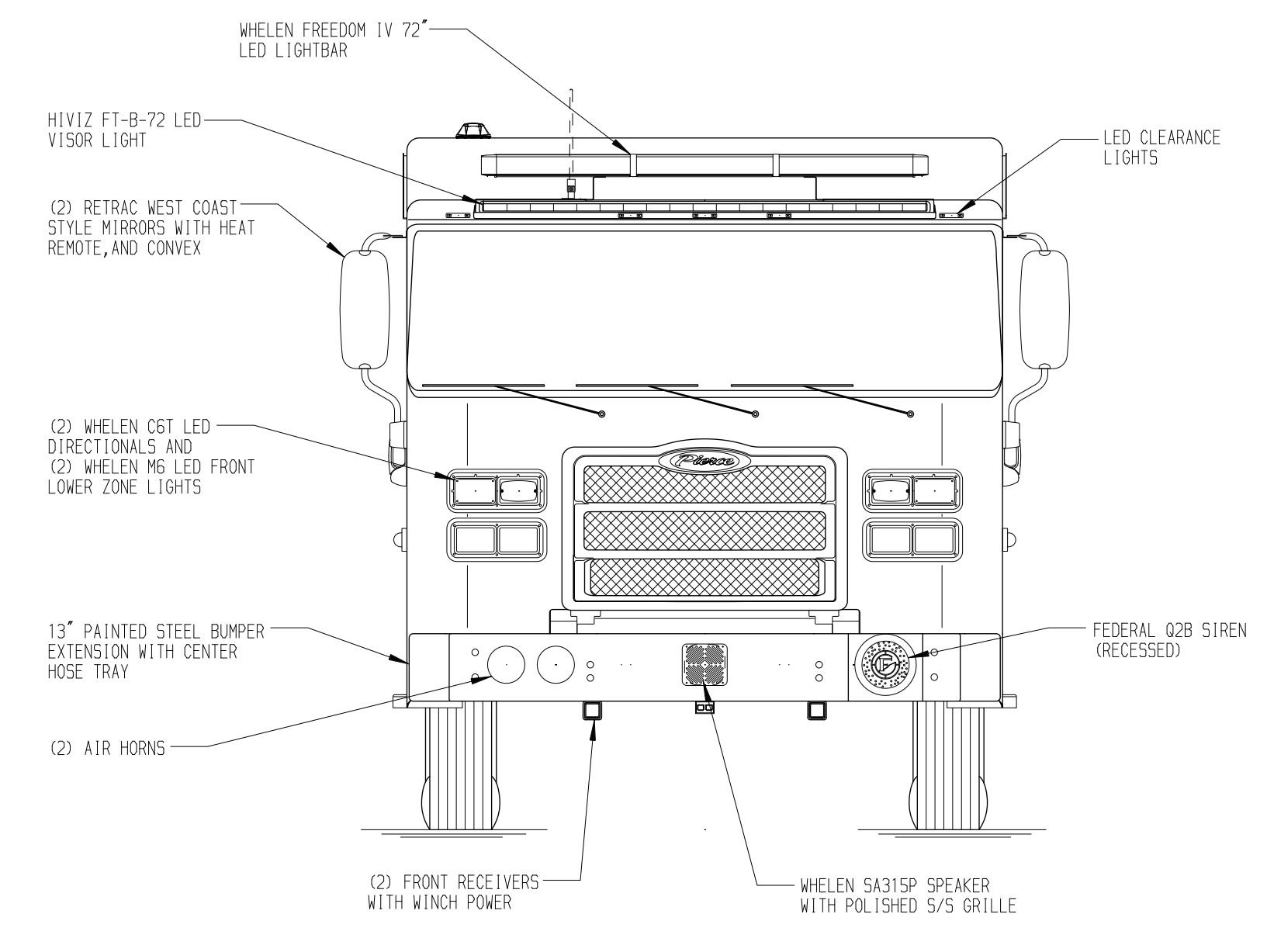
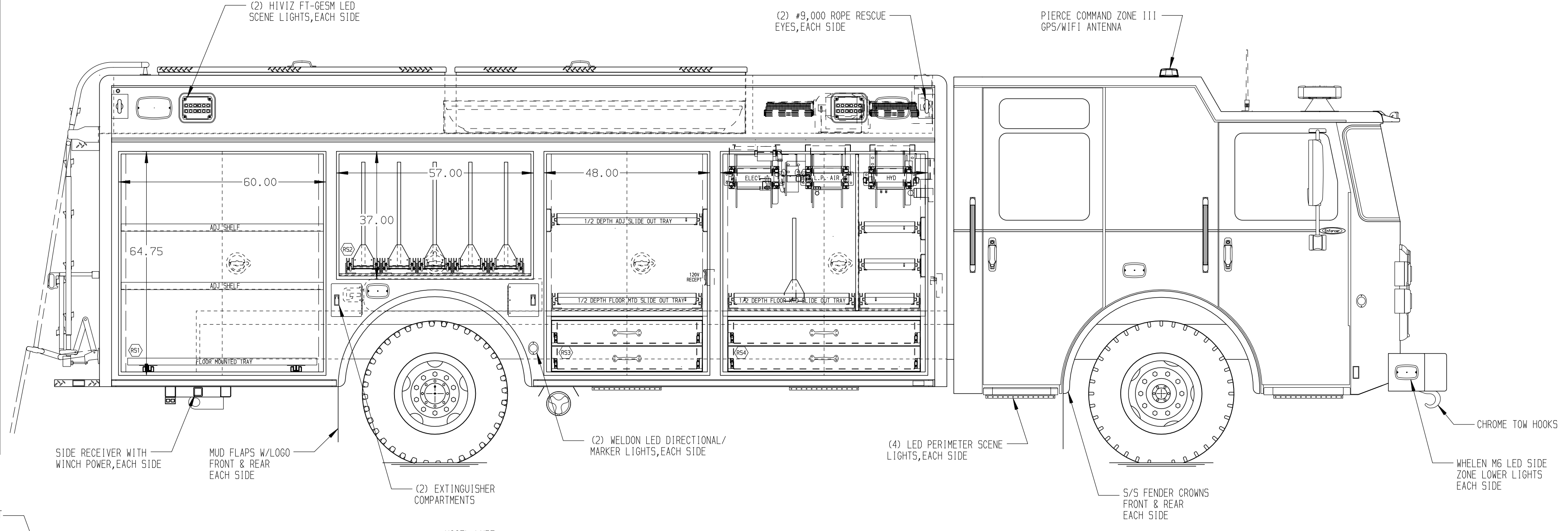
- (5) 3/4 DEPTH ADJ SLIDE OUT TOOLBOARDS
- VERTICAL REAR WALL DIVIDER

COMPARTMENT R53 CONTAINS:

- (1) 1/2 DEPTH ADJ SLIDE OUT TRAY
- (1) 1/2 DEPTH FLOOR MOUNTED SLIDE OUT TRAY
- (1) 15/20A, 120V DUPLEX RECEPTACLE
- (1) 2-DRAWER TOOL CABINET
- HORIZONTAL FLOOR EXTENSION

COMPARTMENT R54 CONTAINS:

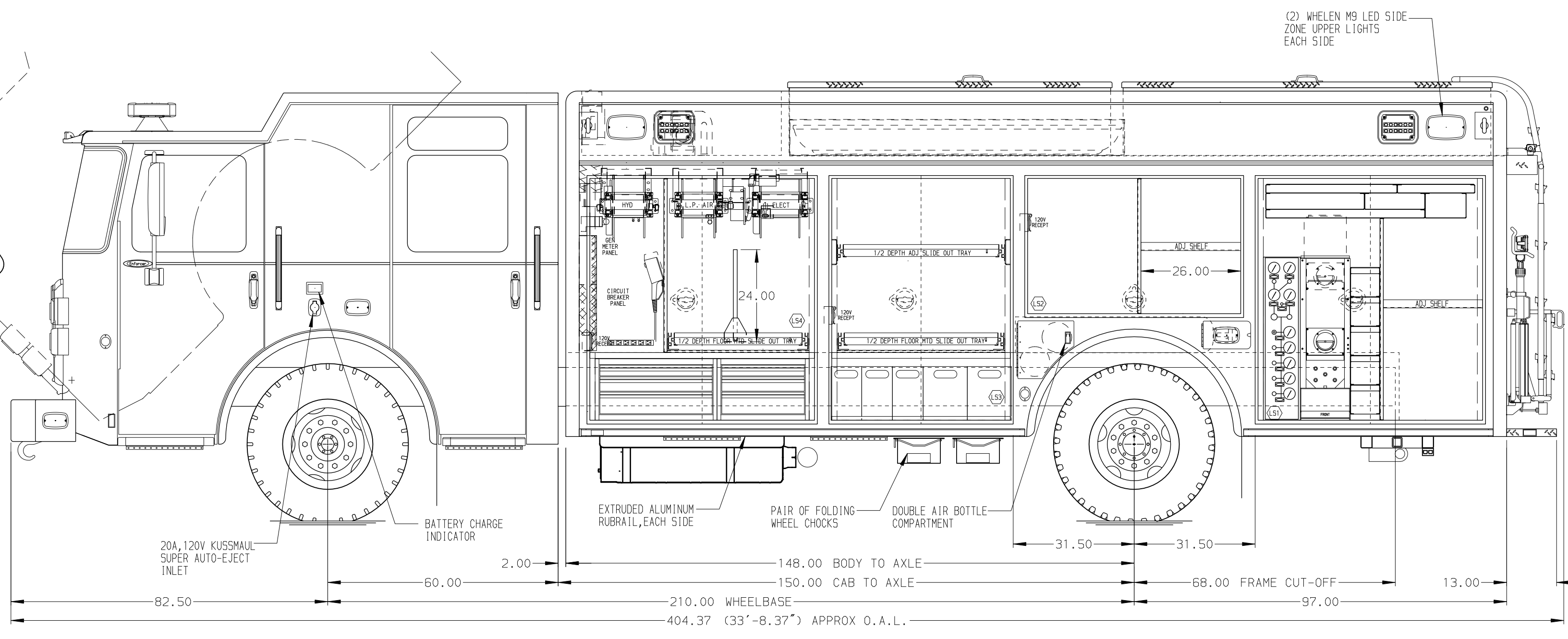
- (1) CAB LIFT CONTROLLER
- (1) 1/2 DEPTH FLOOR MTD SLIDE OUT TRAY WITH TOOLBOARD
- (1) TRANSVERSE COMPARTMENT DIVIDER
- (1) 1/2 DEPTH FLOOR MTD SLIDE OUT TRAY
- (2) 1/2 DEPTH ADJ SLIDE OUT TRAYS
- REAR WALL COMPARTMENT DIVIDERS
- (1) HORIZONTAL FLOOR EXTENSION
- (1) LOW PRESSURE AIR REEL W/200' OF HOSE
- (1) HYDRAULIC TOOL REEL W/100' OF HOSE
- (1) ELECTRIC CORD REEL WITH 200' OF 10/3 BLACK CABLE
- (1) HYDRAULIC DUMP VALVE
- (1) 2-DRAWER TOOL CABINET



REAR COMPARTMENT CONTAINS THE FOLLOWING:

COMPARTMENT R1 CONTAINS:

- (1) SPECIAL DEPTH FLOOR MOUNTED TRAY
- (1) HORIZONTAL FLOOR EXTENSION
- (1) 60" DP ADJ SLIDE OUT TRAY



LEFT SIDE COMPARTMENTS CONTAIN THE FOLLOWING:

COMPARTMENT L51 CONTAINS:

- (1) RACK FOR 10 AIR BAGS
- (1) VERTICAL COMPARTMENT DIVIDER
- (1) "SPACE SAVER" 2-BOTTLE FILL ENCLOSURE
- (1) CASCADE SYSTEM CONTROL PANEL
- (1) STD DEPTH ADJ SHELF
- (1) VERTICAL DIVIDER

COMPARTMENT L52 CONTAINS:

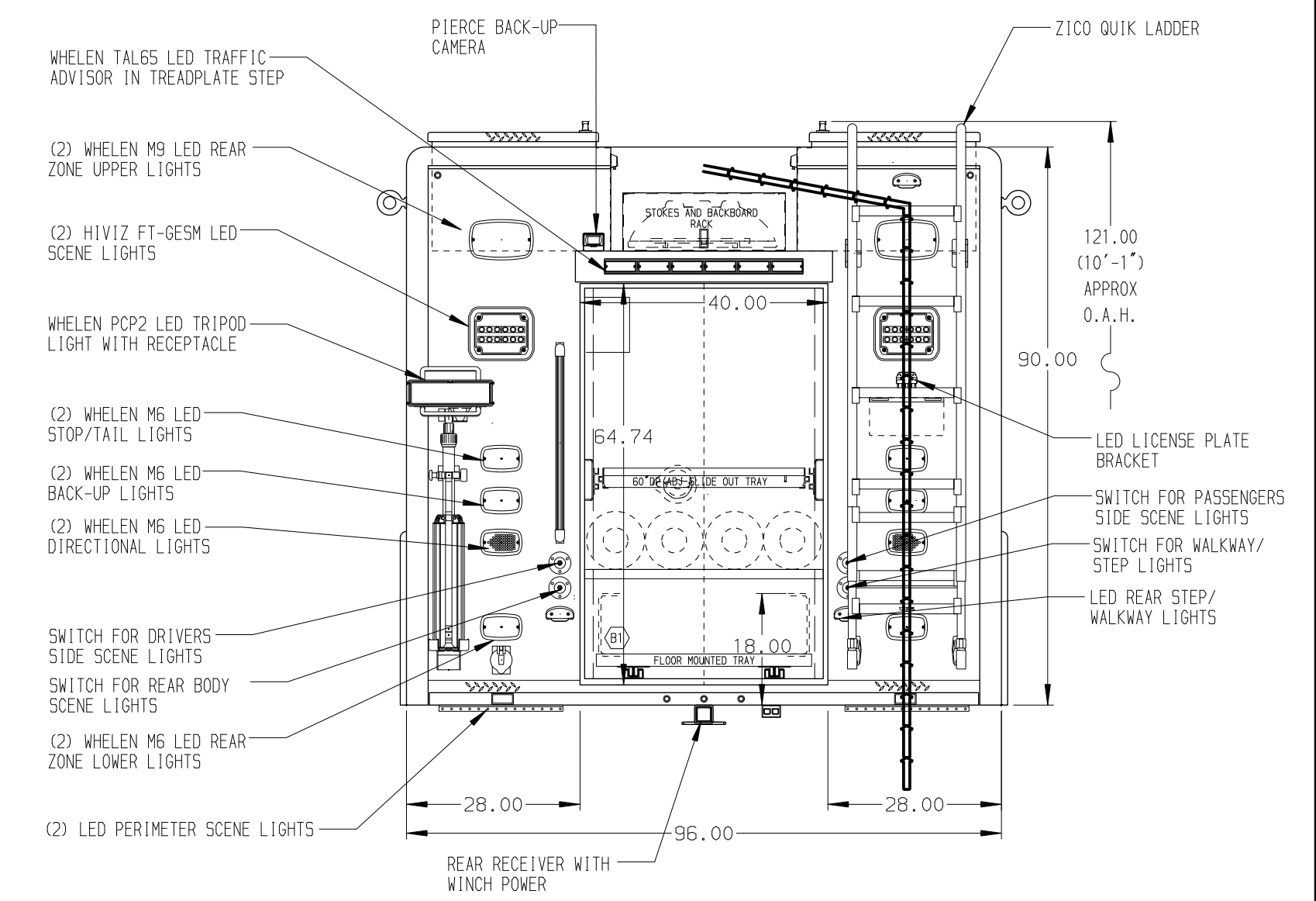
- (1) STD DEPTH ADJ SHELF
- (1) VERTICAL COMPARTMENT DIVIDER
- (1) 15/20A, 120V DUPLEX RECEPTACLE
- STD DEPTH REAR WALL PEGBOARD DIVIDER

COMPARTMENT L53 CONTAINS:

- (1) 1/2 DEPTH ADJ SLIDE OUT TRAY
- (1) 1/2 DEPTH FLOOR MOUNTED SLIDE OUT TRAY
- (1) HORIZONTAL FLOOR EXTENSION
- (5) POLY TOOL BOXES
- (1) 15/20A, 120V DUPLEX RECEPTACLE

COMPARTMENT L54 CONTAINS:

- (1) KUSSMAUL PUMP PLUS 1200 CHARGER WITH TOOLBOARD
- (1) 1/2 DEPTH FLOOR MTD SLIDE OUT TRAY
- TRANSVERSE COMPARTMENT DIVIDER
- (1) CIRCUIT BREAKER AND METER PANEL
- (1) NIGHT SCAN CONTROLLER
- (1) GENERATOR METER PANEL
- (1) HORIZONTAL FLOOR EXTENSION
- (1) LOW PRESSURE AIR REEL W/200' OF HOSE
- (1) HYDRAULIC TOOL REEL W/100' OF HOSE
- (1) ELECTRIC CORD REEL WITH 200' OF 10/3 BLACK CABLE
- (1) HYDRAULIC DUMP VALVE
- (1) 15/20A, 120V DUPLEX RECEPTACLE
- (1) 120V 6-PLACE RECEPTACLE
- (2) 3-DRAWER C-TECH CABINETS
- (1) XRT SYSTEM FILTER
- REAR WALL COMPARTMENT DIVIDERS



NOTE: LAP DOORS HAVE BEEN SHOWN IN HIDDEN LINES TO CLEARLY IDENTIFY THE EQUIPMENT IN EACH COMPARTMENT. DASHED LINES ON SIDES ARE DOORS IN OPEN POSITION

NOTE

DIMENSIONS SHOWN ARE APPROXIMATE AND ARE SUBJECT TO MINOR DEVIATIONS AS MAY OCCUR OR BE NECESSARY IN CONSTRUCTION. MINOR DETAILS NOT SHOWN.

NOTES:

- WARN #9,000 PORTABLE RECEIVER STYLE WINCH
- RECEIVER STYLE ROPE ANCHOR SHIPPED LOOSE
- POLISHED 5/5 SCUFFPLATES ON CAB AND CREW CAB DOOR JAMBS
- FLOOR IN CAB AND CREW CAB TO BE PADDED RUBBER
- PIERCE LED LIGHT STRIPS LOCATED IN EACH BODY AND HATCH COMPARTMENT
- ONAN 25kW SINGLE PHASE PTO DRIVEN GENERATOR LOCATED BETWEEN THE FRAME RAILS

SIDE ROLL AND FRONTAL IMPACT PROTECTION

| CLEAR DOOR WIDTH KEY | | REV | DATE | BY | CH | CHASSIS DATA |
|--|---------|---------|------|-----|--------|--------------|
| AMOR ROLL UP DOORS: | -2 1/4" | 13MAY19 | DHE | CDK | | |
| CORTITE ROLL UP DOORS: | -2 1/2" | 08APR19 | DHE | CDK | | |
| PIERCE DOUBLE LAP DOORS: | -4 1/4" | 15MAR19 | DHE | CDK | PIERCE | |
| PIERCE LIFT-UP LAP DOORS: | -1 1/2" | 29JAN19 | 5BR | CDK | | |
| (EX: 60" F-F - 2 1/4" = 57 3/4" CLEAR) | | | | | | |
| (F-F) = FRAME TO FRAME | | | | | | |

| | | | |
|---------|---------------------------------------|------------|-------------|
| | | JOB NO. | 33276 |
| | | SCALE | DATE |
| TITLE | HEAVY DUTY RESCUE NON-WALKIN | DRAWN BY | DHE 15JAN19 |
| FOR | CHEROKEE FIRE DEPARTMENT CHEROKEE, NC | CHECKED BY | CDK 21JAN19 |
| DWG NO. | 33276AD | SHEET SIZE | D |
| | | SHEET NO. | 1 OF 1 |