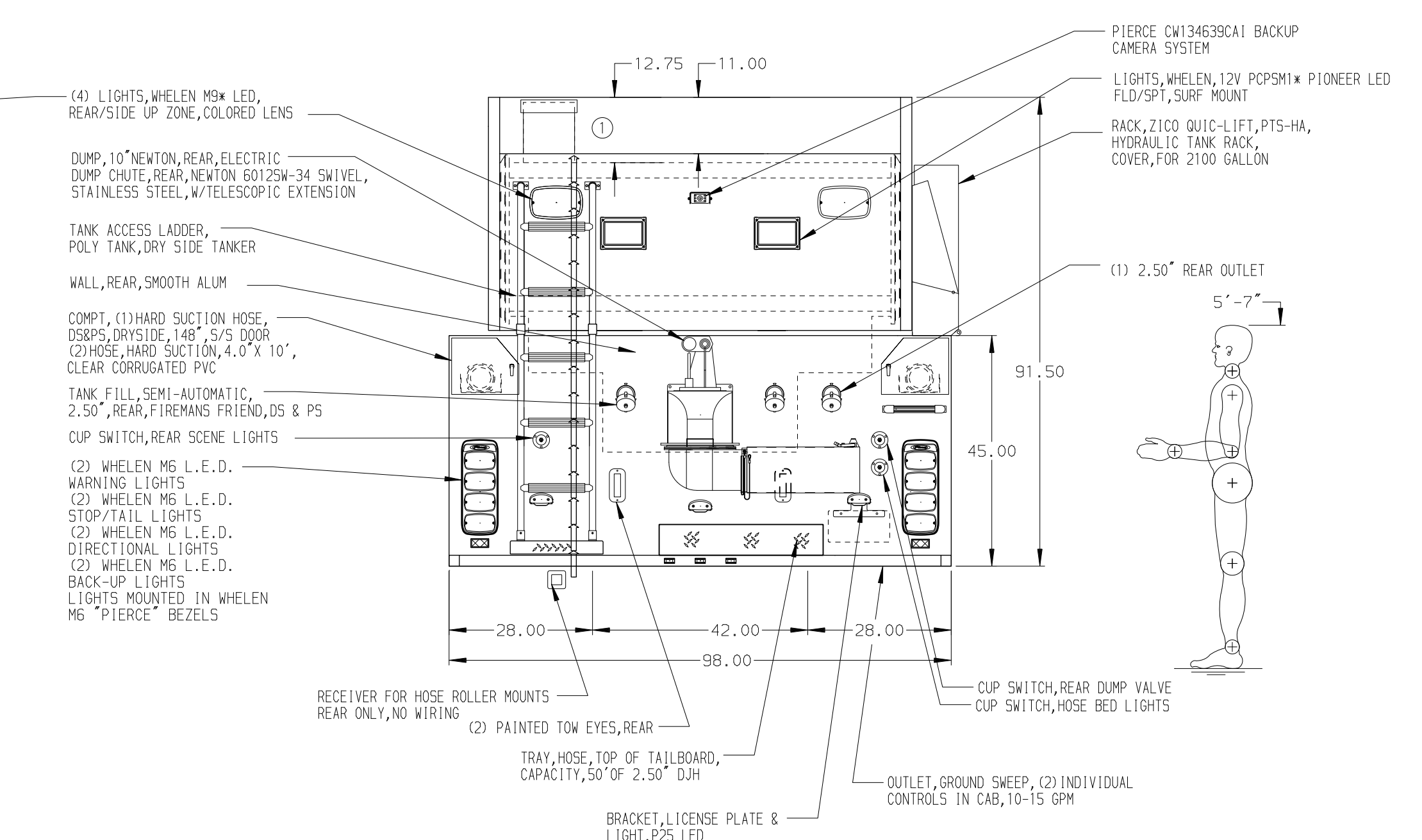
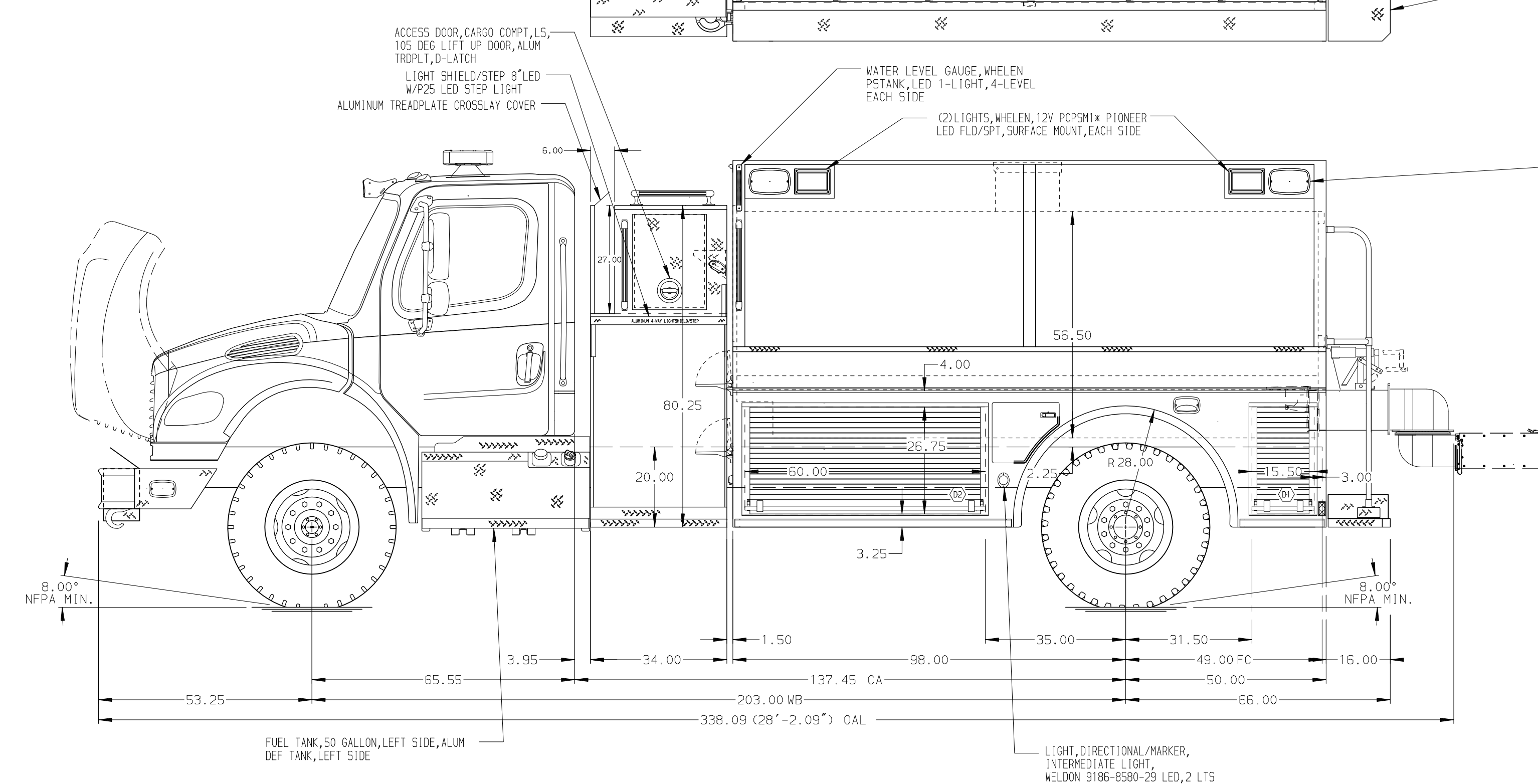


HOSEBED CAPACITIES  
 (1) 200' OF 2.50" D.J. POLYESTER HOSE



ALUMINUM BODY

NOTE  
 DIMENSIONS SHOWN ARE APPROXIMATE AND ARE SUBJECT TO MINOR DEVIATIONS AS MAY OCCUR OR BE NECESSARY IN CONSTRUCTION. MINOR DETAILS NOT SHOWN.

REV	DATE	BY	CH
18MAR19	JAF	AJA	

		JOB NO.	31199
BRADENTON, FLORIDA		SCALE	1:24
TITLE 500-D-2000 POLY, 148" DRYSIDE 34" SIDE CONTROL, (1) 1.5" CROSSSLAYS, SPECIAL CAPACIT		DRAWN BY	JLA
MAKE FL FOR CONTRA COSTA COUNTY FIRE PROTECTION DISTRICT PLEASANT HILL, CALIFORNIA		CHECKED BY	RWI
MODEL M2-106 DWG NO. 33339AD		SHEET SIZE	D
		SHEET NO.	1 OF 1