

Pumper, PUC

BODY

Pumper, PUC, Aluminum

CHASSIS

Enforcer Chassis, PUC

CHASSIS

AXLE, FRONT, CUSTOM

18,000 Lb Dana Axle

AXLE, REAR

27,000 Lb Dana Axle

ENGINE

450 HP Cummins L9 Engine

TRANSMISSION

Allison 5th Gen, 3000 EVS P

BUMPER

19" Extended Painted Steel

CAB

7010 Enforcer Cab, PUC

BODY

WATER TANK

730 Gallon Poly Water Tank

COMPT, PUMPER, REAR

33.50" FF RollUp Rear Compt w/Tailboard, PUC

COMPT, PUMPER, LEFT SIDE

189" RollUp Full Height & Depth Front & Rear, PUC

COMPT, PUMPER, RIGHT SIDE

189" RollUp Full Height & Depth Front & Rear, PUC

FIRE SUPPRESSION

PUMPHOUSE

Control Zone, PUC

PUMP

1500 GPM Pierce PUC

CROSSLAYS, 1.50"

(2) 1.50", Poly Trays, 200"

CROSSLAYS, 2.50"

2.50" Crosslay Not Required

GENERATOR

Generator Not Required

Foam System

Husky 3 Single Agent Foam System

Foam Cell

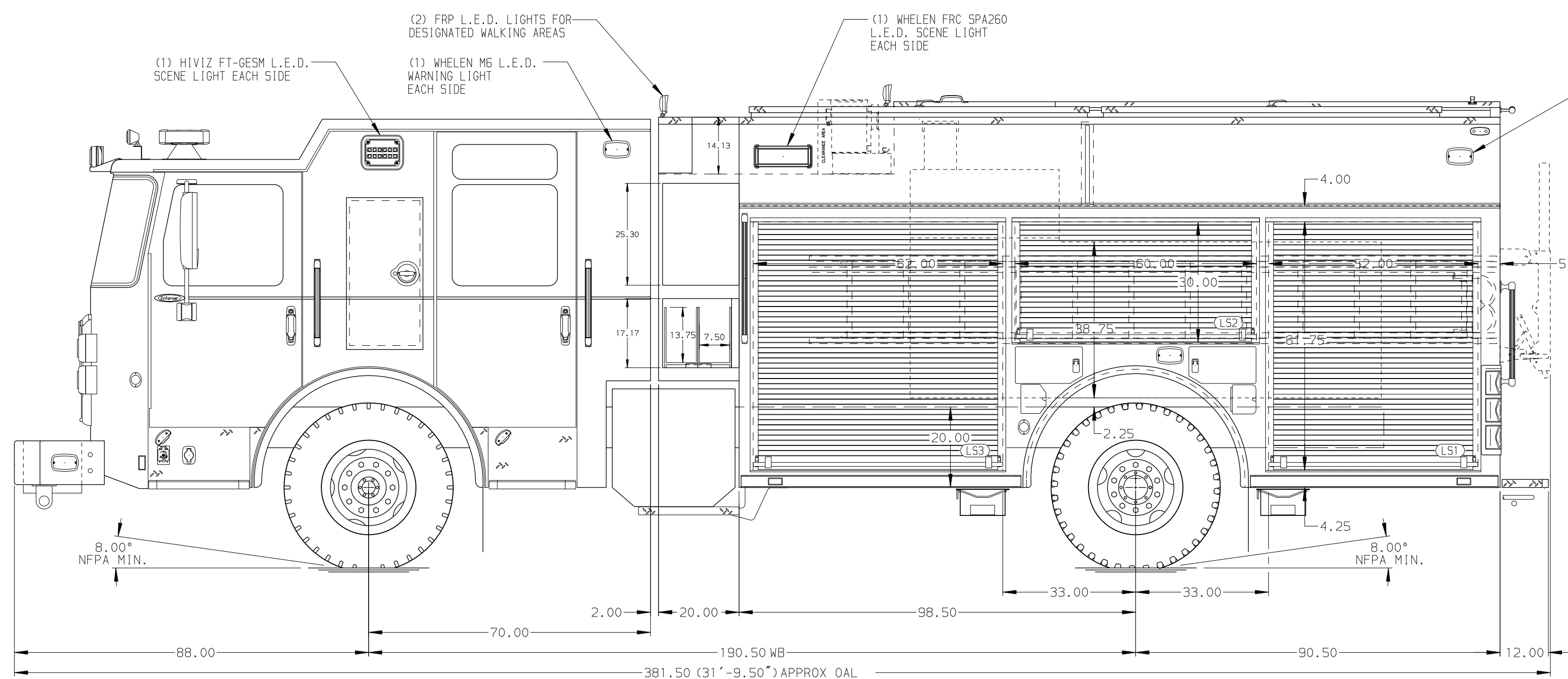
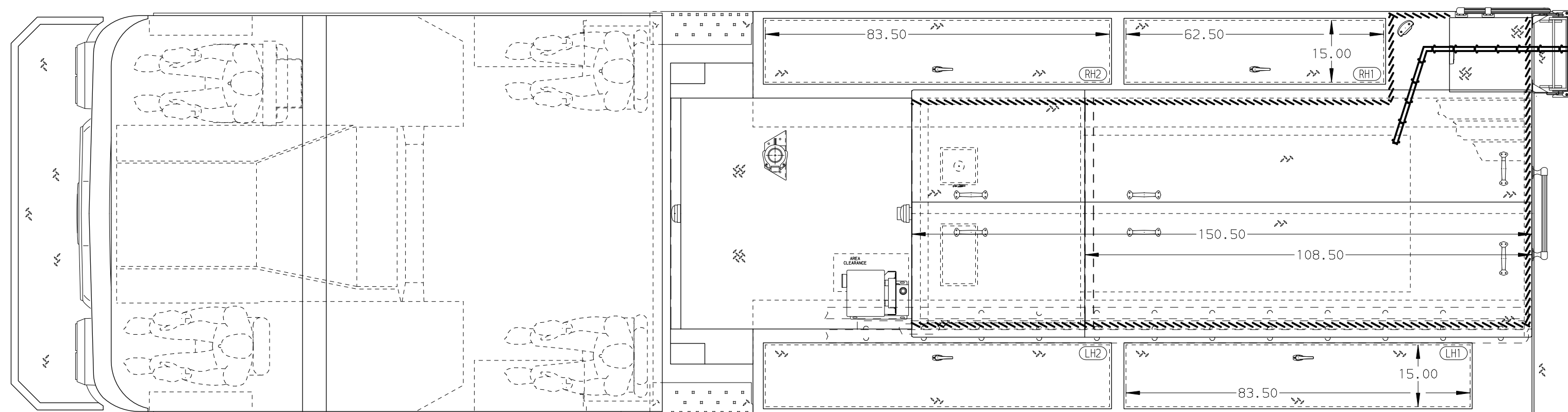
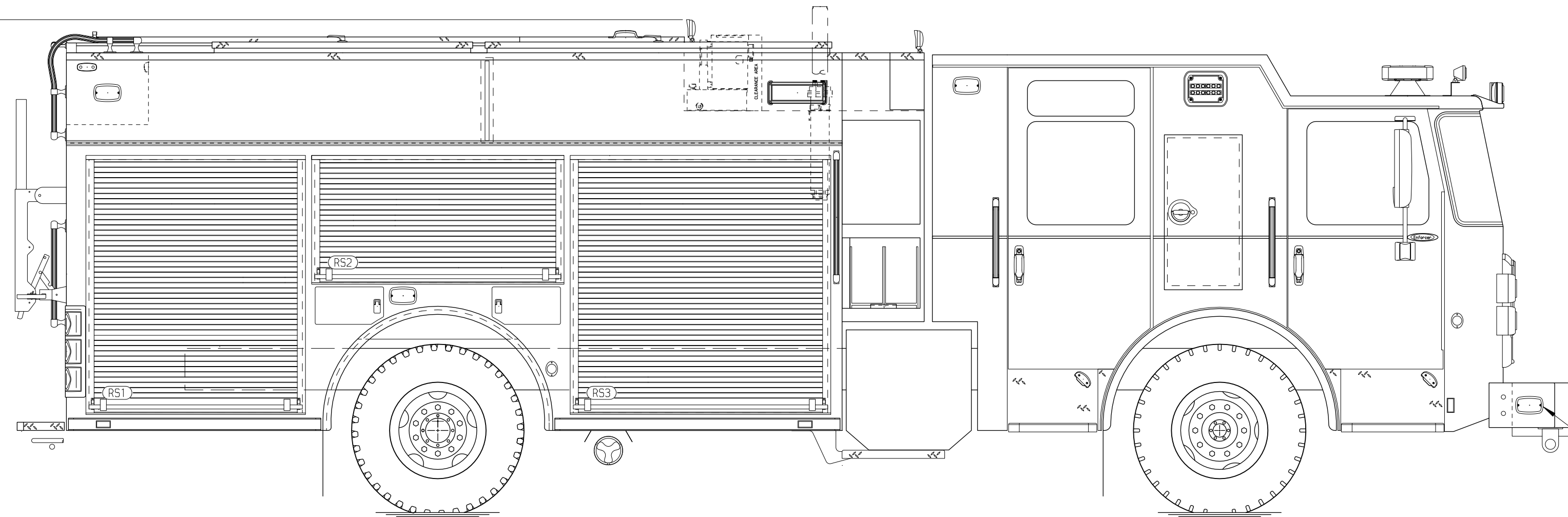
20 Gallon Foam Cell, Not Reduced Water, PUC

NOTE

DIMENSIONS SHOWN ARE APPROXIMATE AND ARE SUBJECT TO MINOR DEVIATIONS AS MAY OCCUR OR BE NECESSARY IN CONSTRUCTION. MINOR DETAILS NOT SHOWN.

- ONE 1.50 OUTLET WITH 2.00 PIPING AND SWIVEL LOCATED IN CENTER BUMPER TRAY
- SHORELINE RECEPTACLE WITH KUSSMAUL SUPER AUTO-EJECT LOCATED IN DRIVER SIDE STEP WELL
- AIR INLET WITH KUSSMAUL AUTO-EJECT LOCATED IN THE DRIVER SIDE STEPWELL
- BATTERY CHARGER LOCATED IN COMPARTMENT PER SHOP ORDER
- BATTERY CHARGE INDICATOR LOCATED ON THE DRIVER SIDE SEAT RISER
- SIX ADJUSTABLE SHELVES LOCATED PER SHOP ORDER
- TWO FLOOR MOUNTED SLIDE-OUT TRAYS LOCATED PER SHOP ORDER
- ONE SWING-OUT ALUMINUM TOOL BOARD LOCATED PER SHOP ORDER
- AUTOMATIC TIRE CHAINS

126.00
(10'-6")
APPROX
O.A.H.



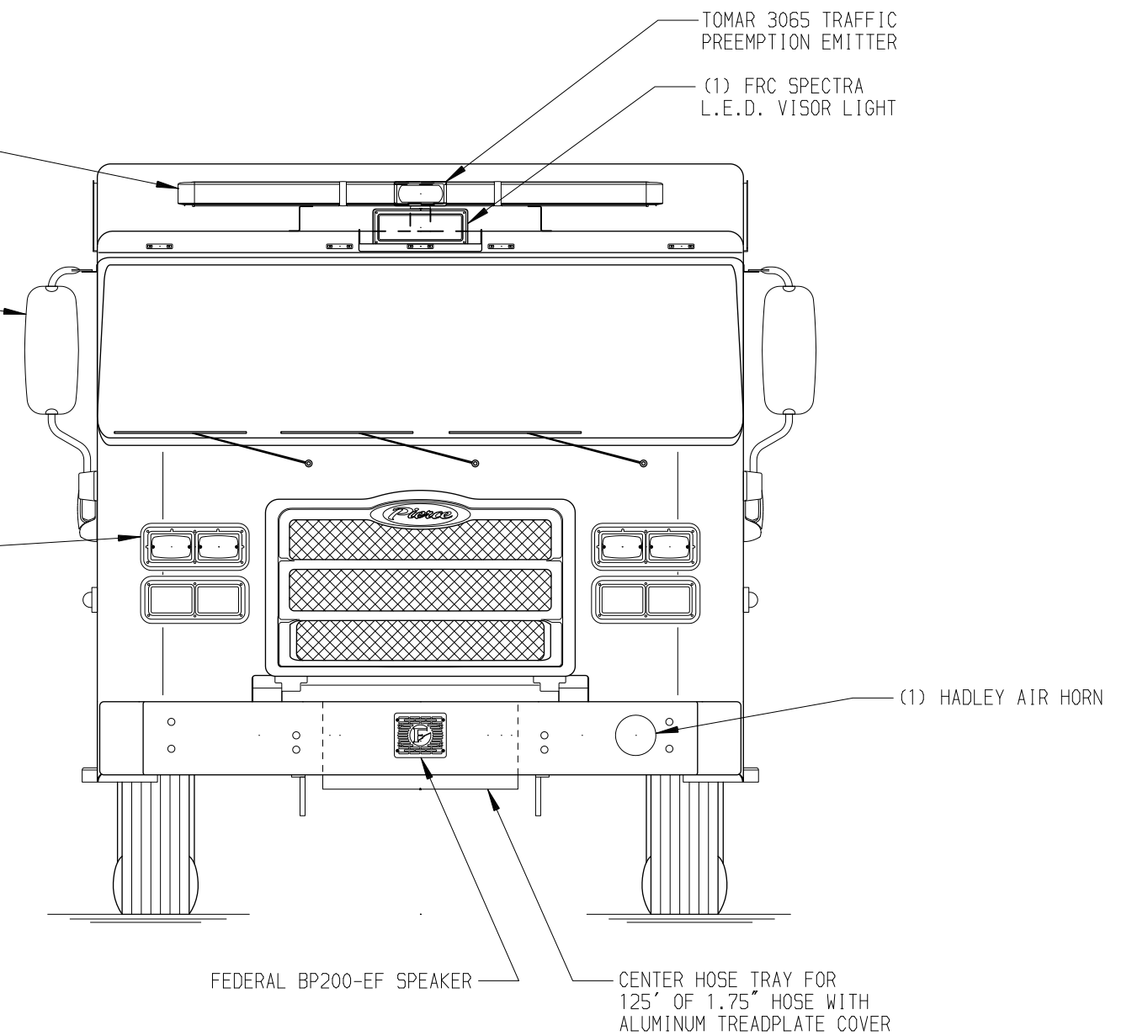
WHELEN FREEDOM IV
72" L.E.D. LIGHTBAR

RETRAC HEATED/REMOTE
CONTROL MIRRORS
WITH CONVEX SECTION

(1) WHELEN M6 L.E.D.
WARNING LIGHT
(1) WHELEN M6T L.E.D.
DIRECTIONAL LIGHT IN
A COMMON BEZEL EACH SIDE

(2) WHELEN M6 L.E.D.
WARNING LIGHTS
EACH SIDE

TOMAR 3065 TRAFFIC
PREEMPTION EMITTER
(1) FRC SPECTRA
L.E.D. VISOR LIGHT



(1) HADLEY AIR HORN

FEDERAL BP200-EF SPEAKER

CENTER HOSE TRAY FOR
125' OF 1.75" HOSE WITH
ALUMINUM TREADPLATE COVER

HOSEBED CAPACITY

BED 1

200' OF 2.50" D.J. POLY HOSE

BED 2

400' OF 3.00" D.J. POLY HOSE

BED 3

800' OF 4.00" D.J. POLY HOSE

(1) 2.50" OUTLET

(3) HOSE BED DIVIDERS

(1) WHELEN M6 L.E.D.
WARNING LIGHT
EACH SIDE

COMPARTMENT FOR (2) PIKE POLES
(1) FOLDING LADDER DS
LONG ITEM STORAGE PS

(1) WHELEN TAL65 L.E.D.
TRAFFIC DIRECTING LIGHT
RECESSED W/

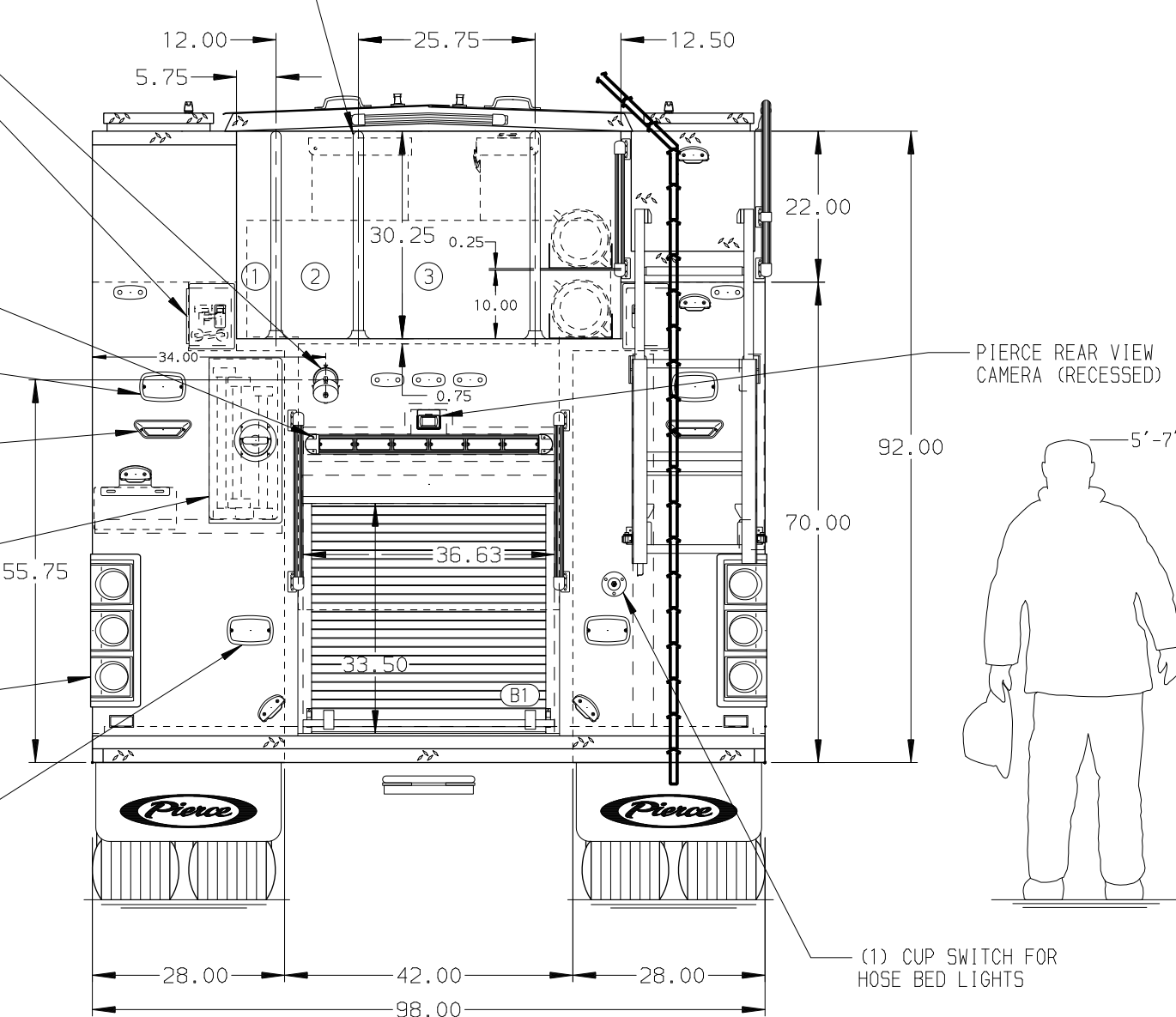
(2) WHELEN M6 L.E.D.
WARNING LIGHTS

(2) WHELEN PELCC
L.E.D. SCENE LIGHTS

LADDER STORAGE FOR
(1) 24" DUO-SAFETY 2-SEC 900-A
(1) 14" DUO-SAFETY ROOF 775-A

STOP TAIL-BACK-UP &
DIRECTIONAL L.E.D. LIGHTS
IN A COMMON BEZEL

(2) WHELEN M6 L.E.D.
WARNING LIGHTS



PIERCE REAR VIEW
CAMERA (RECESSED)

5'-7"

92.00

70.00

36.63

33.50

55.75

22.00

12.00

25.75

12.50

28.00

42.00

28.00

98.00

(1) CUP SWITCH FOR
HOSE BED LIGHTS

		JOB NO.	33342 01-02												
		SCALE	DATE												
Pierce MANUFACTURING INC.		TITLE	Pierce PUC Pumper Approval Drawing												
		FOR	East Fork Fire Protection District												
<table border="1"> <tr> <td>21FEB19</td> <td>TKA</td> <td>KBO</td> <td>PIERCE</td> </tr> <tr> <td>24JAN19</td> <td>TKA</td> <td>KBO</td> <td>MODEL</td> </tr> <tr> <td>REV</td> <td>DATE</td> <td>BY</td> <td>CH</td> </tr> </table>		21FEB19	TKA	KBO	PIERCE	24JAN19	TKA	KBO	MODEL	REV	DATE	BY	CH	DWG NO.	33342AD
		21FEB19	TKA	KBO	PIERCE										
24JAN19	TKA	KBO	MODEL												
REV	DATE	BY	CH												
<table border="1"> <tr> <td>CHASSIS DATA</td> <td>MAKE</td> <td>PIERCE</td> </tr> <tr> <td>MODEL</td> <td>ENFORCER</td> <td></td> </tr> </table>		CHASSIS DATA	MAKE	PIERCE	MODEL	ENFORCER		CHECKED BY	10DEC18						
		CHASSIS DATA	MAKE	PIERCE											
MODEL	ENFORCER														
<table border="1"> <tr> <td>SHEET SIZE</td> <td>SHEET NO.</td> </tr> <tr> <td>D</td> <td>1 OF 1</td> </tr> </table>		SHEET SIZE	SHEET NO.	D	1 OF 1	DRAWN BY	06DEC18								
		SHEET SIZE	SHEET NO.												
D	1 OF 1														