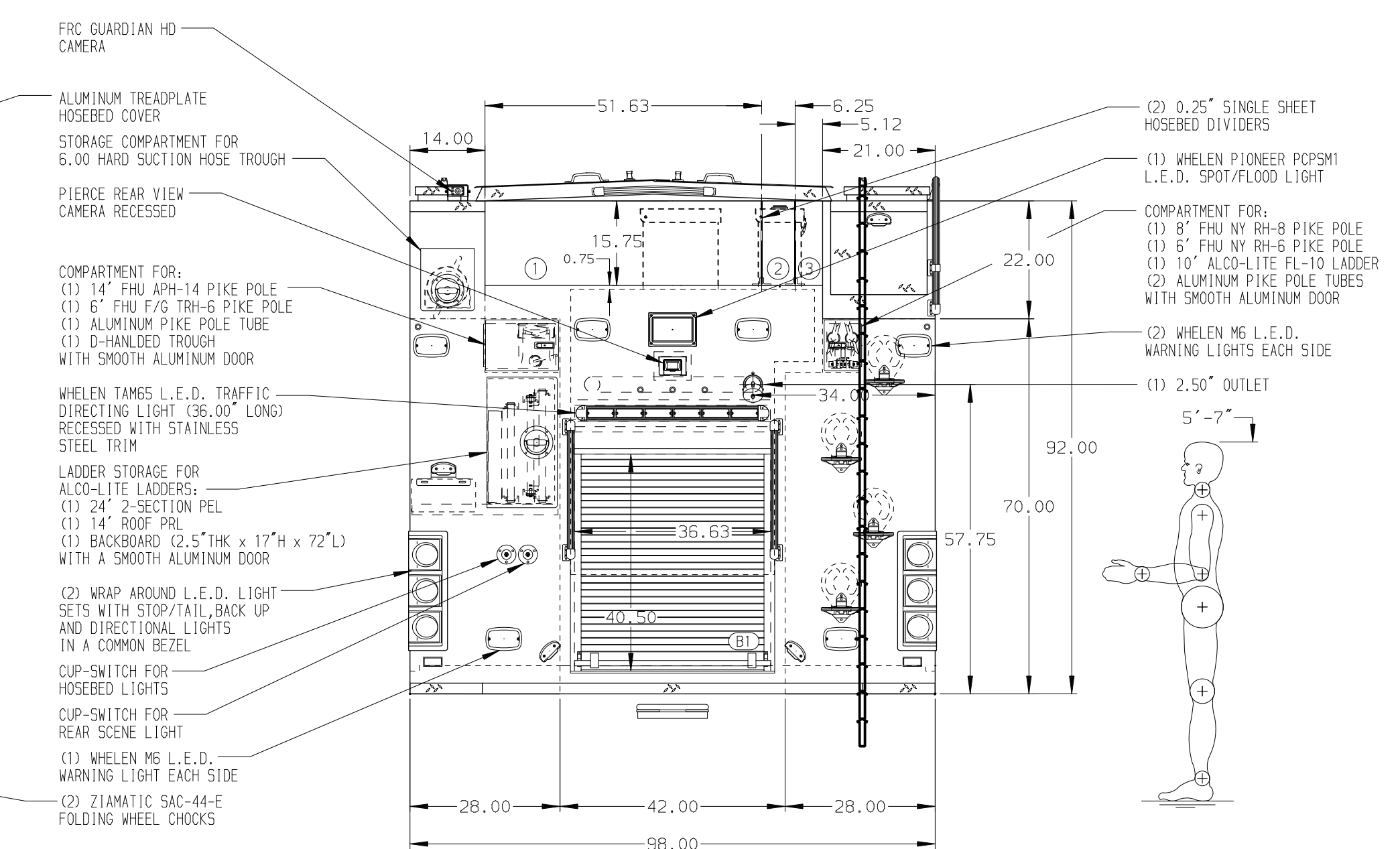
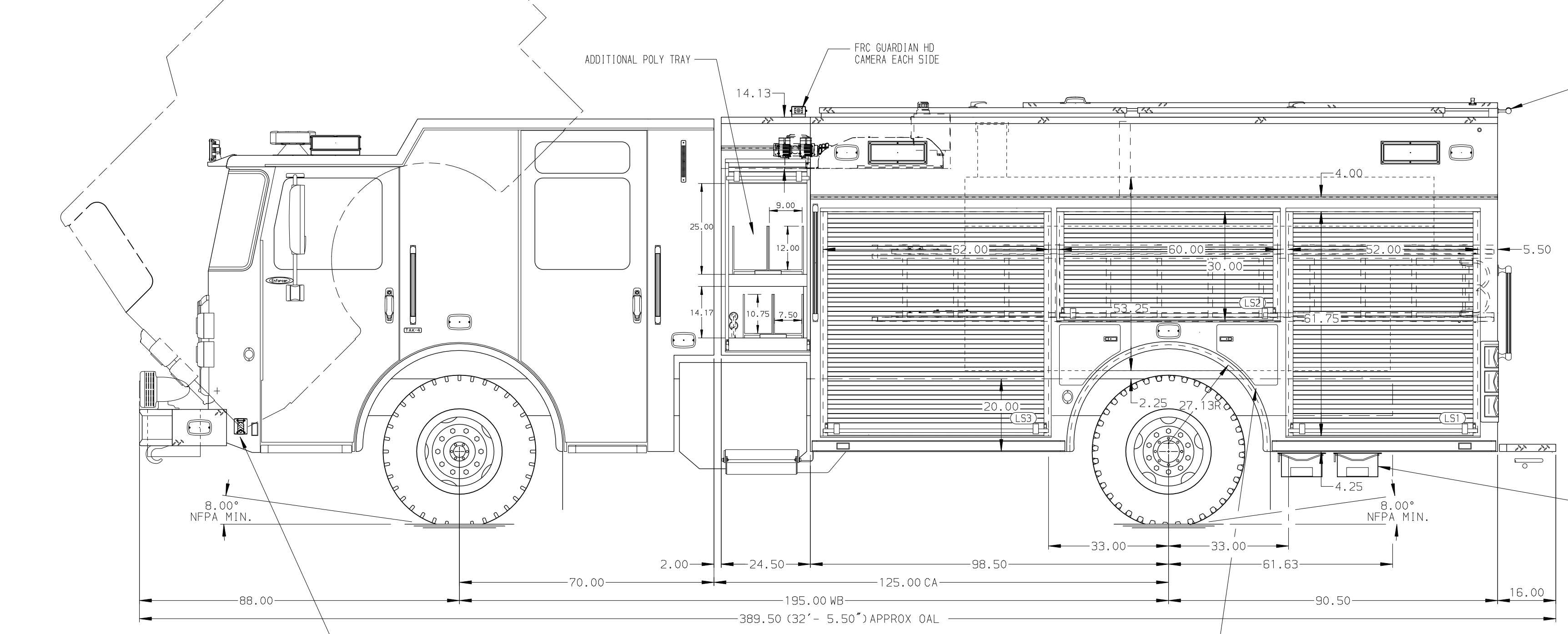


- HOSEBED CAPACITIES**
- ① - 1000' OF 5.00" HOSE
  - ② - 200' OF 3.00" HOSE
  - ③ - 200' OF 2.50" HOSE



ALUMINUM BODY

MAXIMUM O.A.H. 122.00"

SIDE ROLL AND FRONTAL IMPACT PROTECTION

**NOTE**  
 DIMENSIONS SHOWN ARE APPROXIMATE AND ARE SUBJECT TO MINOR DEVIATIONS AS MAY OCCUR OR BE NECESSARY IN CONSTRUCTION. MINOR DETAILS NOT SHOWN.

1. BATTERY CHARGER LOCATED IN PUMP PLUMBING AREA
2. BATTERY CHARGE INDICATOR LOCATED ON DRIVER'S SEAT RISER
3. DUAL L.E.D. LIGHT STRIPS LOCATED IN HOSE BED
4. L.E.D. LIGHT STRIPS LOCATED IN THE CARGO AREA
5. ONE FULL WIDTH/DEPTH ADJUSTABLE SHELF IN COMPARTMENT L51, L53, R53, B1, TWO IN R51
6. ONE ADJUSTABLE TILTING SLIDE-OUT TRAY IN COMPARTMENT R52 & R53
7. ONE FLOOR MOUNTED SLIDE-OUT TRAY IN COMPARTMENT L51, R51 & R53
8. ONE SWING-OUT ALUMINUM TOOL BOARD IN COMPARTMENT L52
9. ONE HORIZONTAL PARTITION IN COMPARTMENT R51
10. ONE VERTICAL BOLT-IN PARTITION BETWEEN COMPARTMENTS L51/B1 & R51/B1
11. ONE BOLT-IN PARTITION IN RH2 HATCH COMPARTMENT BEHIND THE GAST AIR COMPRESSOR
12. PEGBOARD W/O HOLES ON BACK WALL OF COMPARTMENT L51, L52 & L53
13. STORAGE RACK FOR 16" AIR BOTTLES LOCATED R51

REV	DATE	BY	CH	ENFORCER
21MAR19		AMI	CHR	MAKE
08MAR19		AMI	CHR	PIERCE
18JAN19		AMI	NPE	MODEL

		JOB NO.	33371
		SCALE	1:24
TITLE	1500-D-970P W/30G FOAM CELL, 189" RESCUE PUC BODY (3)CROSSLAYS, DELUGE, HUSKY 12, ALCO-LITE LADDERS	DRAWN BY	AMI
FOR	HAYS COUNTY ESD #6 DRIPPING SPRINGS, TEXAS	CHECKED BY	NPE
DWG NO.	33371AD	SHEET SIZE	D
		SHEET NO.	1 OF 1