

Pumper, PUC

BODY

Pumper, PUC, Aluminum

CHASSIS

Enforcer Chassis, PUC

CHASSIS AXLE, FRONT, CUSTOM

19,500 Lb TAK-4 Axle

AXLE, REAR

27,000 Lb Dana Axle

ENGINE

525 HP DD13 Engine

TRANSMISSION

Allison 5th Gen, 4000 EVS P

BUMPER

19" Extended Painted Steel

CAB

7010 Enforcer Cab, PUC

BODY

WATER TANK

750 Gallon Poly Water Tank

COMPT, PUMPER, REAR

33.50" FF RollUp Rear Compt w/Tailboard, PUC

COMPT, PUMPER, LEFT SIDE

189" RollUp Full Height & Depth Front & Rear, PUC

COMPT, PUMPER, RIGHT SIDE

189" RollUp Full Height & Depth Front & Rear, PUC

FIRE SUPPRESSION PUMPHOUSE

Control Zone, PUC

PUMP

1500 GPM Pierce PUC

CROSSLAYS, 1.50"

(2) 1.50", Poly Trays, 200"

CROSSLAYS, 2.50"

2.50" Crosslay Not Required

GENERATOR

Generator Not Required

Foam System

Husky 12 Single Agent Foam System
Hercules 140CFM CAFS

Foam Cell

30 Gallon Foam Cell, Not Reduced Water, PUC

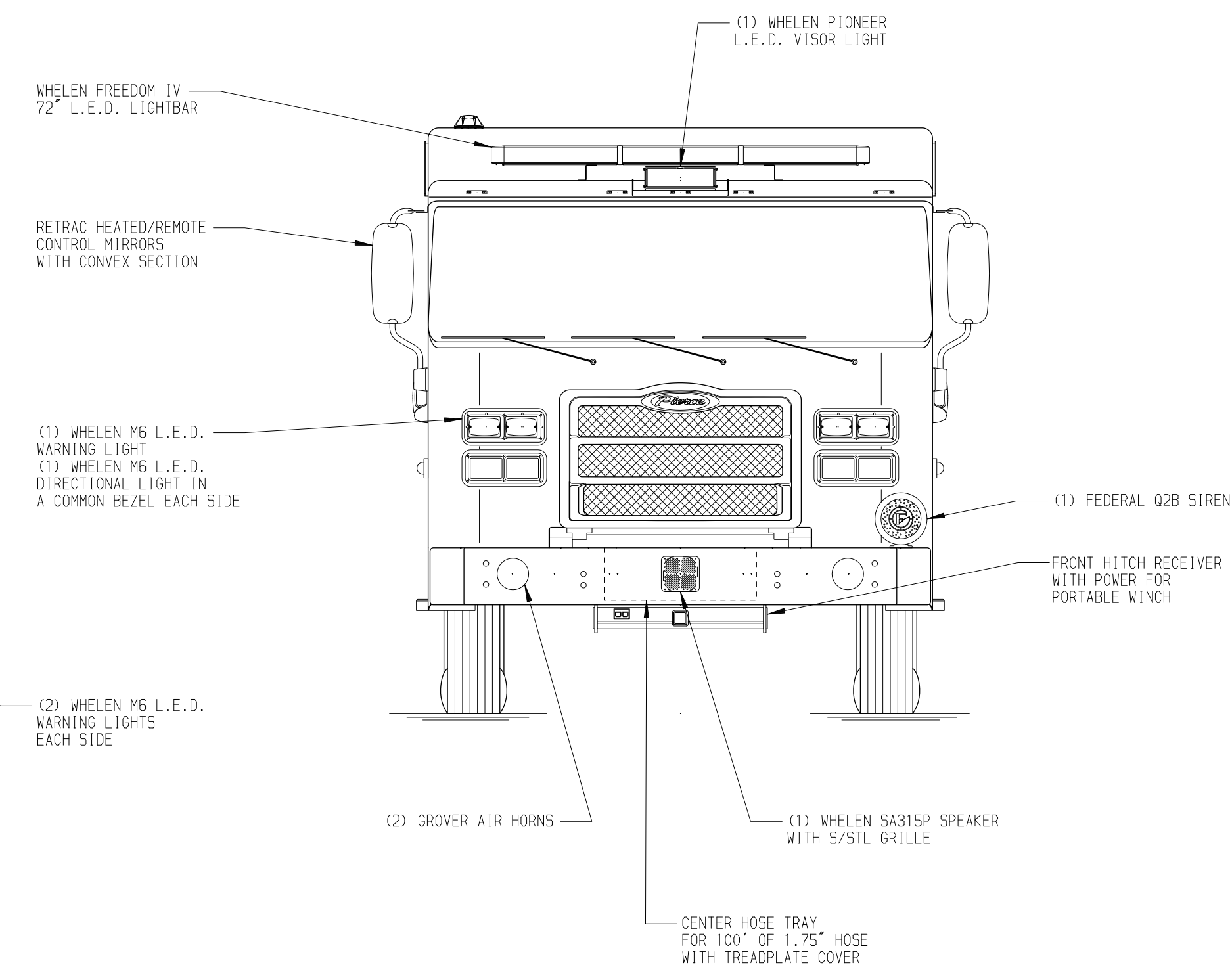
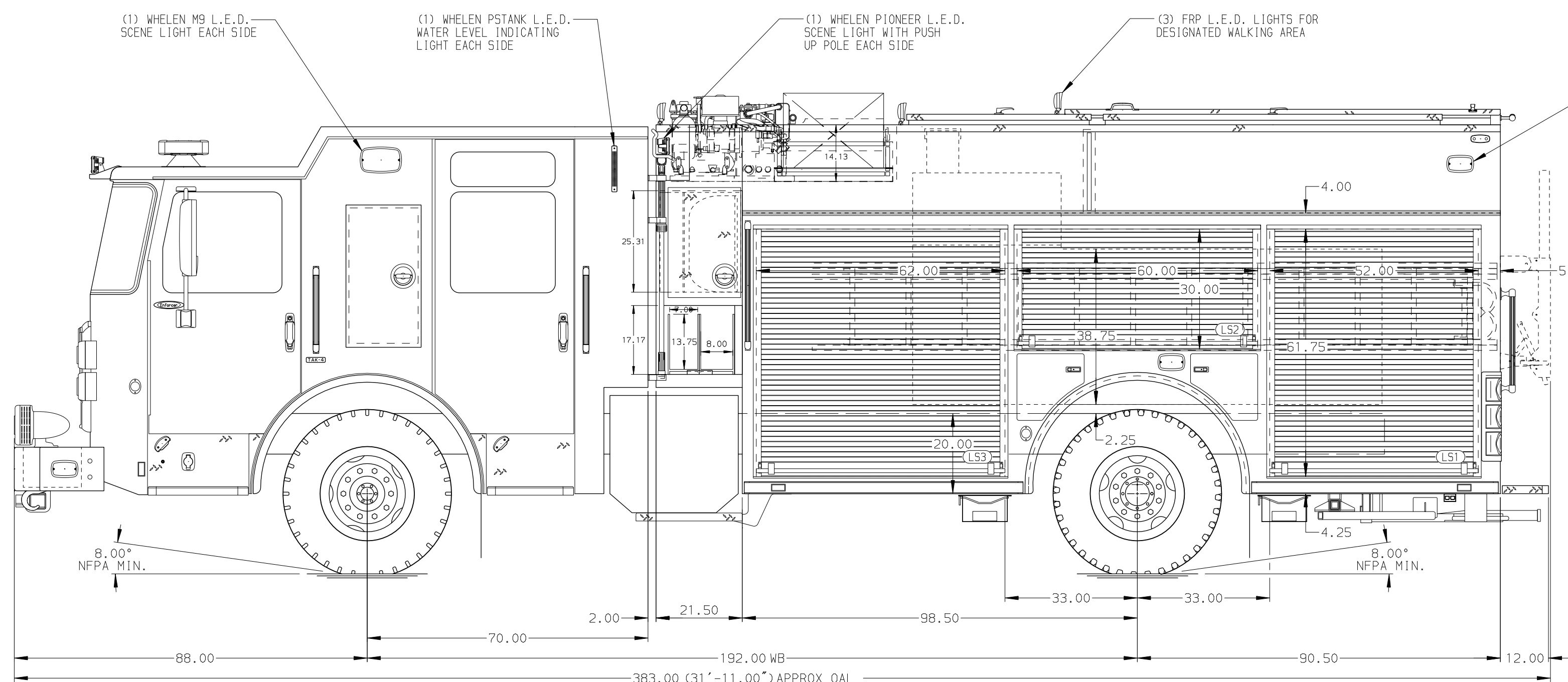
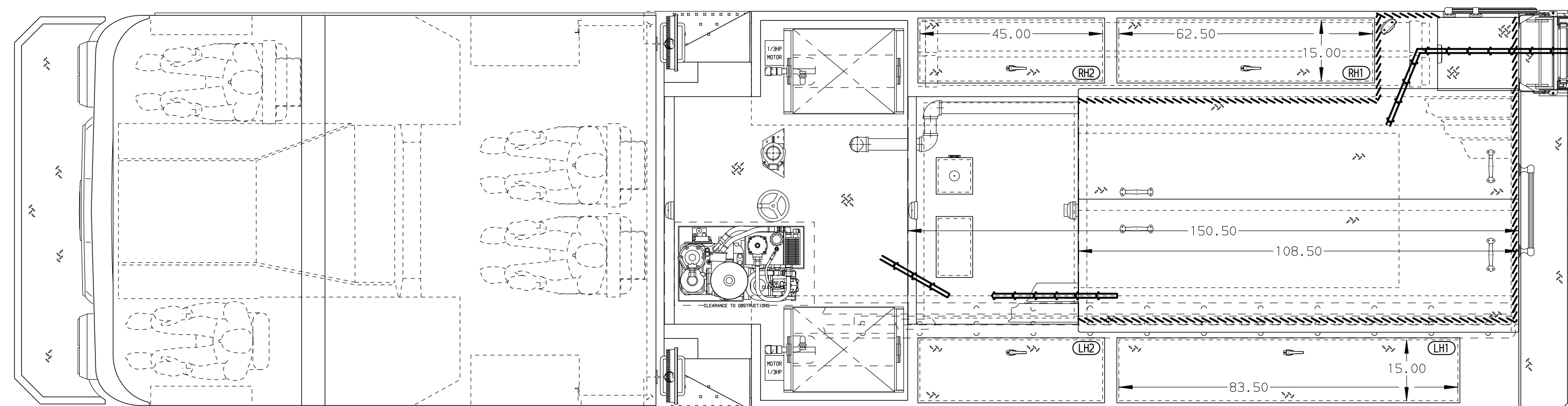
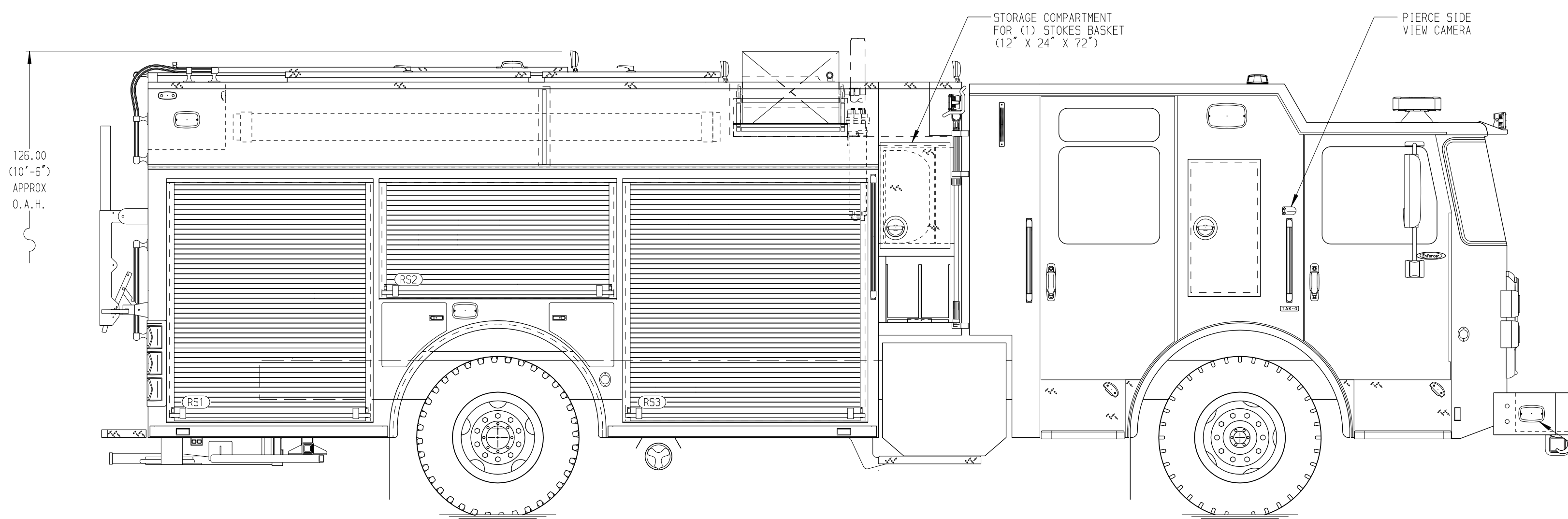
Side Roll and Frontal Impact Protection

NOTE

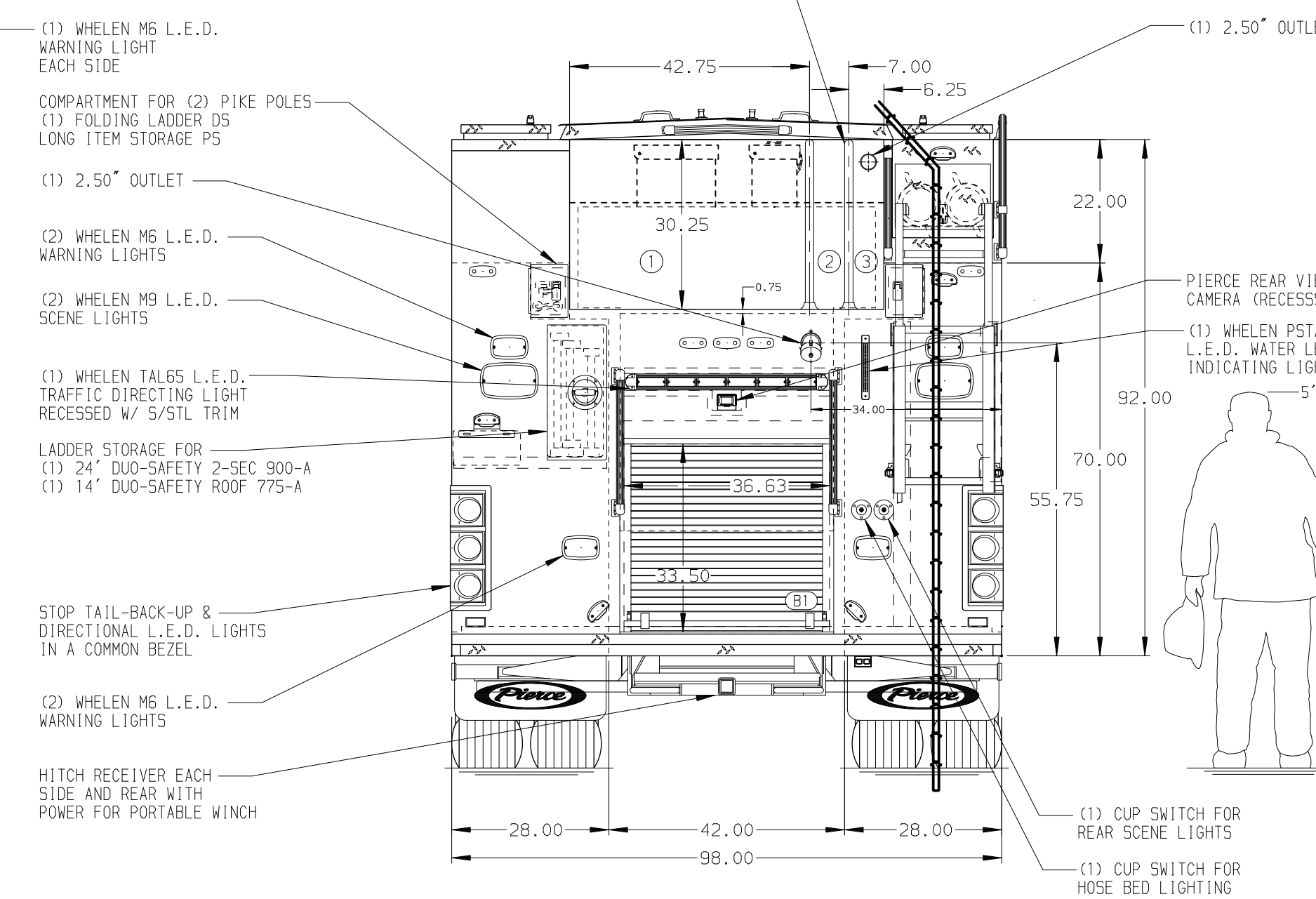
DIMENSIONS SHOWN ARE APPROXIMATE AND ARE SUBJECT TO MINOR DEVIATIONS AS MAY OCCUR OR BE NECESSARY IN CONSTRUCTION. MINOR DETAILS NOT SHOWN.

- ONE 1.50 OUTLET WITH 2.00 PIPING AND SWIVEL LOCATED IN CENTER BUMPER TRAY
- SHORELINE RECEPTACLE WITH KUSSMAUL SUPER AUTO-EJECT LOCATED IN DRIVER'S STEP AREA
- AIR INLET WITH DISCONNECT COUPLING IN THE DRIVER SIDE STEPWELL
- BATTERY CHARGER LOCATED IN COMPARTMENT PER SHOP ORDER
- BATTERY CHARGE INDICATOR LOCATED ON THE DRIVER SIDE SEAT RISER
- EIGHT ADJUSTABLE SHELVES LOCATED PER SHOP ORDER
- THREE FLOOR MOUNTED SLIDE-OUT TRAYS LOCATED PER SHOP ORDER
- TWO TILTING/SLIDE-OUT TRAYS LOCATED PER SHOP ORDER
- ONE SWING-OUT TOOLBOARD LOCATED PER SHOP ORDER
- ALUMINUM PEGBOARD LOCATED ON COMPARTMENT WALLS PER SHOP ORDER

- CTECH TWO DRAWER ASSEMBLY LOCATED PER SHOP ORDER
- THREE VERTICAL PARTITIONS LOCATED PER SHOP ORDER
- ALUMINUM PEGBOARD LOCATED PER SHOP ORDER
- ROLLED HOSE STORAGE LOCATED PER SHOP ORDER
- AUTOMATIC TIRE CHAINS
- TWO HANNAY BOOSTER REELS MODEL EF32-21-22-B WITH CAPACITY FOR 150' OF 1.00" BOOSTER HOSE LOCATED IN CARGO AREA
- ONE FLOOR MOUNTED SLIDE-OUT TRAY W/ SPECIAL SIDES LOCATED PER SHOP ORDER
- ONE 120V DUPLEX RECEPTACLE LOCATED PER SHOP ORDER



HOSEBED CAPACITY	
BED 1	1000' OF 5.00" D.J. POLY HOSE
BED 2	250' OF 2.50" D.J. POLY HOSE
BED 3	250' OF 2.50" D.J. POLY HOSE



		JOB NO.	33373
		SCALE	DATE
Pierce MANUFACTURING INC.		TITLE	Pierce PUC Pumper Approval Drawing
		MAKE	Burley Fire Department
PIERCE		FOR	
		CHECKED BY	KBO 25JAN19
ENFORCER		DWG NO.	33373AD
		SHEET SIZE	SHEET NO.
		D	1 OF 1

REV	DATE	BY	CH	ENFORCER
15MAR19	COL	KBO		PIERCE
06FEB19	COL	EFA		MODEL