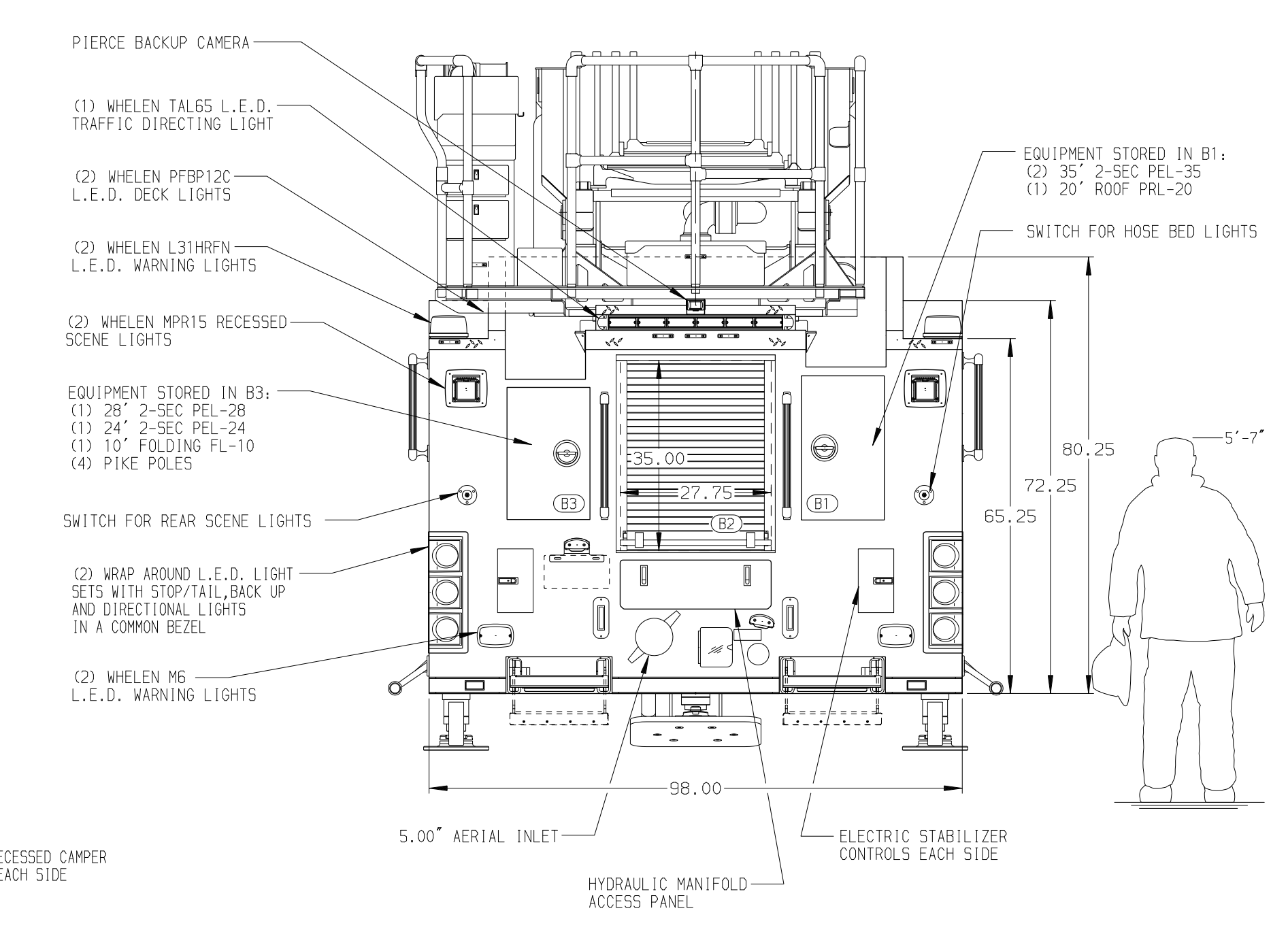


<b>BODY</b> 107' ASL Aluminum Body PUC <b>COMPT, DRIVER SIDE FRONT</b> Full Height RollUp Forward <b>COMPT, DRIVER SIDE REAR</b> Full Height RollUp Rearward <b>COMPT, PASSENGER SIDE FRONT</b> Full Height RollUp Forward <b>COMPT, PASSENGER SIDE REAR</b> Full Height RollUp Rearward	<b>WATER TANK</b> 500 Gallon Poly Water Tank <b>Foam System</b> Plumbing for Future Husky Foam System <b>Foam Cell</b> 20 Gallon Foam Cell, Non-Reduced Water, PUC
---	---



<b>CHASSIS</b> Enforcer Chassis, PUC <b>ENGINE</b> 450 HP Cummins L9 Engine	<b>CAB</b> 7010 Notched Enforcer Cab, PUC <b>BUMPER</b> 22" Extended Stainless Steel	<b>AXLE, FRONT, CUSTOM</b> 22,800 Lb TAK-4 Axle <b>AXLE, REAR</b> 33,500 Lb Meritor Axle	<b>TRANSMISSION</b> Allison 5th Gen, 3000 EV5 P	<b>PUMPHOUSE</b> Control Zone, PAL/PAP PUC <b>PUMP</b> 1500 GPM Pierce PUC	<b>CROSSLAYS, 1.50"</b> (2) 1.50", Full Width Trays, 200' <b>CROSSLAYS, 2.50"</b> (1) 2.50", Full Width Tray, 200'	<b>SPEEDLAYS</b> Speedlays Not Required <b>GENERATOR</b> Generator Not Required	<b>SAFETY</b> Side Roll and Frontal Impact Protection	<b>CUSTOMER APPROVAL</b> APPROVED BY: _____ DATE: _____		JOB NO. 33380 SCALE 1:24 DATE DRAWN BY LWE 03JAN19 CHECKED BY THS 04JAN19 SHEET SIZE D SHEET NO. 1 OF 1		
<b>NOTE</b> DIMENSIONS SHOWN ARE APPROXIMATE AND ARE SUBJECT TO MINOR DEVIATIONS AS MAY OCCUR OR BE NECESSARY IN CONSTRUCTION. MINOR DETAILS NOT SHOWN.		1. ONE 1.50 OUTLET WITH 2.00 PIPING AND SWIVEL LOCATED IN CENTER BUMPER TRAY 2. SHORELINE RECEPTACLE WITH KUSSMAUL SUPER AUTO-EJECT LOCATED ON DRIVER SIDE OF THE CAB 3. AIR INLET WITH DISCONNECT COUPLING IN THE DRIVER SIDE STEPWELL 4. BATTERY CHARGER LOCATED BEHIND DRIVER'S SEAT 5. BATTERY CHARGE INDICATOR LOCATED ON DRIVER SIDE OF THE CAB 6. SIX ADJUSTABLE SHELVES IN COMPARTMENTS PER SHOP ORDER 7. FOUR FLOOR MOUNTED SLIDE-OUT TRAYS IN COMPARTMENTS PER SHOP ORDER 8. PLUMBING FOR FUTURE HUSKY 3/12 FOAM SYSTEM PER SHOP ORDER 9. 1500 GPM HIGH FLOW WATERWAY			10. NON-RAISED AERIAL PEDESTAL 11. NO LIMITED RETRACTION			TITLE 107' ASCENDANT AERIAL LADDER AND BODY ASSEMBLY MAKE PIERCE FOR PIERCE FIELD UNIT APPLETON, WISCONSIN DWG NO. 33380AD				