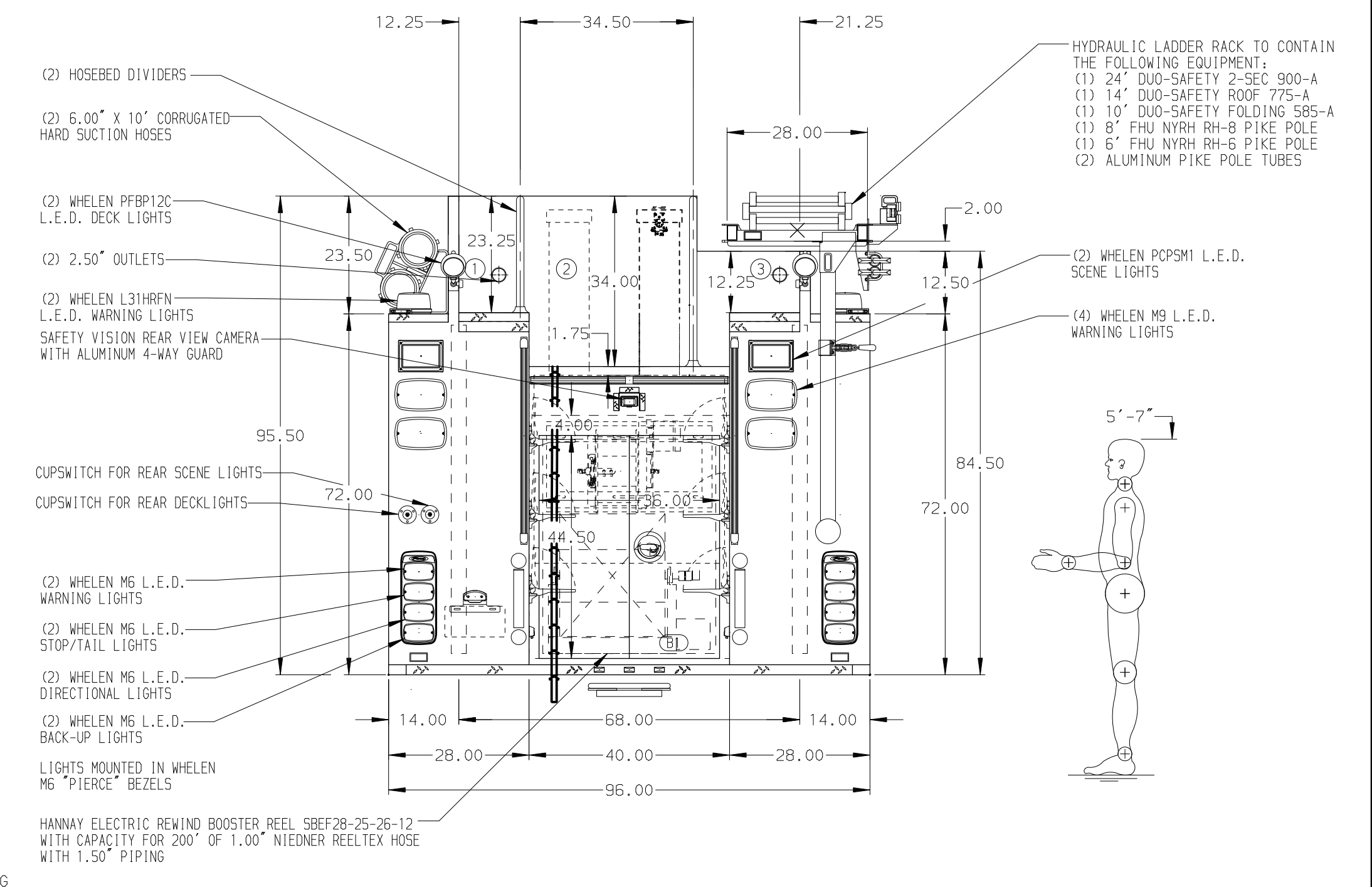
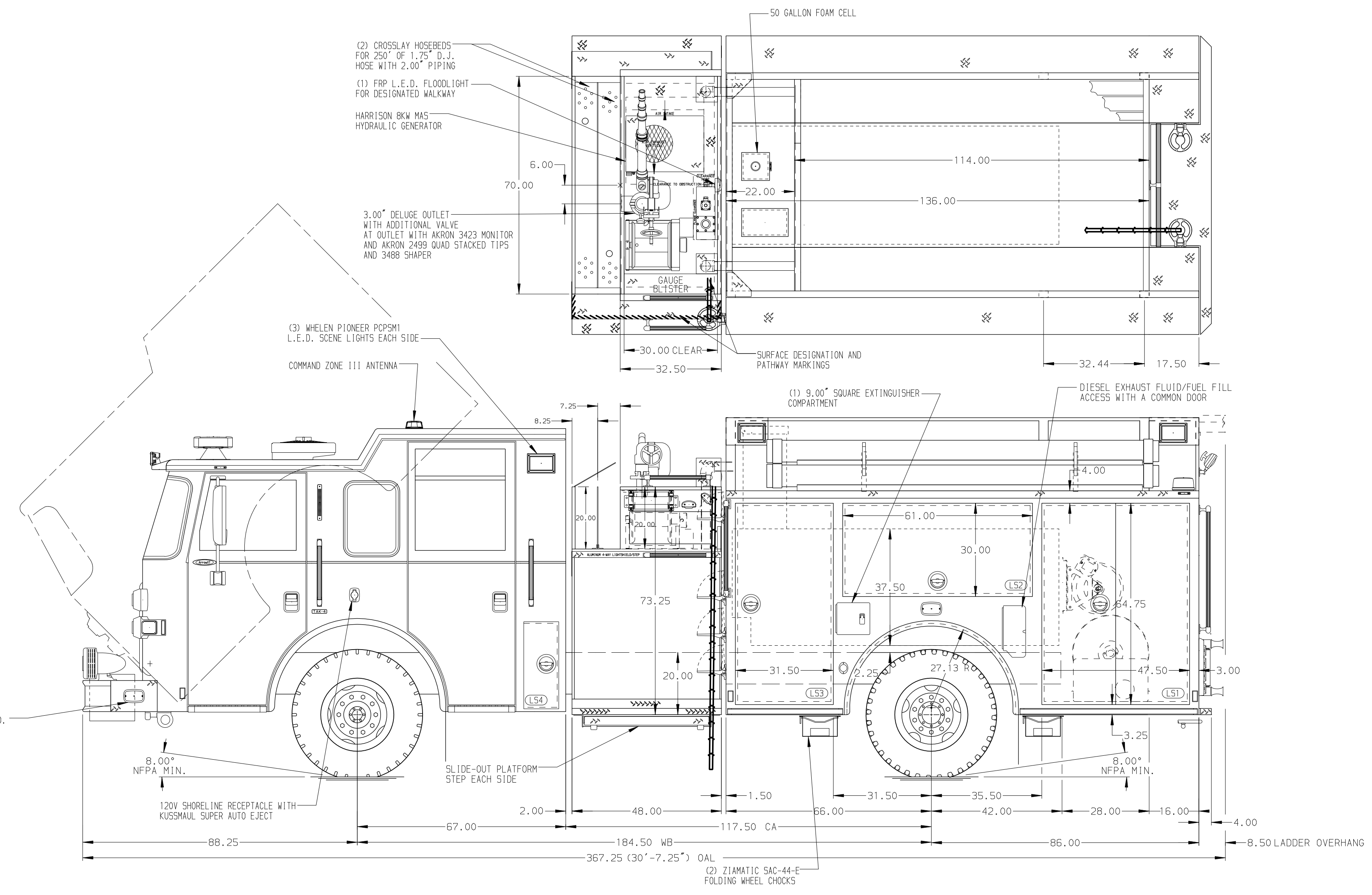


- HOSEBED CAPACITIES**
- ① 500' OF 3.00" HOSE
 - ② 1000' OF 5.00" HOSE
 - ③ 500' OF 3.00" HOSE



ALUMINUM BODY

SIDE ROLL AND FRONTAL IMPACT PROTECTION

NOTE
DIMENSIONS SHOWN ARE APPROXIMATE AND ARE SUBJECT TO MINOR DEVIATIONS AS MAY OCCUR OR BE NECESSARY IN CONSTRUCTION. MINOR DETAILS NOT SHOWN.

1. ONSPOT AUTOMATIC TIRE CHAINS PROVIDED AT THE REAR
2. ANCHOR PLATE FOR NEDERMAN EXHAUST SYSTEM HOSE ON DOOR OF RS3
3. BATTERY CHARGER/COMPRESSOR IN LS3
4. BATTERY CHARGER INDICATOR LOCATED ON DRIVER'S SIDE STEP AREA
5. REVERSED HINGED DOOR ON LS3
6. FULL WIDTH/DEPTH ADJUSTABLE SHELVES TWO IN LS3 AND RS3 AND ONE IN LS1 AND RS1
7. ONE ADJUSTABLE SLIDE-OUT TRAY IN LS1, LS2, AND RS1, AND RS2
8. ONE FLOOR MOUNTED SLIDE-OUT TRAY IN LS1 AND RS1
9. CIRCUIT BREAKER PANEL IN LS3
10. ONE AKRON MODEL ERWC-15-10 ELECTRIC REWIND CORD REEL WITH 200' OF 10/3 CABLE IN DRIVER'S SIDE OF THE CARGO AREA

11. (1) 30A 240V RECEPTACLE TWIST LOCK WEATHER PROOF RECEPTACLE IN RS1
12. ONE HANNAY MODEL 2016-17-18 HYDRAULIC REEL WITH A CAPACITY FOR 100' OF 0.25" DUAL HOSE LOCATED IN B1
13. ONE VERTICAL DIVIDER IN RS3
14. SHELF TRACKS IN ALL BODY COMPARTMENTS
15. DRI-DECK MATTING IN ALL SHELVES AND TRAYS AND ON FLOORS IN LS2, LS3, RS2, AND RS3

REV	DATE	BY	CH	ARROW	XT
27FEB19	LST	DTS			
04FEB19	LST	DTS			

		JOB NO.	33386
		SCALE	DATE
TITLE	1500-D-550P, 500 GAL OF WATER W/ 50 GAL FOAM CELL 152" RESCUE BODY, HYDRAULIC LADDER RACK, (2) X-LAYS	DRAWN BY	LST
FOR	NAUGATUCK FIRE DEPARTMENT NAUGATUCK, CONNECTICUT	CHECKED BY	AZA
DWG NO.	33386AD	SHEET SIZE	SHEET NO.
		D	1 OF 1