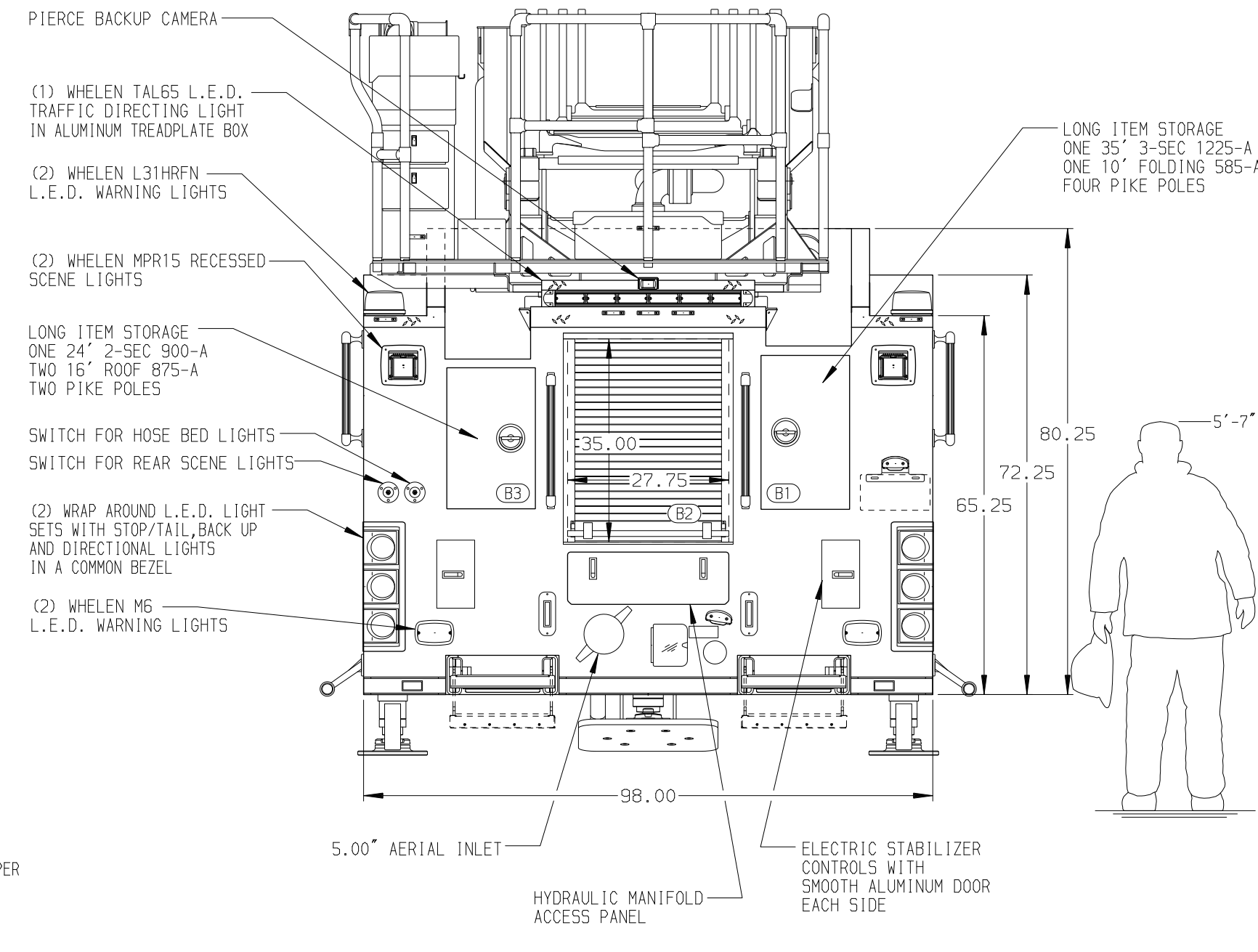
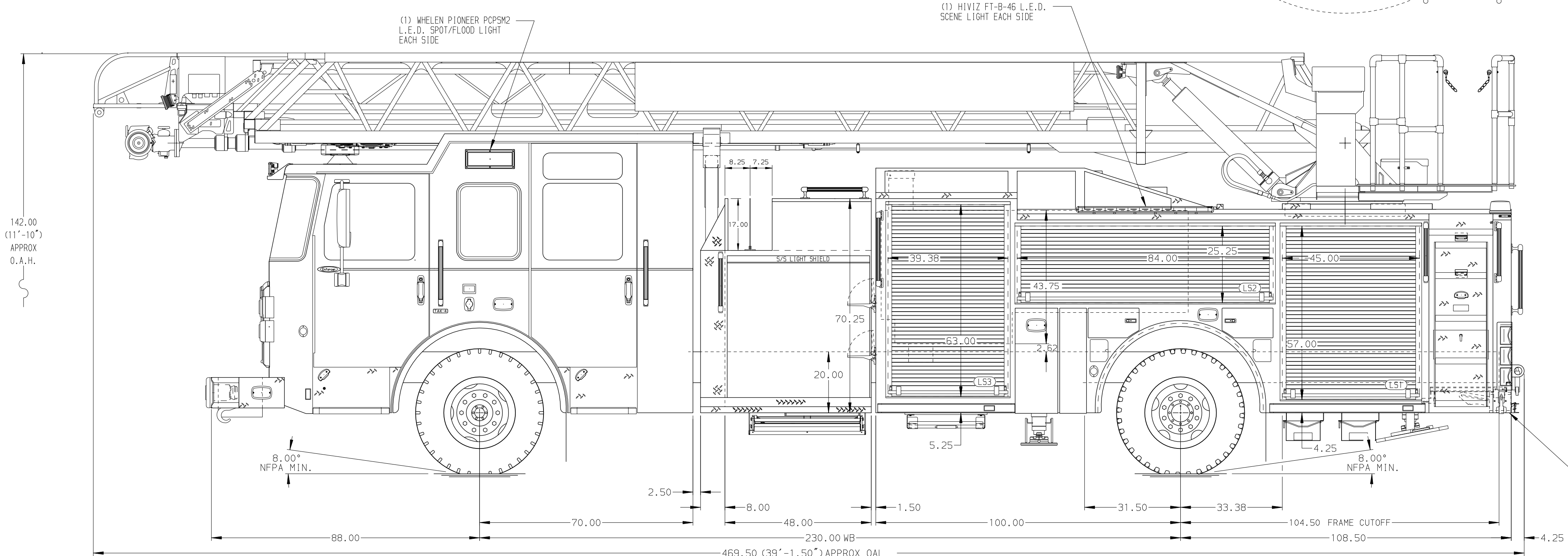


BODY	WATER TANK
107' ASL Aluminum Body	500 Gallon Poly Water Tank
COMPT, LEFT SIDE FRONT	Foam System
Full Height RollUp Forward	Foam System Not Required
COMPT, LEFT SIDE REAR	Foam Cell
Full Height RollUp Rearward	Foam Cell Not Required
COMPT, RIGHT SIDE FRONT	
Full Height RollUp Forward	
COMPT, RIGHT SIDE REAR	
Full Height RollUp Rearward	



CHASSIS Enforcer Chassis 450 HP Cummins L9 Engine	CAB 7010 Enforcer Notched Cab 19" Extended Stainless Steel BUMPER 19" Extended Stainless Steel	AXLE, FRONT, CUSTOM 22,800 Lb TAK-4 Axle AXLE, REAR 33,500 Lb Meritor Axle	TRANSMISSION Allison 5th Gen, 3000 EV5 P	PUMPHOUSE 48" Control Zone Side Mount 2000 GPM Waterous CSU	CROSSLAYS, 1.50" (2) 1.50" Standard Capacity CROSSLAYS, 2.50" 2.50" Crosslay Not Required	SPEEDLAYS Speedlays Not Required GENERATOR Generator Not Required
--	--	---	--	--	--	--

NOTE
DIMENSIONS SHOWN ARE APPROXIMATE AND ARE SUBJECT TO MINOR DEVIATIONS AS MAY OCCUR OR BE NECESSARY IN CONSTRUCTION. MINOR DETAILS NOT SHOWN.

- ONE 1.50" OUTLET WITH 2.00" PIPING AND SWIVEL LOCATED IN CENTER BUMPER TRAY
- SHORELINE RECEPTACLE WITH KISSMAIL SUPER AUTO-EJECT LOCATED ON DRIVER SIDE OF THE CAB
- AIR INLET WITH DISCONNECT COUPLING IN THE DRIVER SIDE STEPWELL
- BATTERY CHARGER LOCATED IN COMPARTMENT PER SHOP ORDER
- BATTERY CHARGE INDICATOR LOCATED ON DRIVERS SIDE CAB
- SIX ADJUSTABLE SHELVES IN COMPARTMENT PER SHOP ORDER
- FOUR FLOOR MOUNTED SLIDE-OUT TRAY IN COMPARTMENT PER SHOP ORDER
- NON-RAISED AERIAL PEDESTAL
- 1500 GPM HIGH FLOW WATERWAY
- LIMITED RETRACTION NOT REQUIRED

		JOB NO.	33431
		SCALE	DATE
TITLE	107' ASCENDANT AERIAL LADDER AND BODY ASSEMBLY	DRAWN BY	TKA
FOR	PIERCE FIELD UNIT APPLETON, WI	CHECKED BY	THS
DWG NO.	33431AD	SHEET SIZE	SHEET NO.
		D	1 OF 1

CHASSIS DATA	MAKE	PIERCE	MODEL
ENFORCER	05MAR19	TKA	THS
REV	DATE	BY	CH