

RIGHT SIDE COMPARTMENTS CONTAIN THE FOLLOWING:

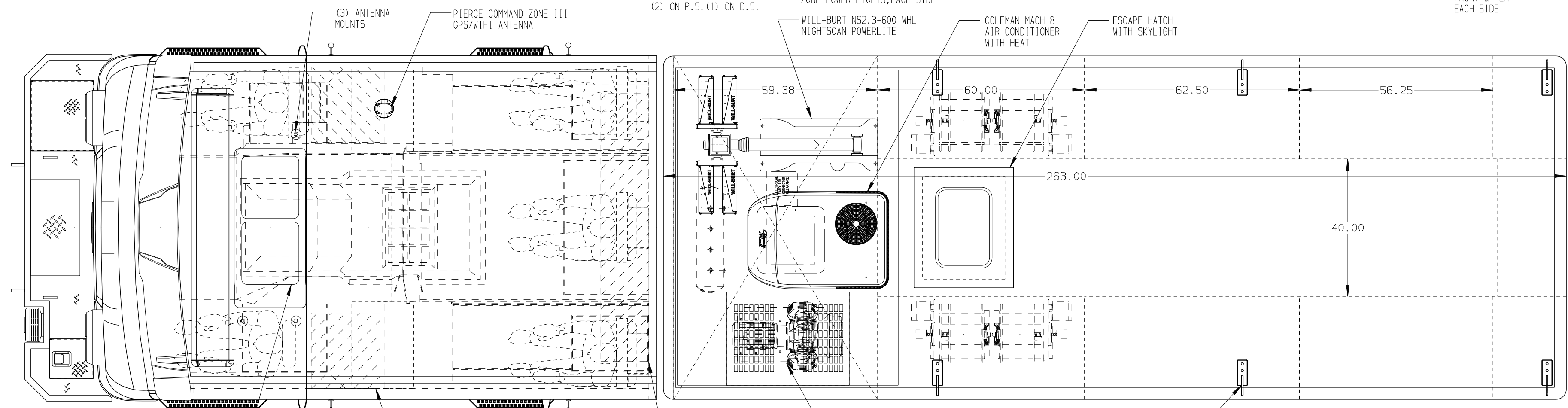
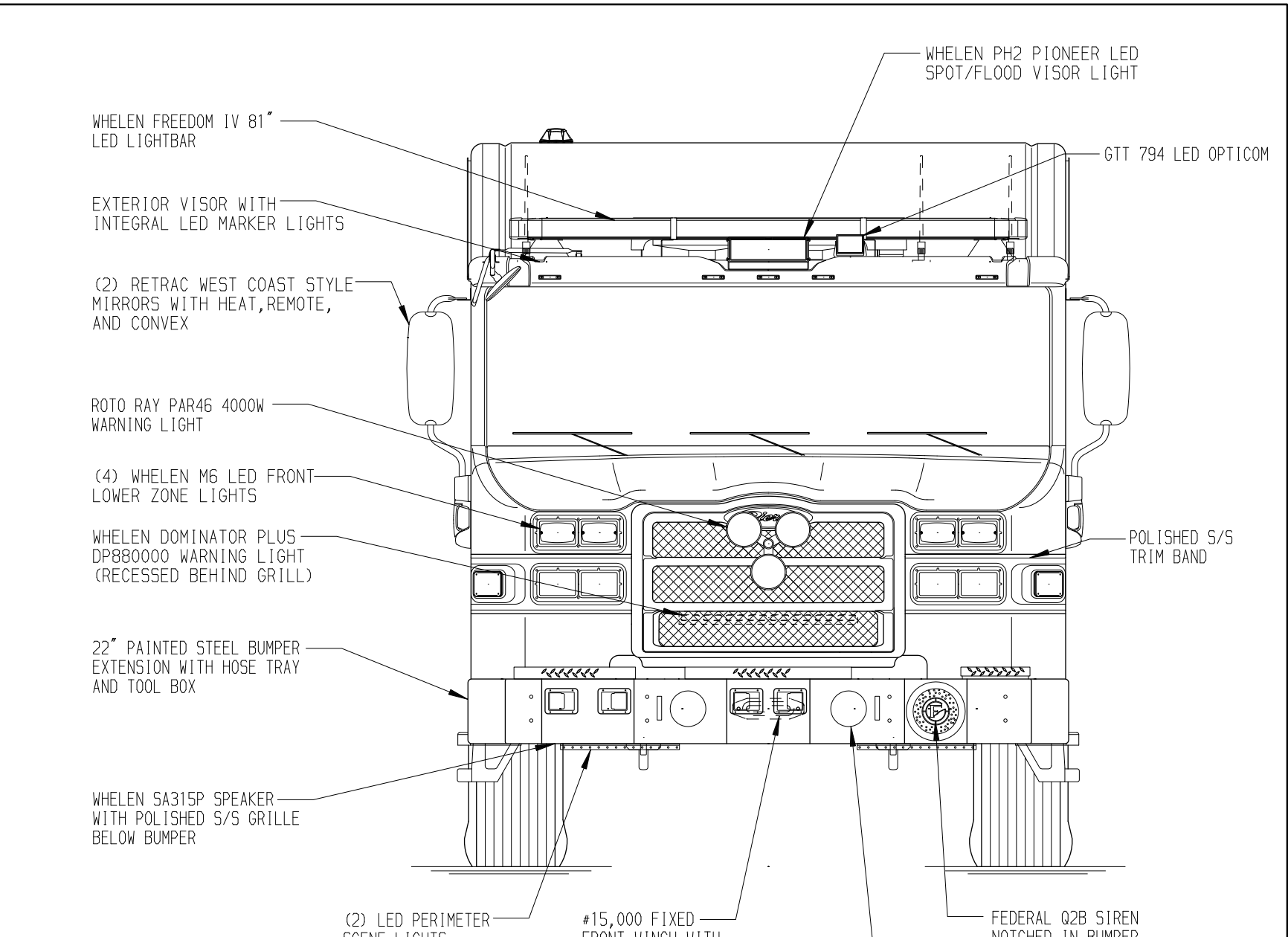
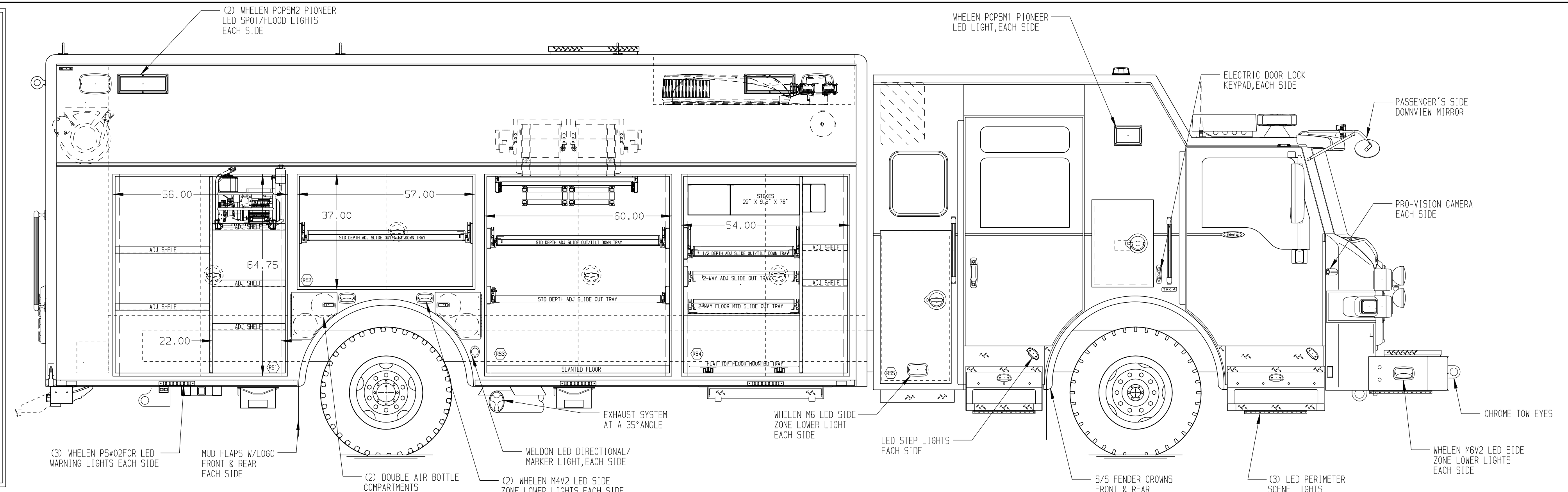
COMPARTMENT R51 CONTAINS:
- (5) STD DEPTH ADJ SHELVES
- (1) VERTICAL COMPARTMENT DIVIDER
- (1) 30A, 240V T.L. RECEPTACLE
- (1) HYDRAULIC POWER UNIT

COMPARTMENT R52 CONTAINS:
- (1) STD DEPTH ADJ SLIDE OUT/TILT TRAY

COMPARTMENT R53 CONTAINS:
- (1) STD DEPTH ADJ SLIDE OUT/TILT TRAY
- (1) STD DEPTH ADJ SLIDE OUT TRAY
- SLANTED COMPARTMENT FLOOR
- (2) HYDRAULIC REELS WITH 100' OF CORE TECH HOSE
- SLIDE OUT ROLLER GUIDE BRACKET

COMPARTMENT R54 CONTAINS:
- (1) VERTICAL COMPARTMENT DIVIDER
- (1) STOKES BASKET RACK
- (1) STORAGE TROUGH
- (1) 1/2 DEPTH ADJ SLIDE OUT/TILT TRAY
- (1) 2-WAY ADJ SLIDE OUT TRAY
- (1) 2-WAY FLOOR MOUNTED SLIDE OUT TRAY
- (1) FLAT TOP FLOOR MOUNTED TRAY
- (2) STD DEPTH ADJ SHELVES
- (1) REAR WALL DIVIDER (FORWARD PORTION)
- (1) HORIZONTAL FLOOR EXTENSION

COMPARTMENT R55 CONTAINS:
-



REAR COMPARTMENTS CONTAINS THE FOLLOWING:

COMPARTMENT B1 CONTAINS:
- (2) ADJUSTABLE SHELVES
- (1) 20A, 120V DUPLEX RECEPTACLE
- (1) TOOL AIR REEL WITH 200' OF HOSE

COMPARTMENT B2 CONTAINS:
- (2) ADJUSTABLE SHELVES
- (1) ELECTRIC CORD REEL W/200' OF 10/3 YELLOW CORD

LEFT SIDE COMPARTMENTS CONTAIN THE FOLLOWING:

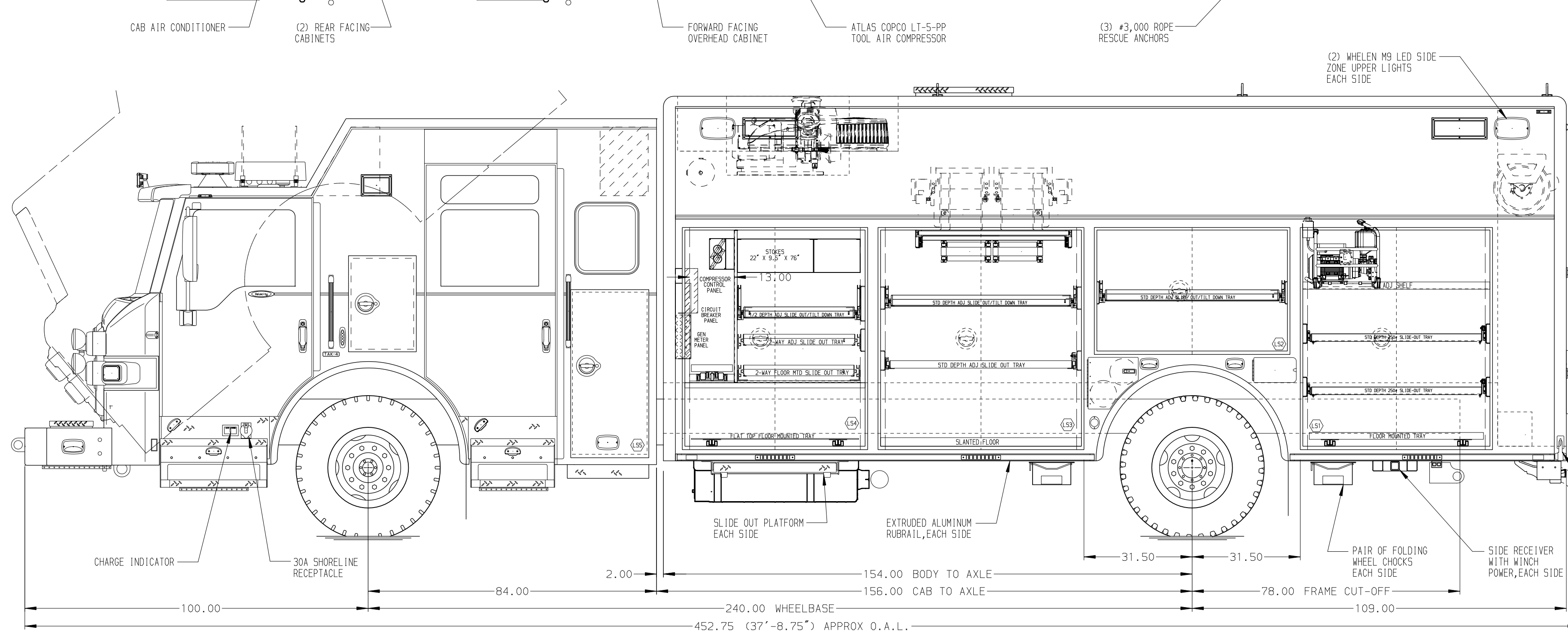
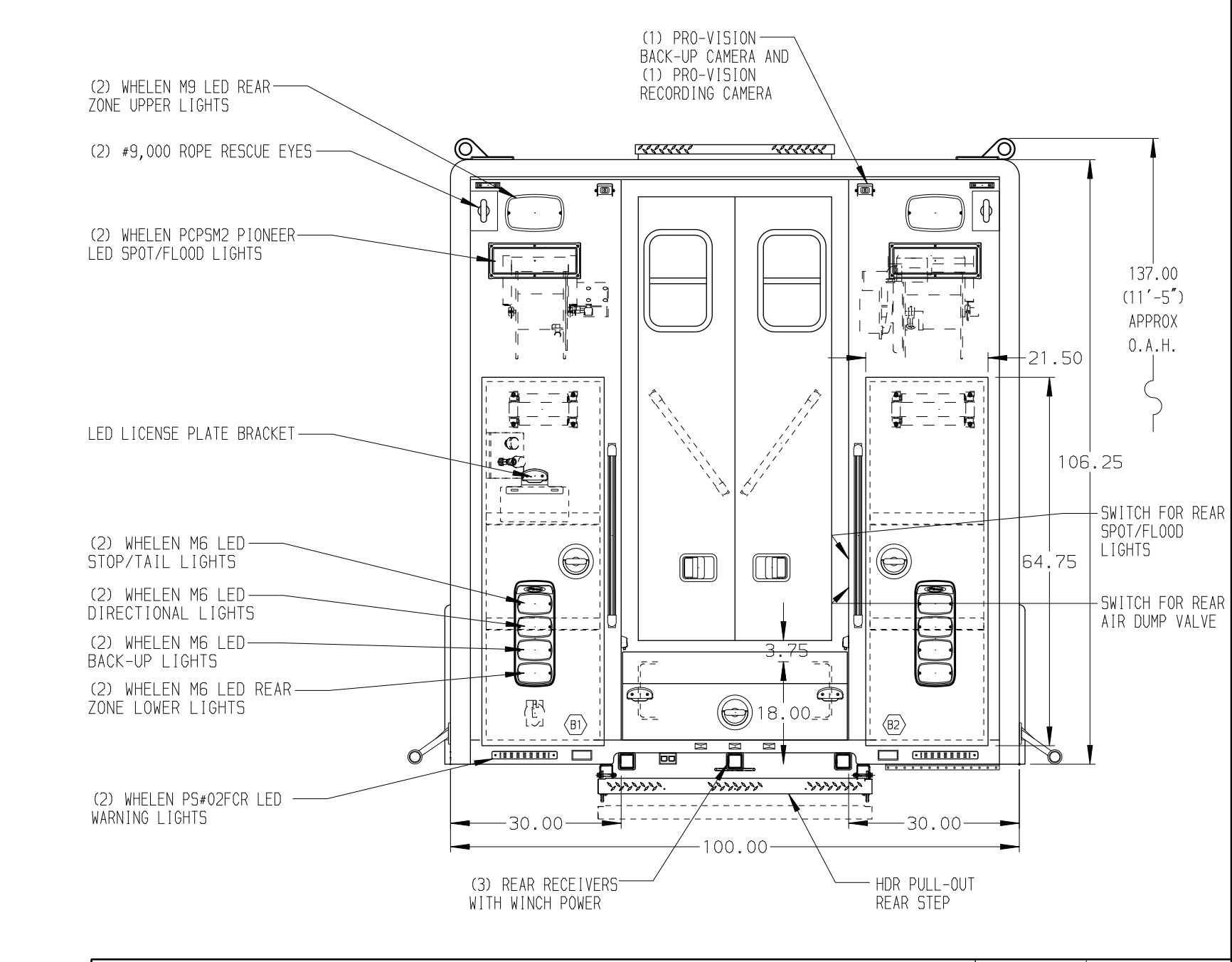
COMPARTMENT L51 CONTAINS:
- (1) STD DEPTH ADJ SHELF
- (2) STD DEPTH ADJ SLIDE OUT TRAYS
- (1) FLOOR MOUNTED TRAY
- (1) 30A, 240V T.L. RECEPTACLE
- (1) HYDRAULIC POWER UNIT

COMPARTMENT L52 CONTAINS:
- (1) STD DEPTH ADJ SLIDE OUT/TILT TRAY

COMPARTMENT L53 CONTAINS:
- (1) STD DEPTH ADJ SLIDE OUT/TILT TRAY
- (1) STD DEPTH ADJ SLIDE OUT TRAY
- SLANTED COMPARTMENT FLOOR
- (2) HYDRAULIC REELS WITH 100' OF CORE TECH HOSE
- SLIDE OUT ROLLER GUIDE BRACKET

COMPARTMENT L54 CONTAINS:
- (1) RACK FOR 3 PIKE POLES
- (1) VERTICAL COMPARTMENT DIVIDER
- (1) STOKES BASKET RACK
- (1) STORAGE TROUGH
- (1) 1/2 DEPTH ADJ SLIDE OUT/TILT TRAY
- (1) 2-WAY ADJ SLIDE OUT TRAY
- (1) 2-WAY FLOOR MOUNTED SLIDE OUT TRAY
- (1) FLAT TOP FLOOR MOUNTED TRAY
- (1) 3/4 DEPTH SLIDEMASTER TRAY
- (1) HORIZONTAL FLOOR EXTENSION
- (1) CIRCUIT BREAKER PANEL
- (1) GENERATOR METER PANEL
- (1) COMPRESSOR CONTROL PANEL
- (1) NIGHT SCAN CONTROLLER (LOCATE AT POST PAINT)

COMPARTMENT L55 CONTAINS:
-



COMPARTMENT L55 CONTAINS:
- MARKER LIGHT WITH RUBBER ARM EACH SIDE

NOTE:
DIMENSIONS SHOWN ARE APPROXIMATE AND ARE SUBJECT TO MINOR DEVIATIONS AS MAY OCCUR OR BE NECESSARY IN CONSTRUCTION. MINOR DETAILS NOT SHOWN.

- NOTES:**
- ONSPOT AUTOMATIC TIRE CHAINS
 - FLOOR IN CAB AND CREW CAB TO BE ALUMINUM TREADPLATE
 - POLISHED 5/5 SCUFFPLATES ON CAB AND CREW CAB DOORS
 - KUSMAK 1200 CHARGER LOCATED BEHIND THE DRIVER'S SEAT
 - AMOR LED LIGHT STRIPS IN ALL BODY COMPARTMENTS
 - ONAN 25kW SINGLE PHASE PTO DRIVEN GENERATOR WITH SPLASH GUARD LOCATED BETWEEN THE FRAME RAILS

SIDE ROLL AND FRONTAL IMPACT PROTECTION

AMOR ROLL UP DOORS:	GORTLITE ROLL UP DOORS:	PIERCE DOUBLE LAP DOORS:	PIERCE LIFT-UP LAP DOORS:	REV	DATE	BY	CH	CHASSIS DATA	MAKE	MODEL
-2 1/4"	-2 1/2"	-4 1/4"	-1 1/2"	09JUL19	DHE	CDK		VXFR820	PIERCE	
				28MAY19	DHE	CDK				
				30MAY19	DHE	CDK				
				04MAR19	DHE	CDK				

NOTE: LAP DOORS HAVE BEEN SHOWN IN HIDDEN LINES TO CLEARLY IDENTIFY THE EQUIPMENT IN EACH COMPARTMENT. DASHED LINES ON SIDES ARE DOORS IN OPEN POSITION

Pierce MANUFACTURING INC.

JOB NO. 33447

SCALE 1:24 DATE

TITLE HEAVY DUTY RESCUE WALK-IN/NON-WALK-IN COMBO

FOR LOUDOUN COUNTY VA

DRAWN BY DHE 15FEB19

CHECKED BY CDK 18FEB19

JOHN THOMPSON

DWG NO. 33447AD-SH1

SHEET SIZE D SHEET NO. 1 OF 1