

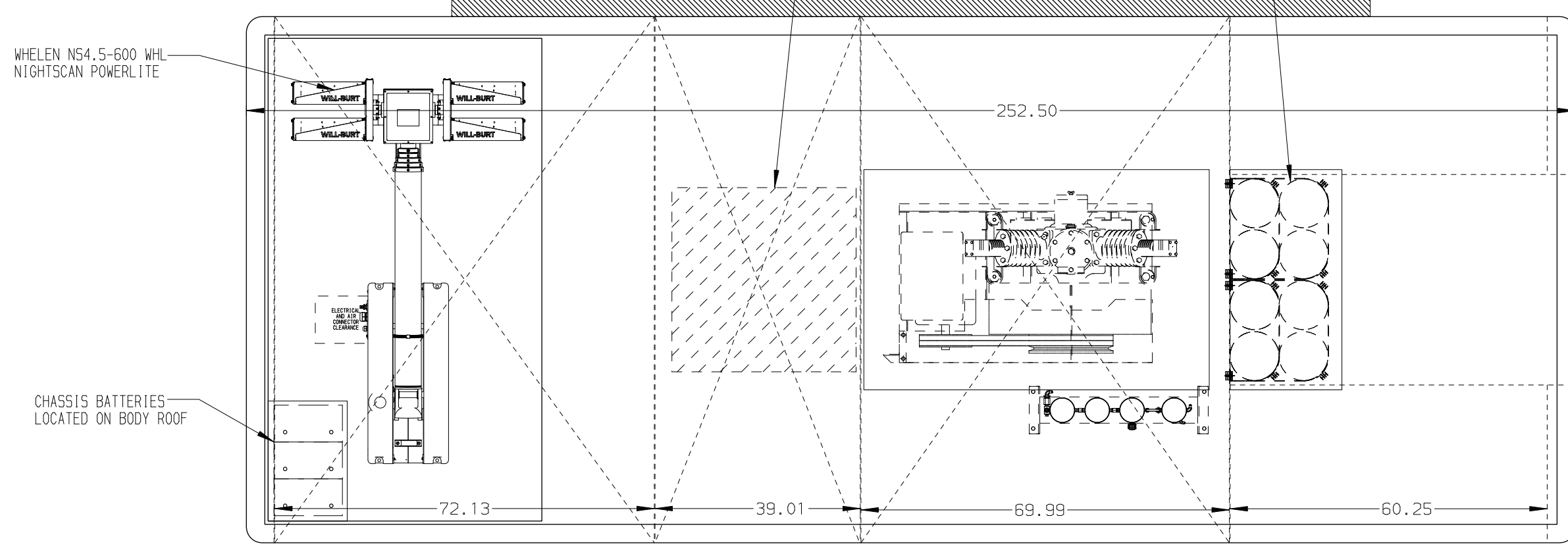
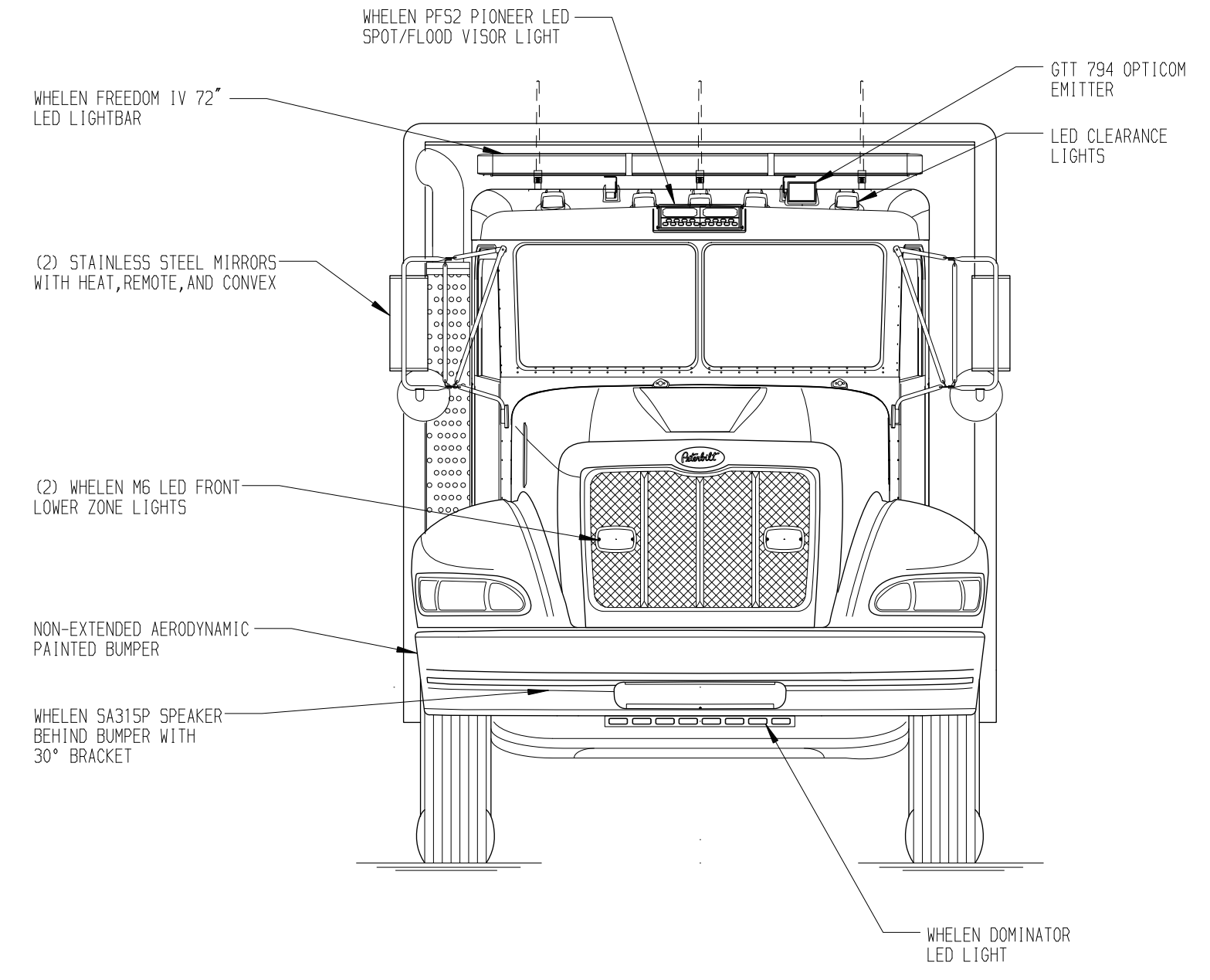
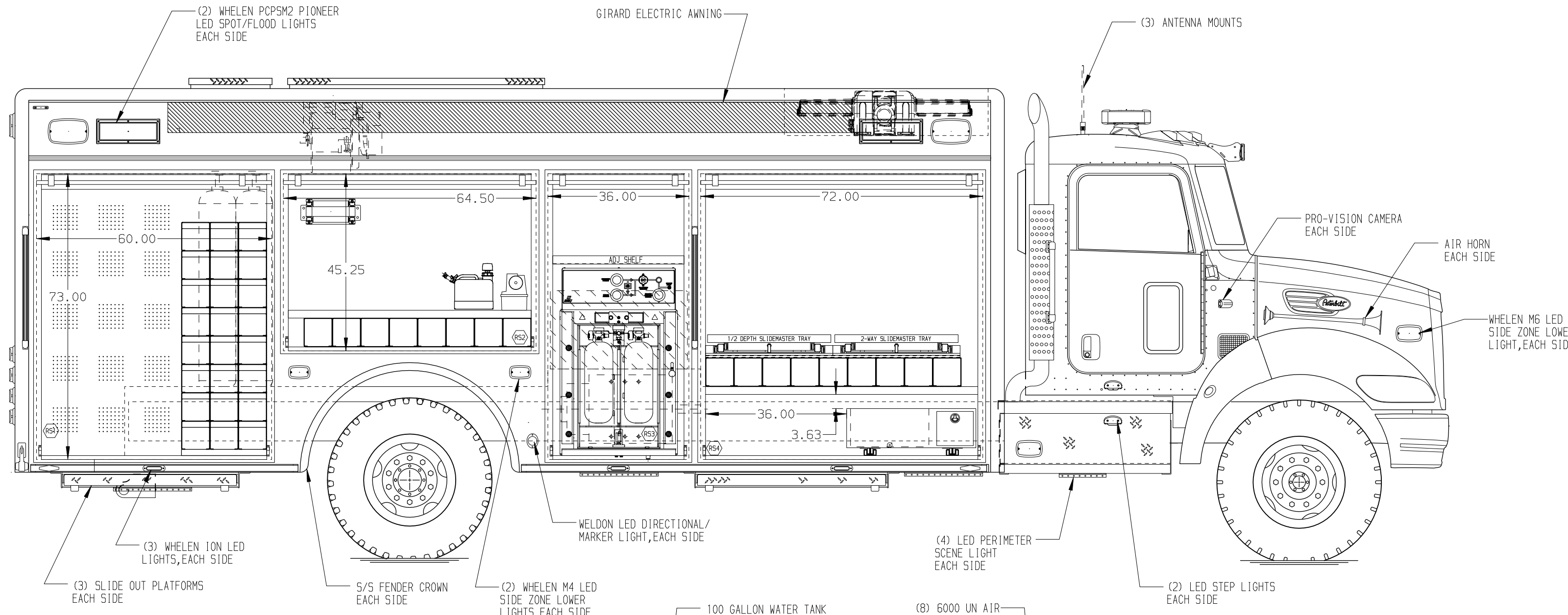
RIGHT SIDE COMPARTMENTS CONTAIN THE FOLLOWING:

COMPARTMENT RS1 CONTAINS:
 - (3) SPECIAL DEPTH ADJ SHELVES
 - (1) TRANSVERSE COMPARTMENT DIVIDER
 - PEGBOARD ON BACK WALL WITH TRACK
 - (1) RACK FOR 24 SCBA BOTTLES
 - (1) ELECTRIC CORD REEL WITH 200' OF 10/3 YELLOW CORD

COMPARTMENT RS2 CONTAINS:
 - (1) RACK FOR 16 SCBA BOTTLES
 - (7" SQUARE DOUBLE DEEP COMPARTMENTS)
 - (1) ELECTRIC CORD REEL WITH 200' OF 10/3 YELLOW CORD
 - (1) SCOTT 20HP BREATHING AIR COMPRESSOR

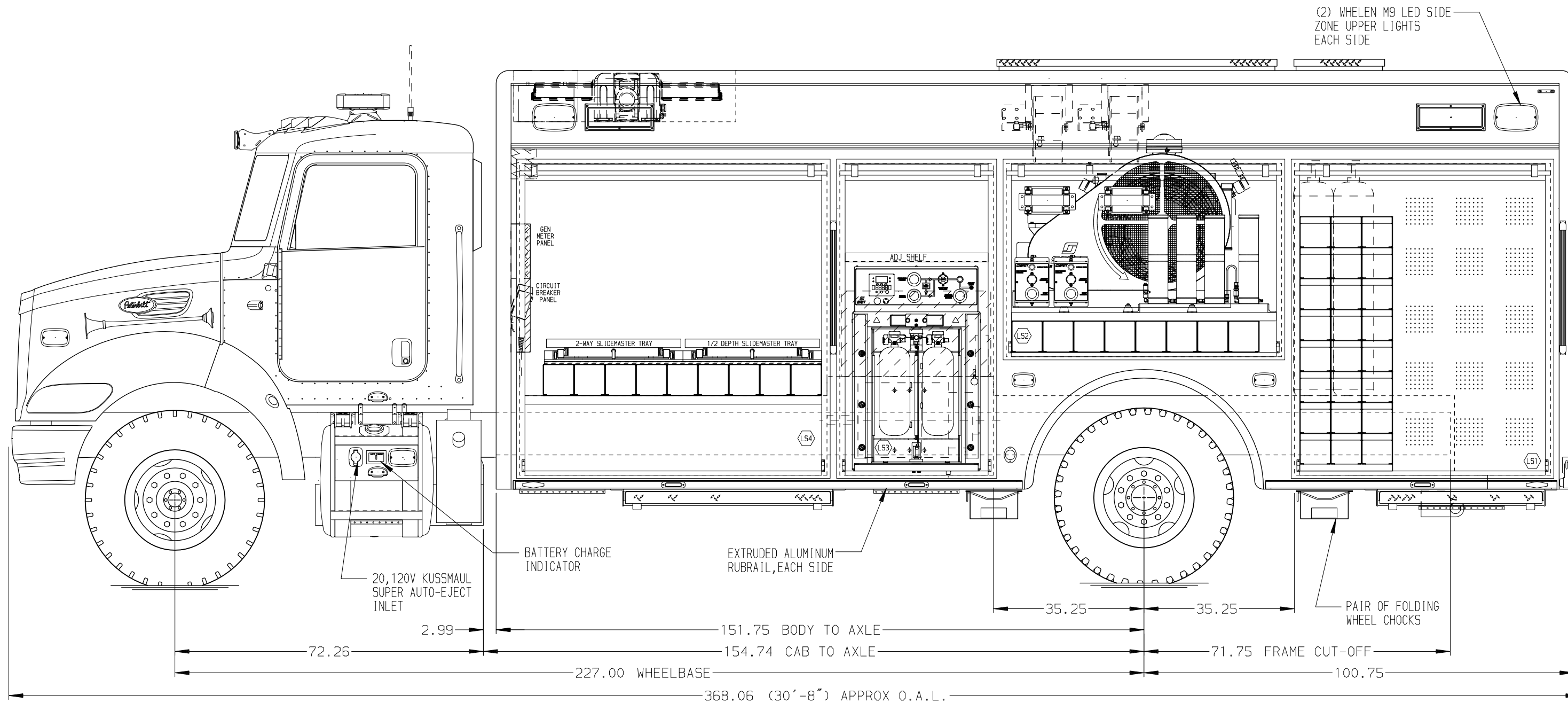
COMPARTMENT RS3 CONTAINS:
 - (1) USED REVOLVE AIR 2-BOTTLE FILL ENCLOSURE
 - (1) CASCADE SYSTEM FILL ENCLOSURE
 - (1) STD DEPTH ADJ SHELF

COMPARTMENT RS4 CONTAINS:
 - (1) SLIDE OUT SINK ENCLOSURE
 - (1) RACK FOR 18 SCBA BOTTLES
 - (7" SQUARE DOUBLE DEEP COMPARTMENTS)
 - (1) HORIZONTAL FLOOR EXTENSION
 - (1) 2-WAY SLIDEMASTER TRAY
 - (1) 1/2 DEPTH SLIDEMASTER TRAY



REAR COMPARTMENT CONTAINS THE FOLLOWING:

COMPARTMENT B1 CONTAINS:
 - (8) 6000 UN AIR STORAGE BOTTLES



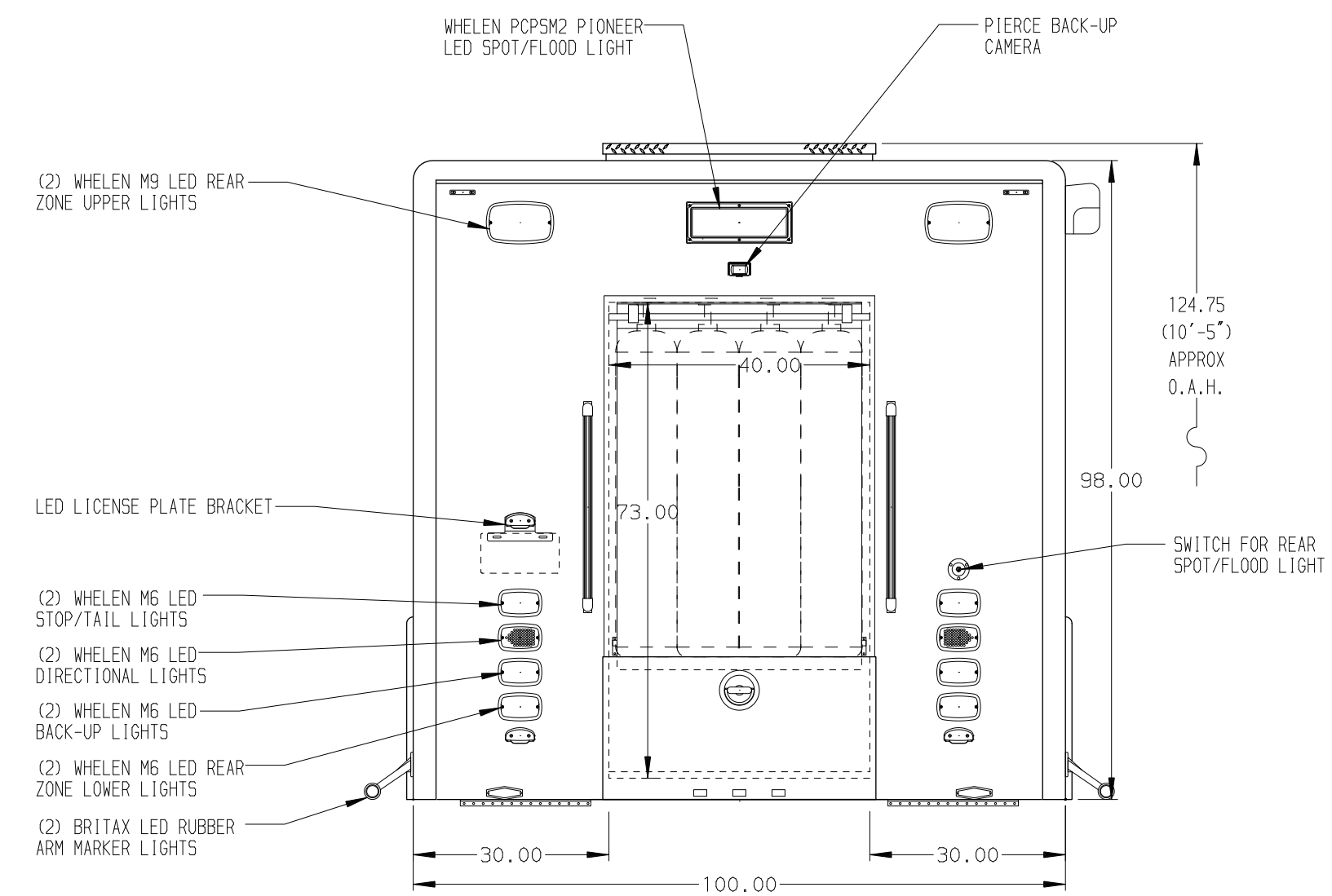
LEFT SIDE COMPARTMENTS CONTAIN THE FOLLOWING:

COMPARTMENT LS1 CONTAINS:
 - (1) RACK FOR 24 SCBA BOTTLES (7" SQUARE OPENINGS)
 - PEGBOARD ON BACK WALL

COMPARTMENT LS2 CONTAINS:
 - (1) RACK FOR 16 SCBA BOTTLES (7" SQUARE DOUBLE DEEP COMPARTMENTS)
 - (1) BREATHING AIR REEL W/200' OF HOSE
 - (1) TOOL AIR REEL W/150' OF HOSE
 - (1) SCOTT 20HP BREATHING AIR COMPRESSOR

COMPARTMENT LS3 CONTAINS:
 - (1) USED REVOLVE AIR 2-BOTTLE FILL ENCLOSURE
 - (1) CASCADE SYSTEM FILL ENCLOSURE
 - (1) STD DEPTH ADJ SHELF

COMPARTMENT LS4 CONTAINS:
 - (1) KUSSMAUL 1200 CHARGER
 - (1) CIRCUIT BREAKER PANEL
 - (1) GENERATOR METER PANEL
 - (1) NIGHTSCAN CONTROLLER
 - (1) RACK FOR 18 SCBA BOTTLES (7" SQUARE DOUBLE DEEP COMPARTMENTS)
 - (1) HORIZONTAL FLOOR EXTENSION
 - (1) 2-WAY SLIDEMASTER TRAY
 - (1) 1/2 DEPTH SLIDEMASTER TRAY



NOTE
 DIMENSIONS SHOWN ARE APPROXIMATE AND ARE SUBJECT TO MINOR DEVIATIONS AS MAY OCCUR OR BE NECESSARY IN CONSTRUCTION. MINOR DETAILS NOT SHOWN.

NOTES:
 1. AMDOR DUAL LED LIGHTS IN ALL BODY COMPARTMENTS
 2. LIMA 40kW THREE PHASE PTO DRIVEN GENERATOR LOCATED BETWEEN THE FRAME RAILS

		JOB NO.	33457
		SCALE	DATE
CHASSIS DATA TITLE: HEAVY DUTY RESCUE NON-WALK-IN MAKE: LOUDOUN COUNTY MODEL: LOUDOUN COUNTY, VA FOR: JOHN THOMPSON		DRAWN BY	DHE 23AUG18
		CHECKED BY	CDK 28FEB19
REV DATE BY CH 348		SHEET SIZE	SHEET NO.
DWG NO. 33457AD		D	1 OF 1