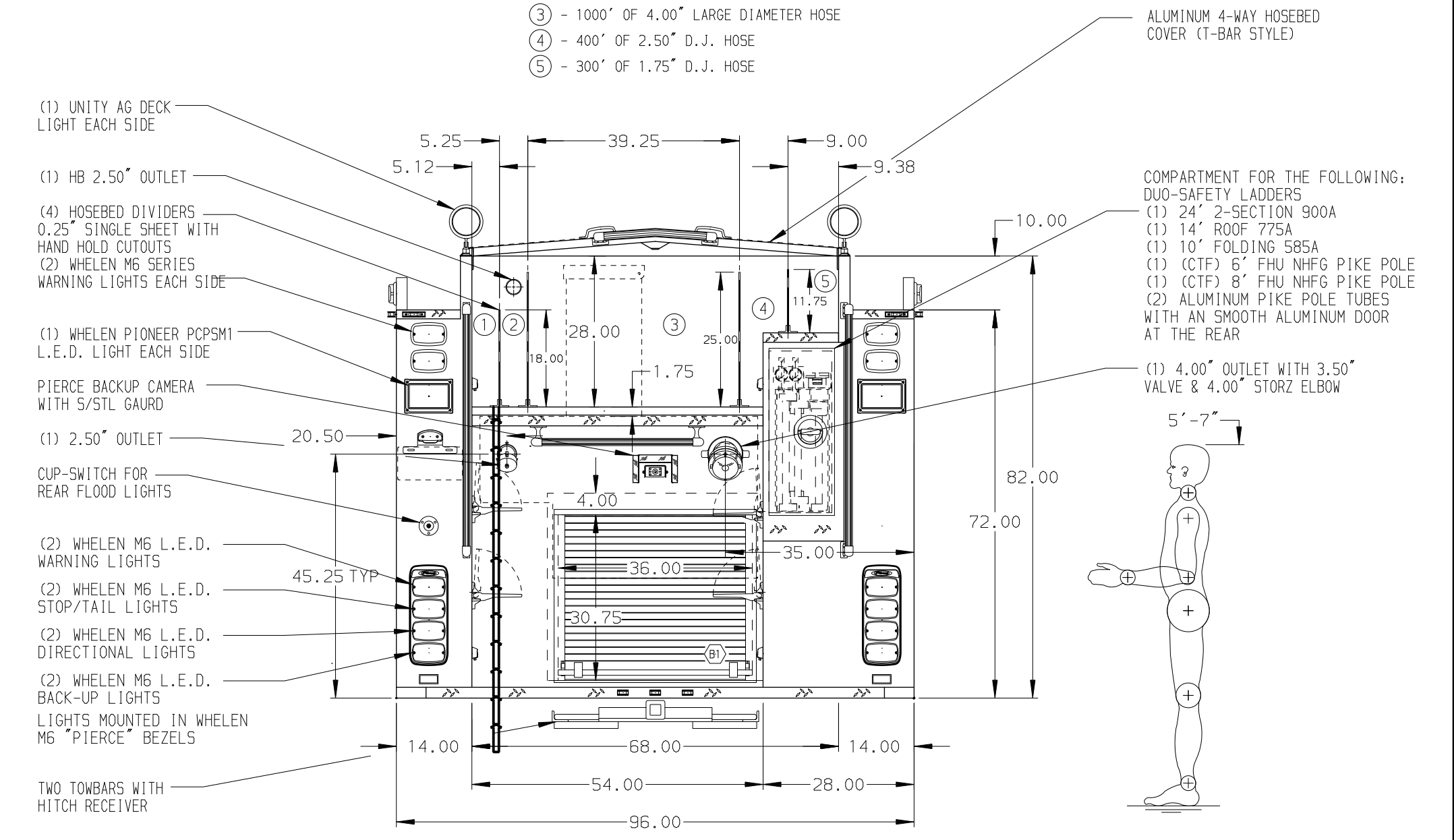
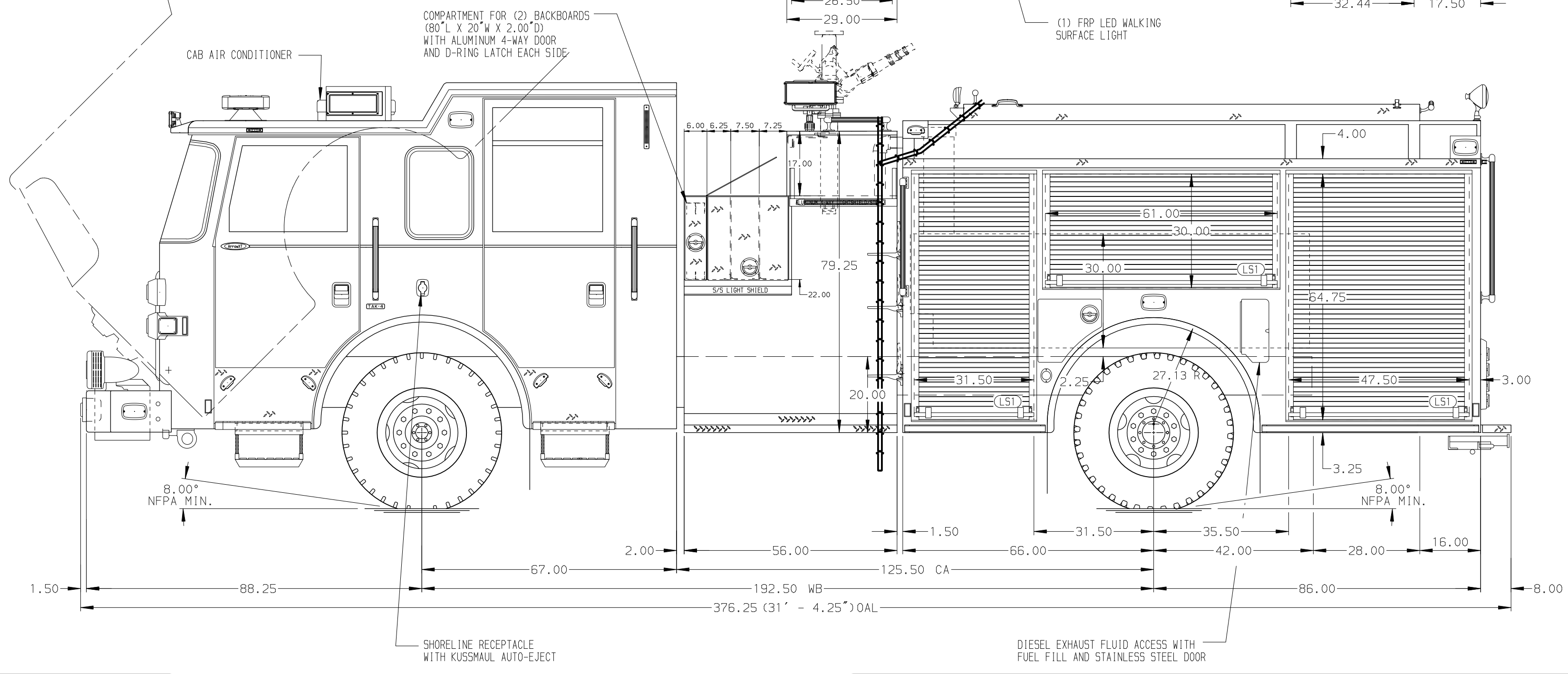


- HOSEBED CAPACITIES**
- ① - 200' OF 2.50" D.J. HOSE
 - ② - 200' OF 2.50" D.J. HOSE
 - ③ - 1000' OF 4.00" LARGE DIAMETER HOSE
 - ④ - 400' OF 2.50" D.J. HOSE
 - ⑤ - 300' OF 1.75" D.J. HOSE



STAINLESS STEEL BODY

SIDE ROLL AND FRONTAL IMPACT PROTECTION

NOTE
DIMENSIONS SHOWN ARE APPROXIMATE AND ARE SUBJECT TO MINOR DEVIATIONS AS MAY OCCUR OR BE NECESSARY IN CONSTRUCTION. MINOR DETAILS NOT SHOWN.

1. MOUNTING BRACKETS AND WHEEL CHOCKS SHIPPED LOOSE
2. AIR INLET/OUTLET WITH DISCONNECT FITTING LOCATED ON DS PUMP PANEL
3. BATTERY CHARGER LOCATED IN GREY CAB SEAT RISER
4. BATTERY CHARGE INDICATOR LOCATED NEAR D.S. SEAT RISER WITH BRACKET
5. DRIP PAN GUARD FOR ROLL-UP DOOR LOCATED ON ALL ROLL UP DOORS
6. ONE ADJUSTABLE FULL WIDTH/DEPTH SHELF IN COMPARTMENT B1 TWO IN COMPARTMENT LS1, LS3, RS1, & RS3
7. ONE SWING-OUT TOOL BOARD WITH PEGBOARD PATTERN IN COMPARTMENT LS2
8. PAC TRAC ON THE REAR WALL OF COMPARTMENT LS1, LS2, RS1, RS2, AND UPPER TANK WALL OF LS3 & RS3
9. PARTITION BETWEEN COMPARTMENTS LS1/B1 AND RS1/B1

		JOB NO.	33485
		SCALE	DATE
Pierce MANUFACTURING INC.		DRAWN BY	MMF
TITLE 1500-D-500P 152" PUMPER BODY, 56" SIDE CONTROL PH (3) XLAYS, (2) BACKBOARDS, 4.00" REAR OUTLET		CHECKED BY	NPA
FOR NEW BEDFORD FIRE DEPARTMENT NEW BEDFORD, MASSACHUSETTS		SHEET SIZE	SHEET NO.
DWG NO.		33485AD	
REV DATE BY CH ARROW-XT		1 OF 1	

REV	DATE	BY	CH	ARROW-XT
10MAY19	MMF	CSH		MAKE
25APR19	MMF	JGO		PIERCE
14FEB19	MMF	NPA		MODEL