

# Pumper, PUC

## BODY

Pumper, PUC, Aluminum

## CHASSIS

Impel Chassis, PUC

## CHASSIS AXLE, FRONT, CUSTOM

22,800 Lb TAK-4 Axle

## AXLE, REAR

27,000 Lb Meritor Axle

## ENGINE

450 HP Cummins L9 Engine

## TRANSMISSION

Allison 5th Gen, 3000 EVS P

## BUMPER

26" Extended Painted Steel

## CAB

7010 Impel FR Cab, PUC

## BODY

### WATER TANK

750 Gallon Poly Water Tank

### COMPT, PUMPER, REAR

33.50" FF RollUp Rear Compt w/Tailboard, PUC

### COMPT, PUMPER, LEFT SIDE

189" RollUp Full Height & Depth Front & Rear, PUC

### COMPT, PUMPER, RIGHT SIDE

189" RollUp Full Height & Depth Front & Rear, PUC

## FIRE SUPPRESSION PUMPHOUSE

Control Zone, PUC

## PUMP

1500 GPM Pierce PUC

## CROSSLAYS, 1.50"

(2) 1.50", Poly Trays, 200"

## CROSSLAYS, 2.50"

(1) 2.50", Poly Tray, 200"

## GENERATOR

Harrison 6kW MCR Hydraulic Generator

## Foam System

Husky 3 Single Agent Foam System

## Foam Cell

20 Gallon Foam Cell, Not Reduced Water, PUC

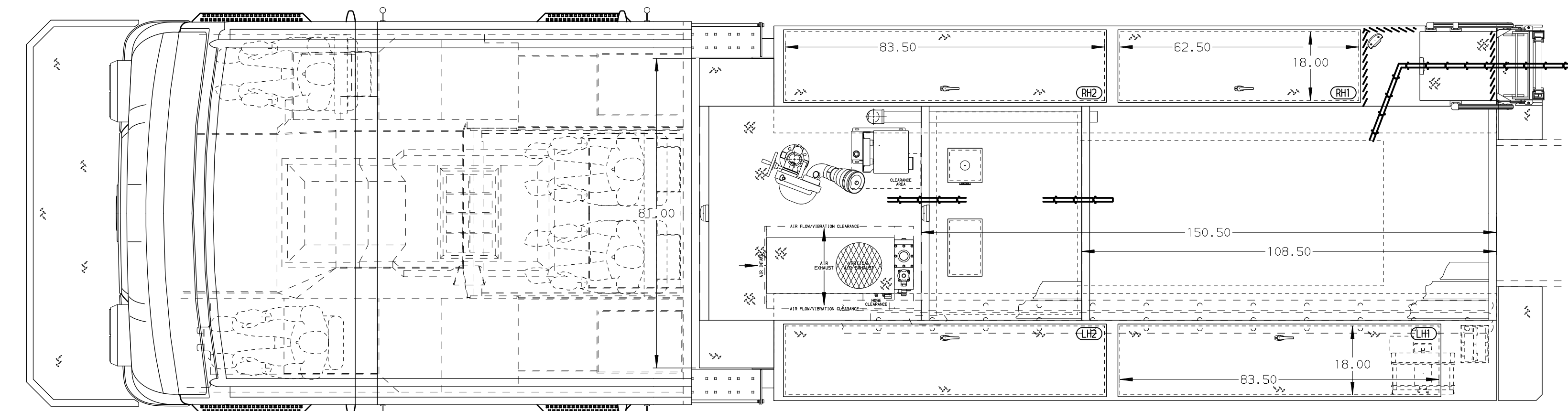
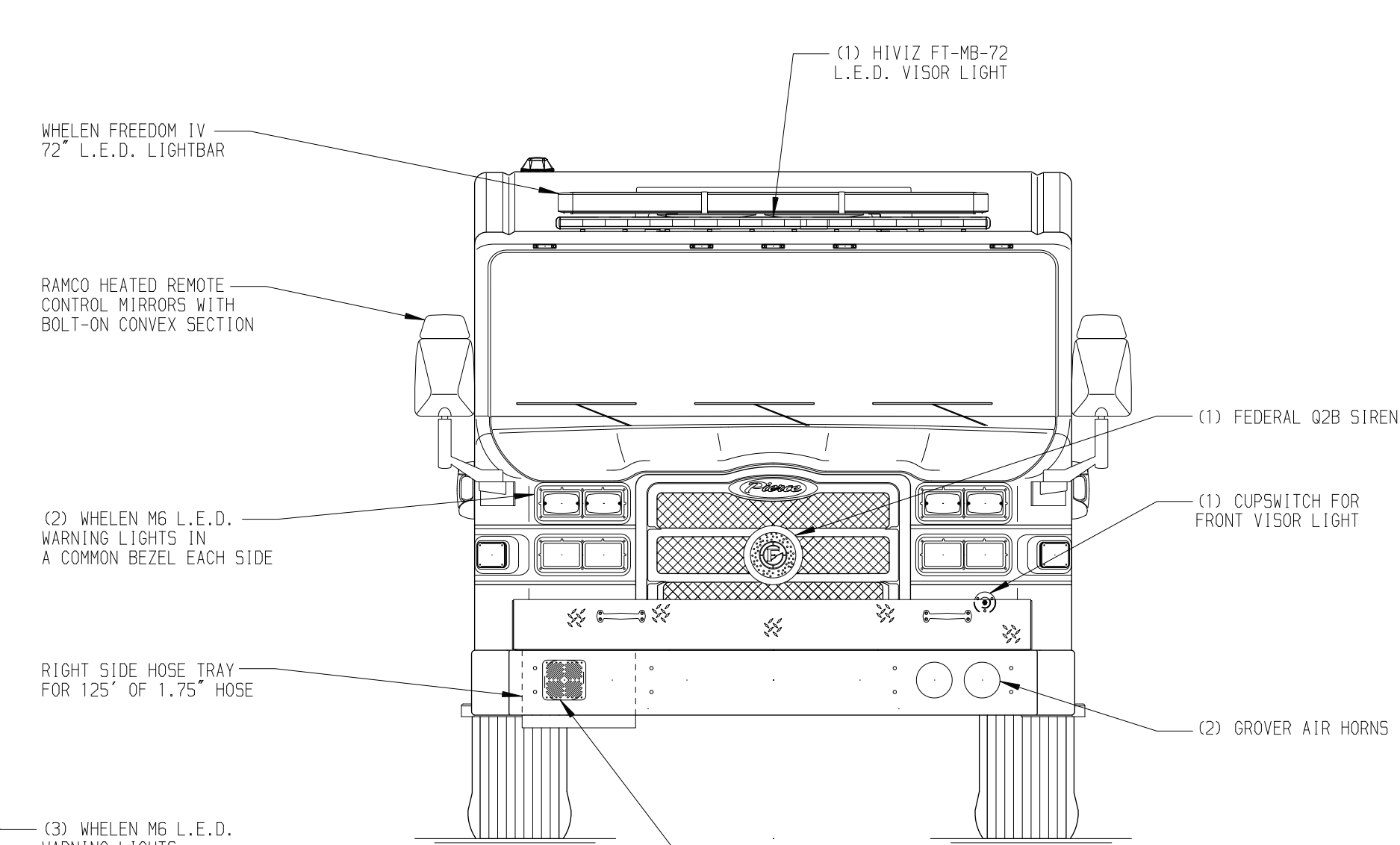
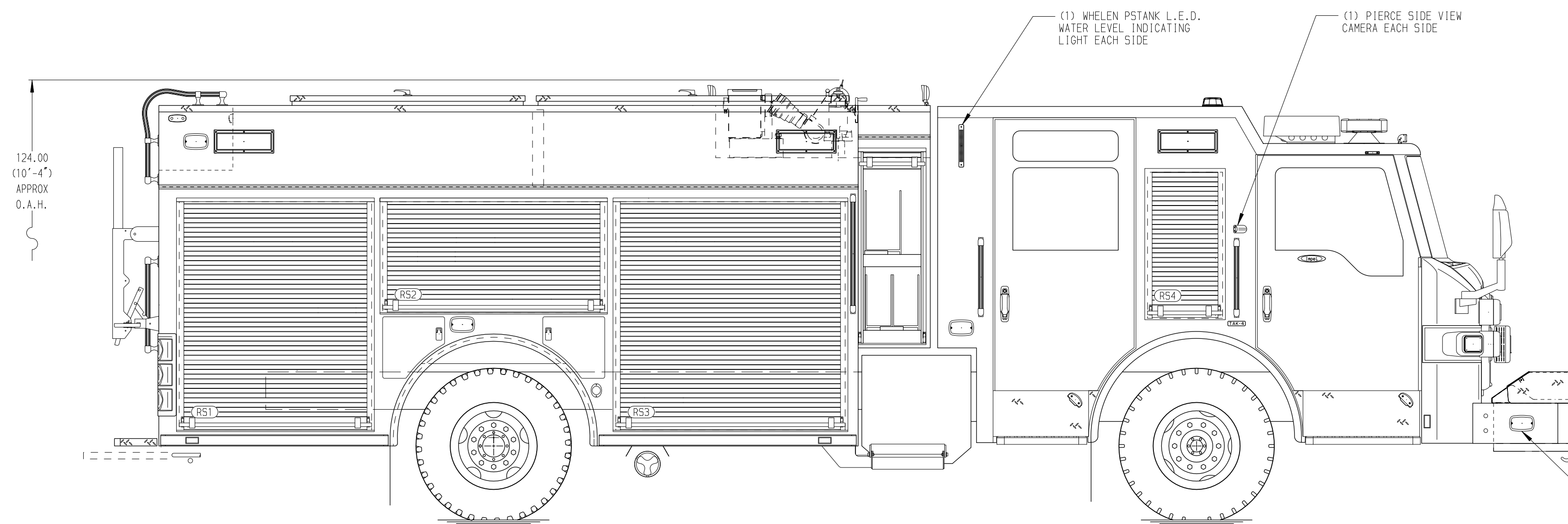
Side Roll and Frontal Impact Protection

### NOTE

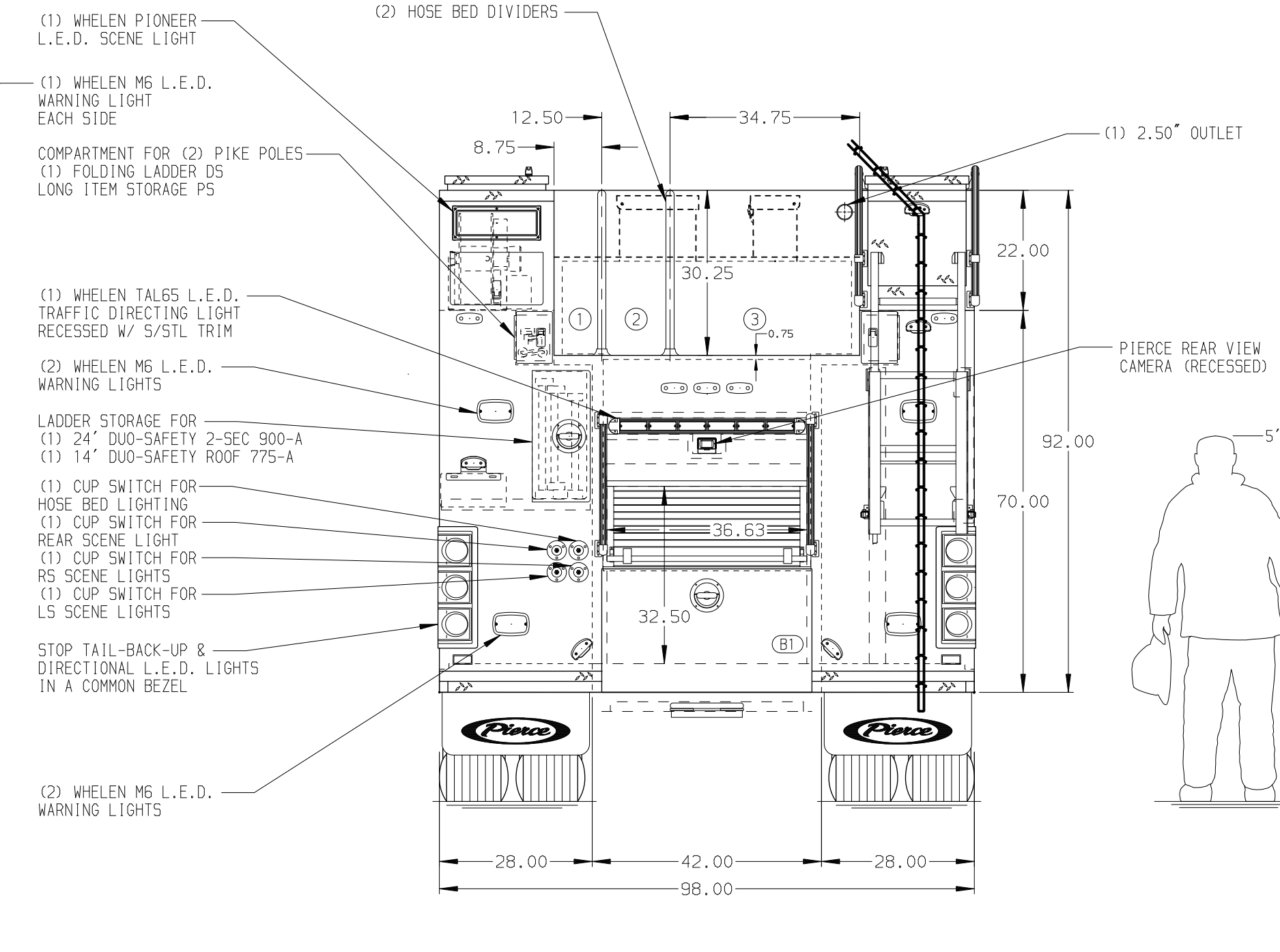
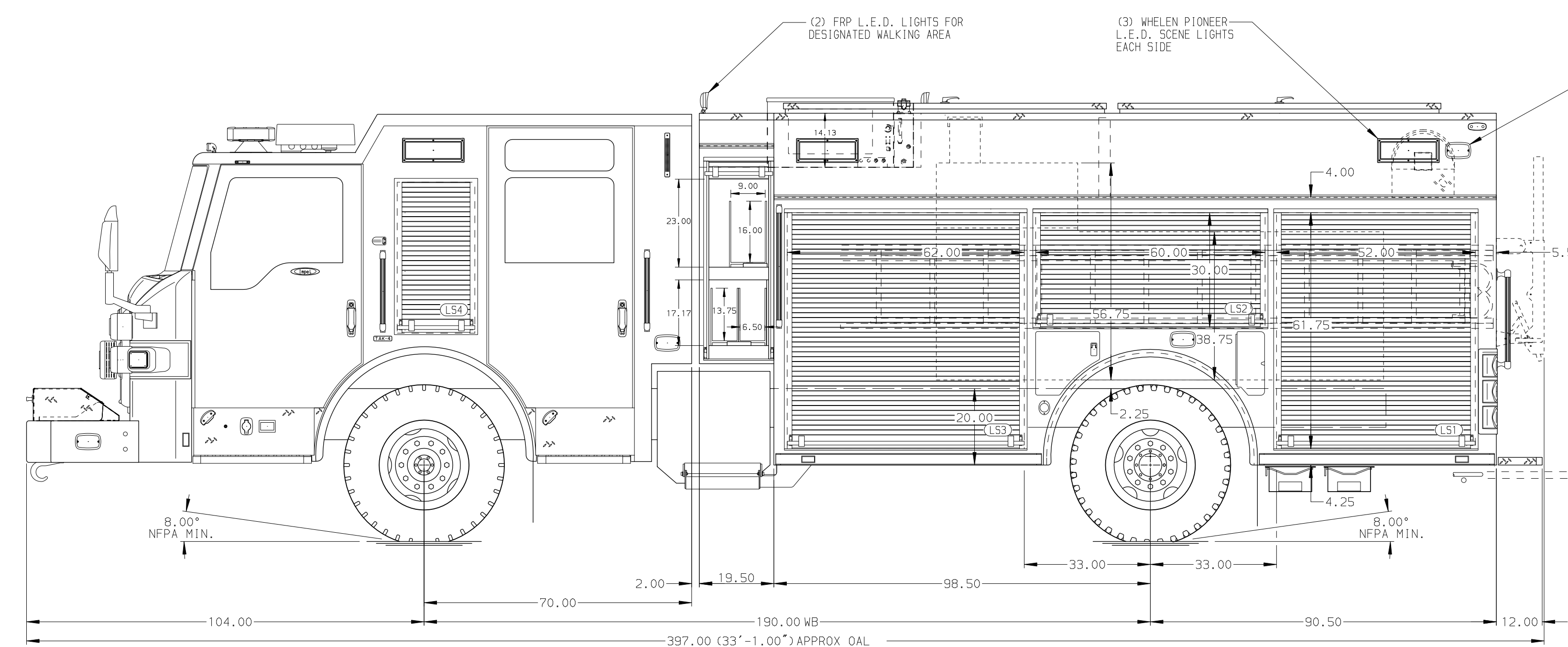
DIMENSIONS SHOWN ARE APPROXIMATE AND ARE SUBJECT TO MINOR DEVIATIONS AS MAY OCCUR OR BE NECESSARY IN CONSTRUCTION. MINOR DETAILS NOT SHOWN.

1. AUTOMATIC TIRE CHAINS
2. ONE 1.50" OUTLET WITH 2.00" PIPING AND SWIVEL LOCATED IN RIGHT SIDE BUMPER TRAY
3. SHORELINE RECEPTACLE WITH KUSSMAUL SUPER AUTO-EJECT LOCATED IN DRIVER SIDE STEPWELL
4. AIR INLET WITH DISCONNECT COUPLING IN THE DRIVER SIDE STEPWELL
5. AIR OUTLET W/ SHUT OFF VALVE LOCATED ON DRIVER SIDE PUMP PANEL
6. BATTERY CHARGER LOCATED IN COMPARTMENT PER SHOP ORDER
7. BATTERY CHARGE INDICATOR LOCATED IN DRIVER SIDE STEPWELL
8. SEVEN ADJUSTABLE SHELVES LOCATED PER SHOP ORDER
9. TWO FLOOR MOUNTED SLIDE-OUT TRAYS LOCATED PER SHOP ORDER
10. CIRCUIT BREAKER PANEL LOCATED PER SHOP ORDER

11. AKRON CABLE REEL MODEL ERWC-16-6 WITH 150' OF 10/3 CABLE LOCATED IN LS HATCH COMPARTMENT
12. TWO 120V DUPLEX RECEPTACLES LOCATED PER SHOP ORDER
13. ONE SWING-OUT TOOLBOARD LOCATED PER SHOP ORDER
14. AIR INLET WITH DISCONNECT COUPLING IN THE DRIVER SIDE STEPWELL
15. ONE SLIDE-OUT TOOLBOARD LOCATED PER SHOP ORDER
16. ONE VERTICAL PARTITION LOCATED PER SHOP ORDER
17. ONE TECH FOUR DRAWER ASSEMBLY LOCATED PER SHOP ORDER
18. ONE 120V 7-PLACE RECEPTACLE LOCATED PER SHOP ORDER



HOSEBED CAPACITY	
BED 1	200' OF 3.00" D.J. POLY HOSE
BED 2	500' OF 3.00" D.J. POLY HOSE
BED 3	1000' OF 5.00" D.J. POLY HOSE



		JOB NO.	33488
		SCALE	DATE
Pierce PUC Pumper Approval Drawing Jefferson City Fire Department		DRAWN BY	01FEB19
		CHECKED BY	04FEB19
DWG NO. 33488AD		SHEET SIZE	SHEET NO.
		D	1 OF 1

REV	DATE	BY	CH	IMPEL
08APR19	COL	PPE		PIERCE
28FEB19	COL	PPE		MODEL