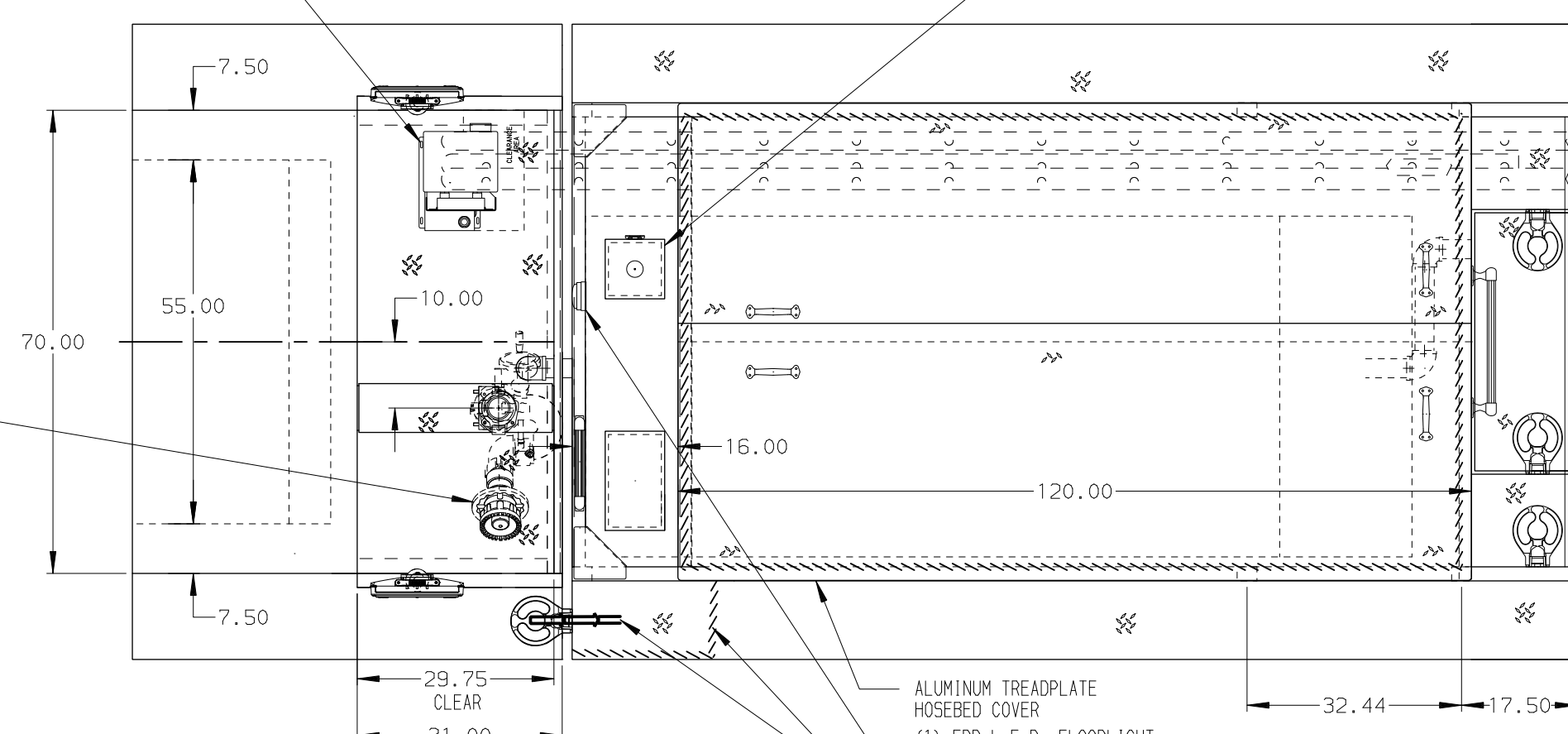
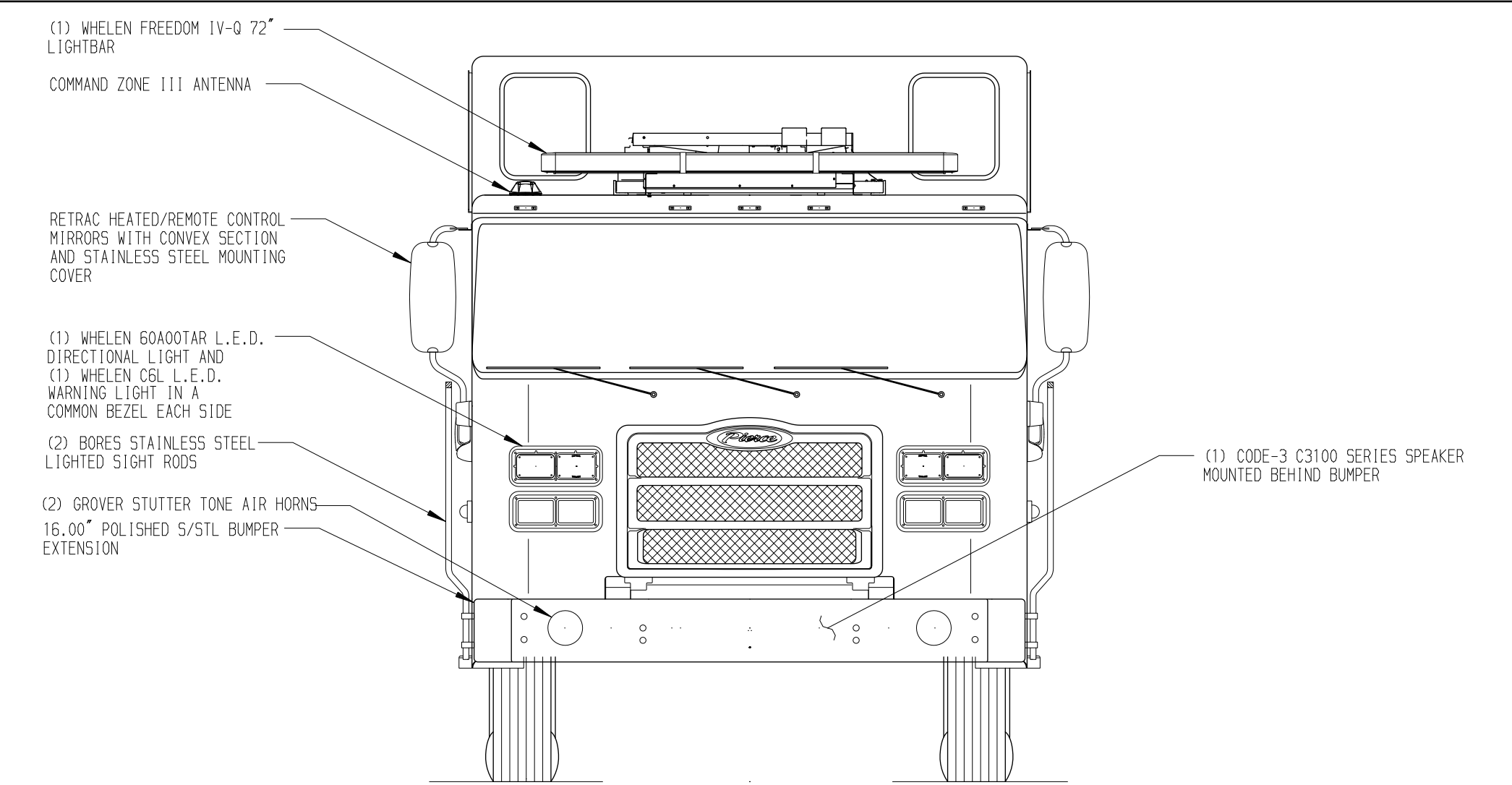
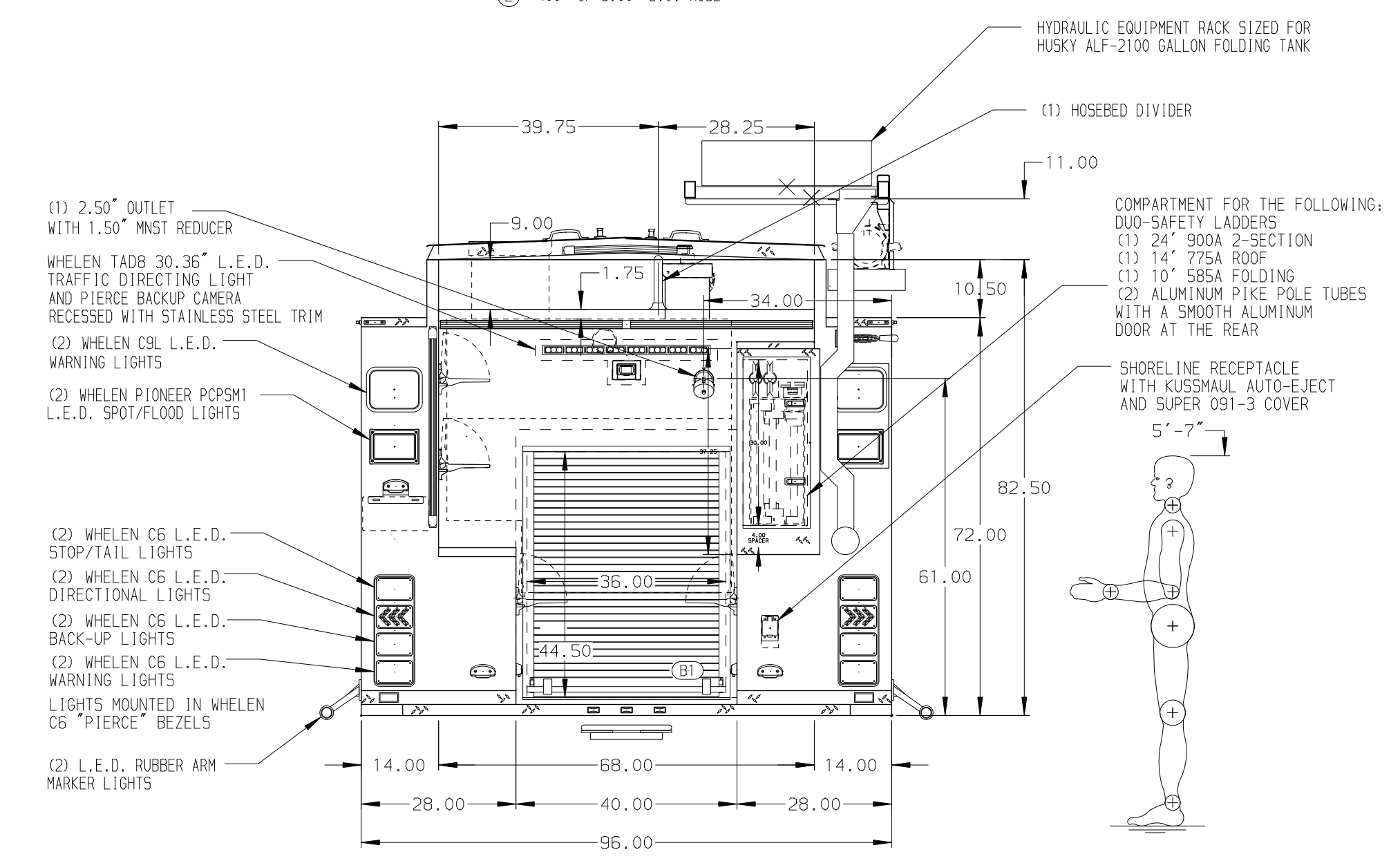
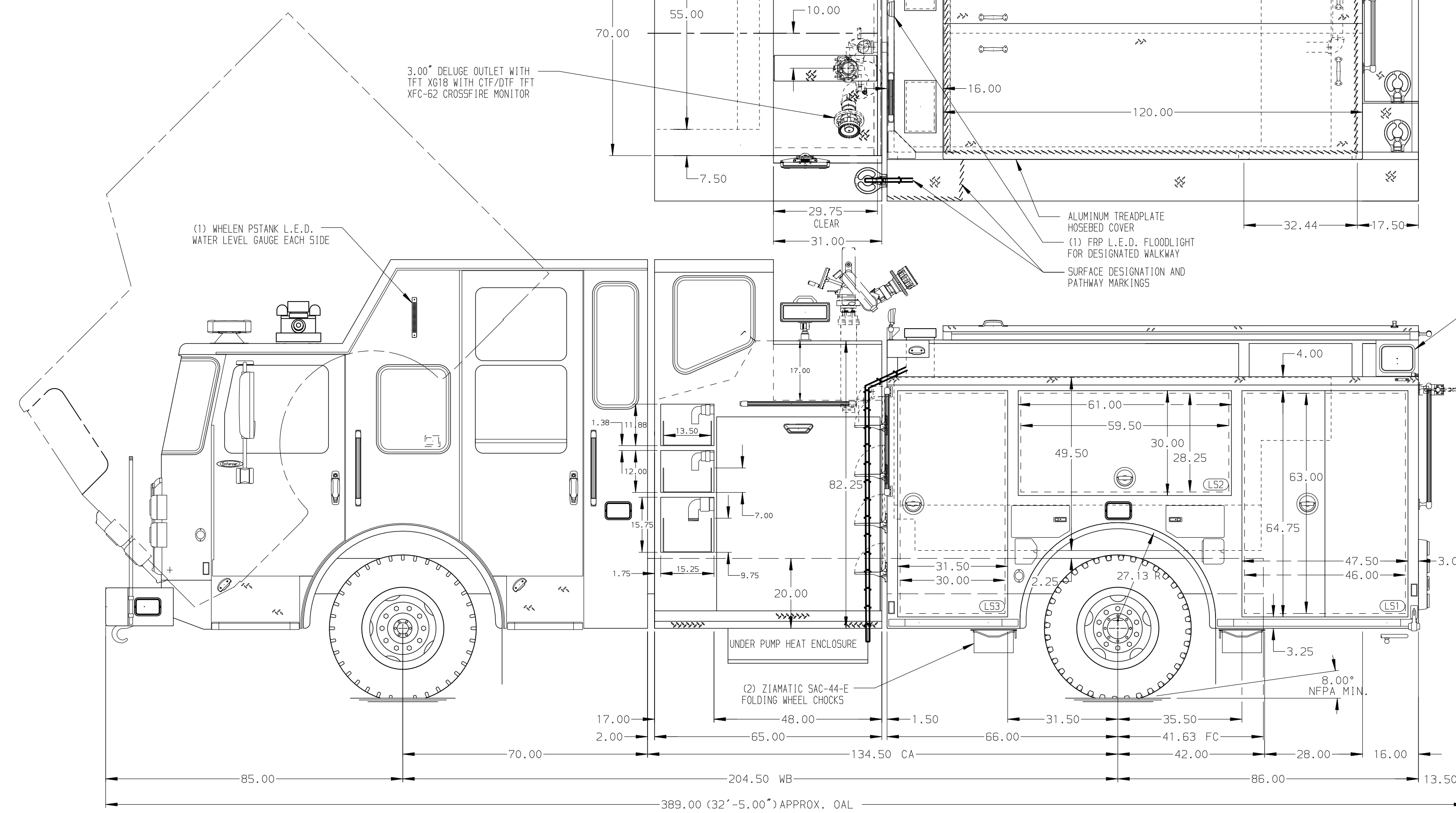


126.00 (10'-6") APPROX O.A.H.



HOSEBED CAPACITIES
 ① 600' OF 4.00" D.J. HOSE
 ② 400' OF 3.00" D.J. HOSE



ALUMINUM BODY MAXIMUM O.A.L. 408.00" MAXIMUM O.A.H. 132.00"

NOTE
 DIMENSIONS SHOWN ARE APPROXIMATE AND ARE SUBJECT TO MINOR DEVIATIONS AS MAY OCCUR OR BE NECESSARY IN CONSTRUCTION. MINOR DETAILS NOT SHOWN.

- BATTERY CHARGER/COMPRESSOR LOCATED IN COMPARTMENT LS3
- BATTERY CHARGER INDICATOR BEHIND DRIVER'S SEAT DISPLAYED THROUGH WINDOW
- ONE FULL WIDTH/DEPTH ADJUSTABLE SHELF IN COMPARTMENT LS1, LS3, RS1, RS2, RS3, B1
- ONE MOUNTING BOARD ON THE REAR WALL OF COMPARTMENT LS1, LS3, AND RS3
- PAC TRAC ON THE REAR AND SIDE WALLS OF COMPARTMENT LS2
- PARTITION BETWEEN COMPARTMENTS LS1/B1 AND RS1/B1
- FOUR AIR BOTTLE HOLDERS WITH TRACKS IN COMPARTMENT LS3
- ALUMINUM TREADPLATE SCUFF PLATE INSIDE ALL SIDE BODY COMPARTMENT DOORS
- ONE FLOOR MOUNTED SLIDE OUT TRAY WITH 2.00" SIDES IN COMPARTMENT B1
- ONE SIX PLACE RECEPTACLE STRIP IN COMPARTMENT B1, BEHIND DRIVER'S SEAT, AND BEHIND OFFICER'S SEAT

		Pierce MANUFACTURING INC.		JOB NO.	33494
				SCALE	DATE
				1:24	14FEB19
				DRAWN BY	MWA
				CHECKED BY	WKL
				SHEET SIZE	SHEET NO.
				D	1 OF 1
CHASSIS DATA	TITLE	1250-D-1020, 1000 GAL WATER W/20 FOAM, 152" FH FDLER TOP CONTROL, (3) SPDLAYS, HUSKY 3, HYD F.A.T. RACK			
FOR	MAKE	MATC-MADISON			
MODEL	PIERCE	MADISON, WISCONSIN			
ENFORCER	DWG NO.	33494AD			
REV	DATE	BY	CH		
14JUN19		KLE	KW1		
09MAY19		MWA	EFA		
04APR19		MWA	EFA		