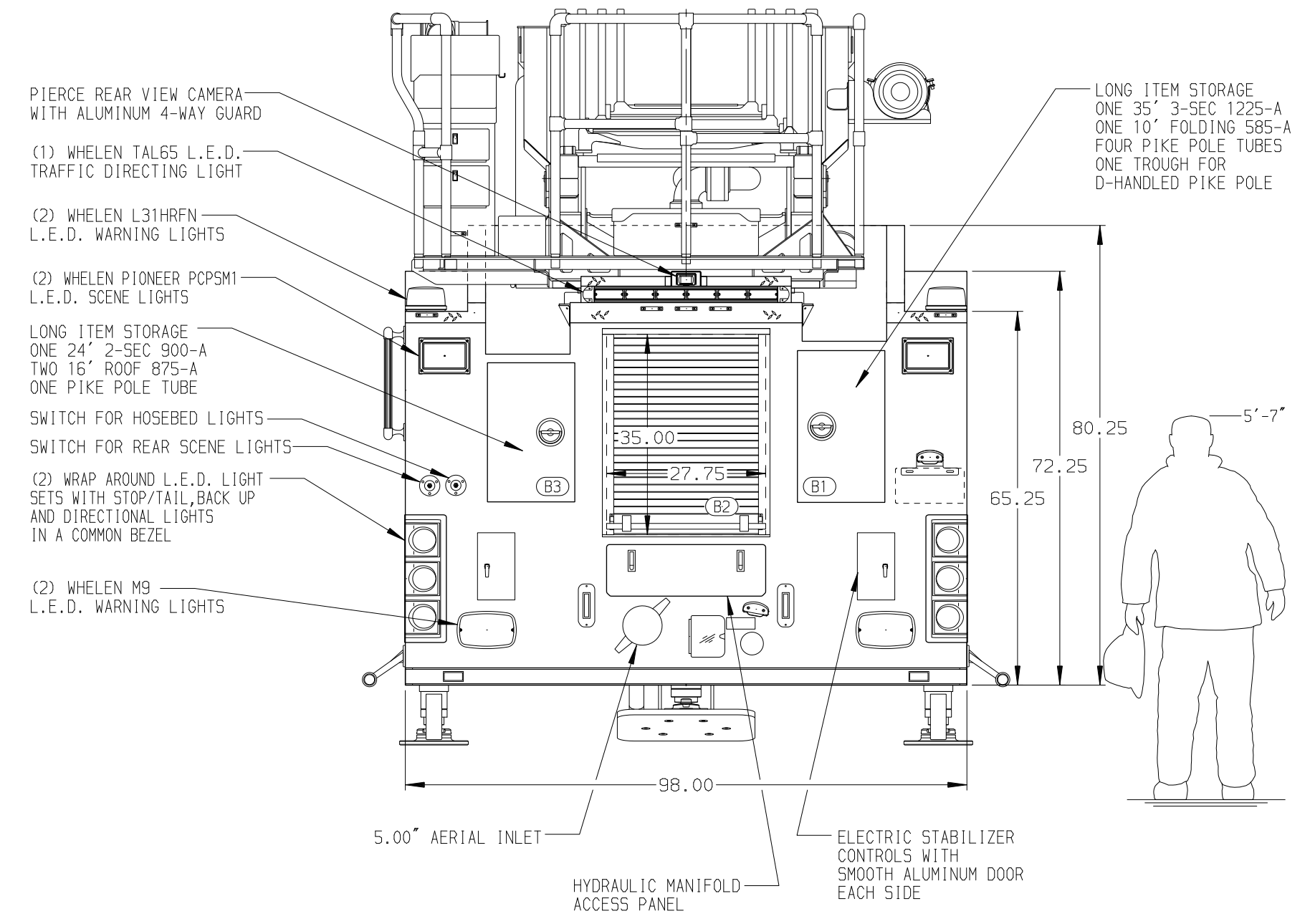
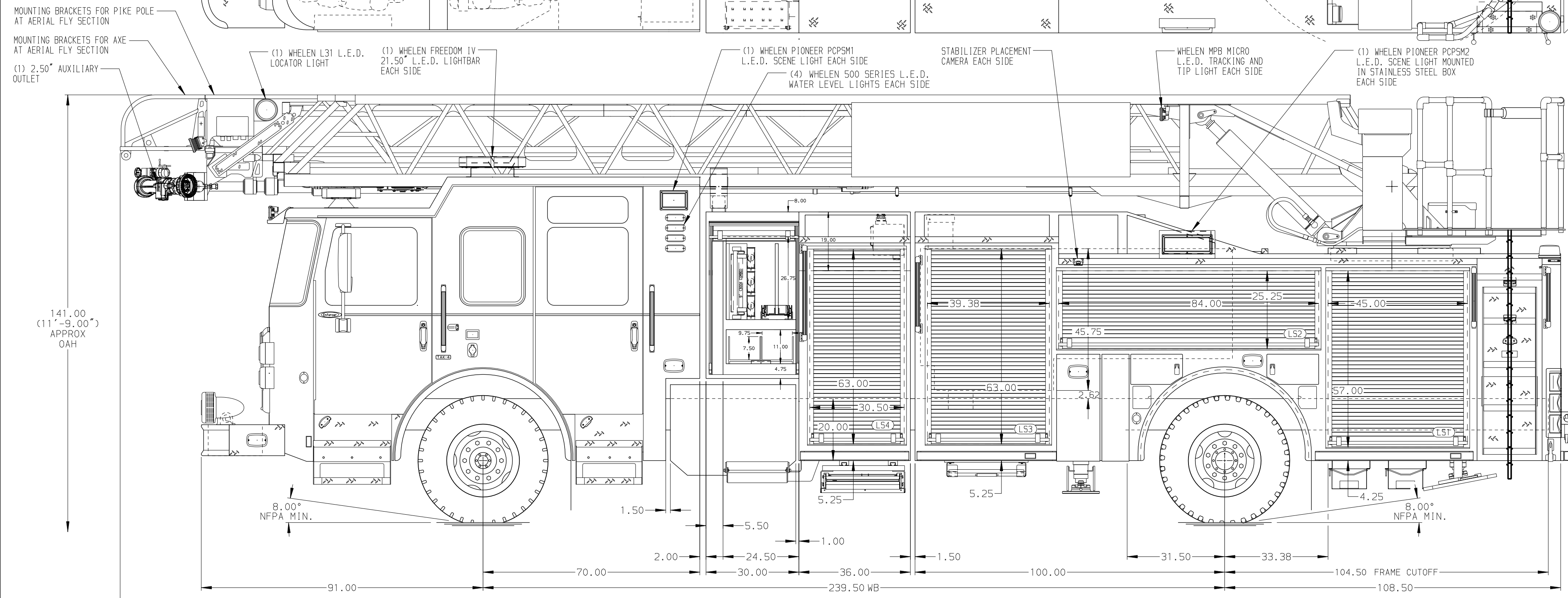
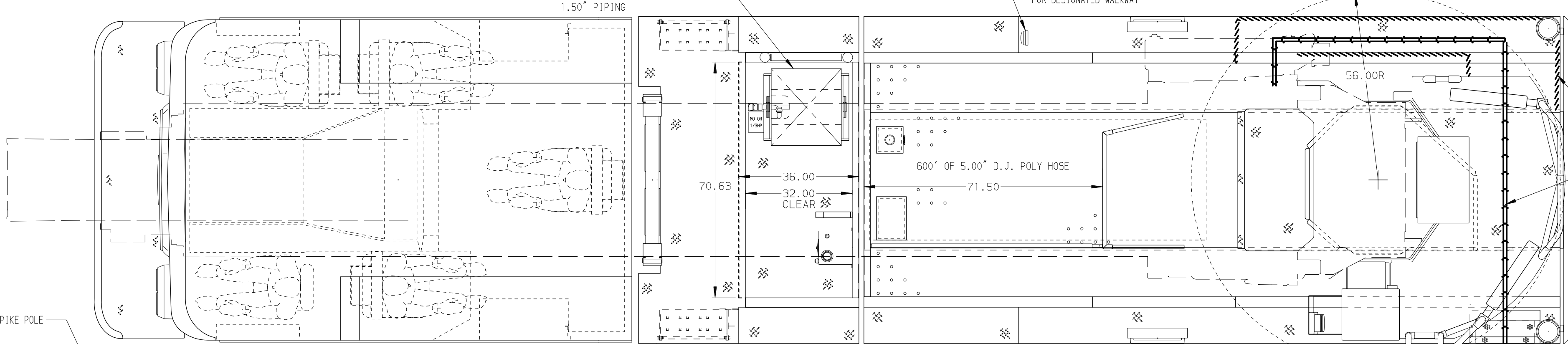


<b>BODY</b> 107' ASL Aluminum Body PUC <b>COMPT, LEFT SIDE FRONT</b> Full Height RollUp Forward <b>COMPT, LEFT SIDE REAR</b> Full Height RollUp Rearward <b>COMPT, RIGHT SIDE FRONT</b> Full Height RollUp Forward <b>COMPT, RIGHT SIDE REAR</b> Full Height RollUp Rearward	<b>WATER TANK</b> 500 Gallon Poly Water Tank <b>Foam System</b> Husky 12 Single Agent Foam System <b>Foam Cell</b> 20 Gallon Foam Cell, Not-Reduced Water, PUC
---	---



<b>CHASSIS</b> Enforcer Chassis, PUC 505 HP DD13 Engine	<b>CAB</b> 7010 Enforcer Cab, Notched, PUC 22" Extended Stainless Steel Bumper	<b>AXLE, FRONT, CUSTOM</b> 24,000 Lb TAK-4 Axle <b>AXLE, REAR</b> 33,500 Lb Meritor Axle	<b>TRANSMISSION</b> Allison 5th Gen, 4500 EV5 P	<b>PUMPHOUSE</b> Control Zone, PAL/PAP PUC PUMP 1500 GPM Pierce PUC	<b>CROSSLAYS, 1.50"</b> (2) 1.50" Full Width Trays, 200' <b>CROSSLAYS, 2.50"</b> 2.50" Crosslay Not Required	<b>SPEEDLAYS</b> Speedlays Not Required <b>GENERATOR</b> Generator Not Required	<b>SAFETY</b> Side Roll and Frontal Impact Protection
---	--	---	--	--	---	--	--

<b>NOTE</b> DIMENSIONS SHOWN ARE APPROXIMATE AND ARE SUBJECT TO MINOR DEVIATIONS AS MAY OCCUR OR BE NECESSARY IN CONSTRUCTION. MINOR DETAILS NOT SHOWN.	1. ONE 1.50" OUTLET WITH 2.00" PIPING AND SWIVEL LOCATED IN CENTER BUMPER TRAY 2. SHORELINE RECEPTACLE WITH KUSSMAUL SUPER AUTO-EJECT LOCATED ON DRIVER SIDE OF THE CAB 3. AIR INLET WITH DISCONNECT COUPLING LOCATED ON THE DRIVER SIDE PUMP PANEL 4. AIR OUTLET WITH SHUT-OFF VALVE LOCATED ON THE DRIVER SIDE PUMP PANEL 5. AIR COMPRESSOR LOCATED IN EMS COMPARTMENT PER SHOP ORDER 6. BATTERY CHARGER LOCATED IN EMS COMPARTMENT PER SHOP ORDER 7. BATTERY CHARGE INDICATOR LOCATED ON DRIVER SIDE OF THE CAB 8. TWELVE PULL STRAPS ON DOORS IN COMPARTMENTS PER SHOP ORDER 9. TWELVE ADJUSTABLE SHELVES IN COMPARTMENTS PER SHOP ORDER	10. FOUR FLOOR MOUNTED SLIDE-OUT TRAYS IN COMPARTMENTS PER SHOP ORDER 11. ONE SWING-OUT ALUMINUM TOOL BOARD IN COMPARTMENT PER SHOP ORDER 12. ONE ADJUSTABLE TOOL BOARD MOUNTED TO SLIDE-OUT TRAY IN COMPARTMENT PER SHOP ORDER 13. ONE CTECH THREE DRAWER ASSEMBLY IN COMPARTMENT PER SHOP ORDER 14. ONE VERTICAL PARTITION IN COMPARTMENT PER SHOP ORDER 15. EIGHT ALUMINUM PEGBOARD WITH TRACKS ON THE SIDE WALLS OF COMPARTMENTS PER SHOP ORDER 16. ONE FLOOR MOUNTED 2-WAY SLIDE-OUT UTILITY TRAY IN UPPER CROSSLAY AREA 17. ONE RECEPTACLE STRIP IN COMPARTMENT PER SHOP ORDER 18. NON-RAISED AERIAL PEDESTAL	19. 1500 GPM HIGH FLOW WATERWAY 20. REMOTE MONITOR CONTROLS AT PUMP PANEL 21. NO LIMITED RETRACTION REQUIRED
--	--	---	--

		JOB NO.	33509
<b>MANUFACTURING INC.</b>		SCALE	1:24
<b>107' ASCENDANT AERIAL LADDER AND BODY ASSEMBLY</b>		TITLE	DATE
<b>ARLINGTON FIRE DEPARTMENT</b>		FOR	23JAN19
DWG NO.		CHECKED BY	28JAN19
33509AD		SHEET SIZE	SHEET NO.
REV DATE BY CH ENFORCER		D	1 OF 1