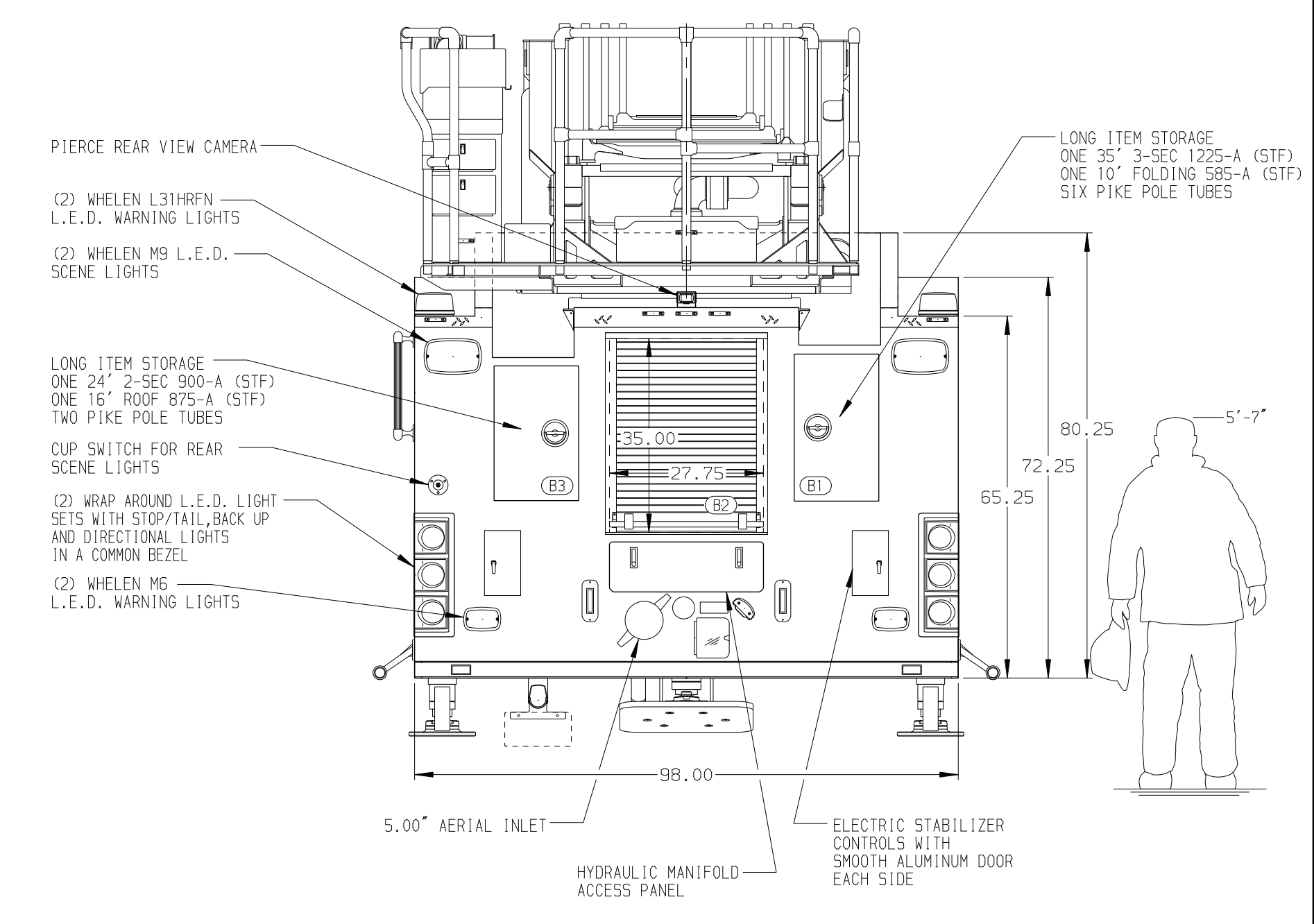
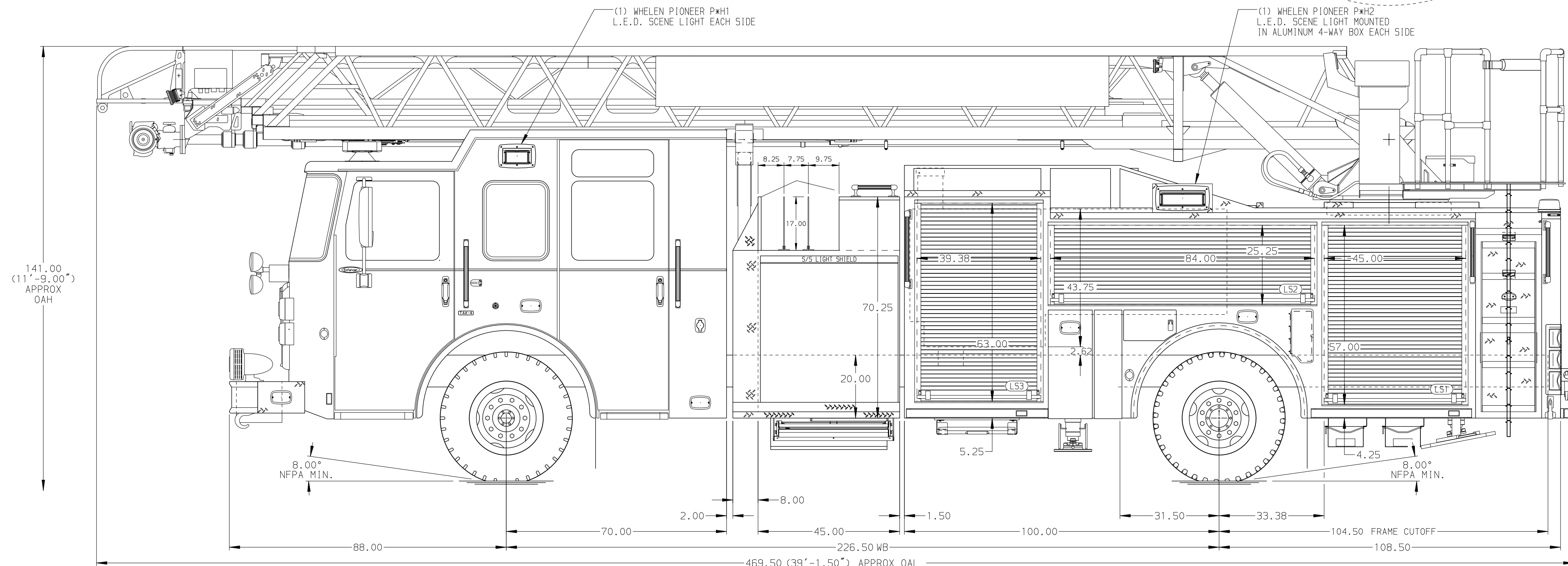


BODY	WATER TANK
107' ASL Aluminum Body	500 Gallon Poly Water Tank
COMPT, LEFT SIDE FRONT	Foam System
Full Height RollUp Forward	Foam System Not Required
COMPT, LEFT SIDE REAR	Foam Cell
Full Height RollUp Rearward	Foam Cell Not Required
COMPT, RIGHT SIDE FRONT	
Full Height RollUp Forward	
COMPT, RIGHT SIDE REAR	
Full Height RollUp Rearward	



CHASSIS	CAB	AXLE, FRONT, CUSTOM	TRANSMISSION	PUMPHOUSE	CROSSLAYS, 1.50"	SPEEDLAYS	SAFETY
Enforcer Chassis	7010 Enforcer Cab, Notched	22,800 Lb TAK-4 Axle	Allison 5th Gen, 3000 EV5 P	45" Control Zone Side Mount	(2) 1.50" Standard Capacity	Speedlays Not Required	Side Roll and
ENGINE	BUMPER	AXLE, REAR		PUMP	CROSSLAYS, 2.50"	GENERATOR	Frontal Impact Protection
450 HP Cummins L9 Engine	19" Extended Stainless Steel	33,500 Lb Meritor Axle		2000 GPM Waterous CSU	(1) 2.50" Standard Capacity	Generator Not Required	

NOTE

DIMENSIONS SHOWN ARE APPROXIMATE AND ARE SUBJECT TO MINOR DEVIATIONS AS MAY OCCUR OR BE NECESSARY IN CONSTRUCTION. MINOR DETAILS NOT SHOWN.

- ONE 1.50 OUTLET WITH 2.00 PIPING AND SWIVEL LOCATED IN CENTER BUMPER TRAY
- SHOULDER RECEPTACLE WITH KUSSMAUL SUPER AUTO-EJECT LOCATED REAR OF THE LEFT SIDE CREW CAB DOOR
- RECESSED AIR INLET WITH KUSSMAUL AIR-EJECT LOCATED ON DRIVER SIDE OF THE CAB
- BATTERY CHARGER LOCATED IN COMPARTMENT PER SHOP ORDER
- BATTERY CHARGE INDICATOR LOCATED ON THE DRIVER SIDE SEAT RISER
- SEVEN ADJUSTABLE SHELVES IN COMPARTMENTS PER SHOP ORDER
- THREE FLOOR MOUNTED SLIDE-OUT TRAYS IN COMPARTMENTS PER SHOP ORDER
- ONE ALUMINUM SWING-OUT TOOLBOARD WITH PAC TRAC IN COMPARTMENT PER SHOP ORDER
- THREE 120V RECEPTACLES LOCATED IN THE CAB PER SHOP ORDER
- NON-RAISED AERIAL PEDESTAL
- 1500 GPM HIGH FLOW WATERWAY
- LIMITED RETRACTION NOT REQUIRED

CHASSIS DATA	TITLE	JOB NO.
05JUN19 TKA KBO	107' ASCENDANT AERIAL LADDER AND BODY ASSEMBLY	33568
22MAY19 TKA KBO	LAKE CITY FIRE DEPARTMENT	SCALE 1:24 DATE
14MAR19 TKA KBO		DRAWN BY TKA 08FEB19
REV DATE BY CH ENFORCER		CHECKED BY KBO 04MAR19
	DWG NO. 33568AD	SHEET SIZE SHEET NO. D 1 OF 1