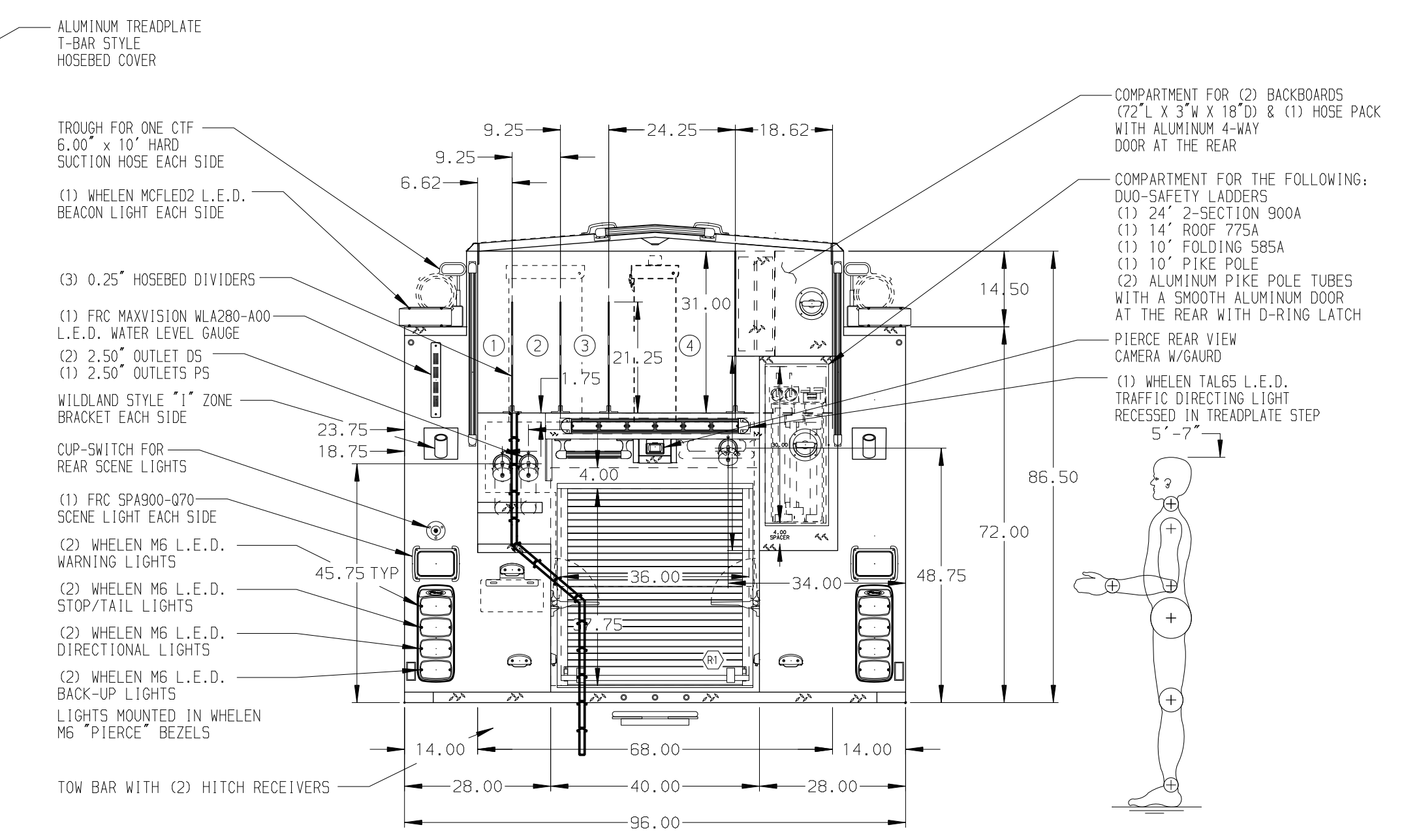
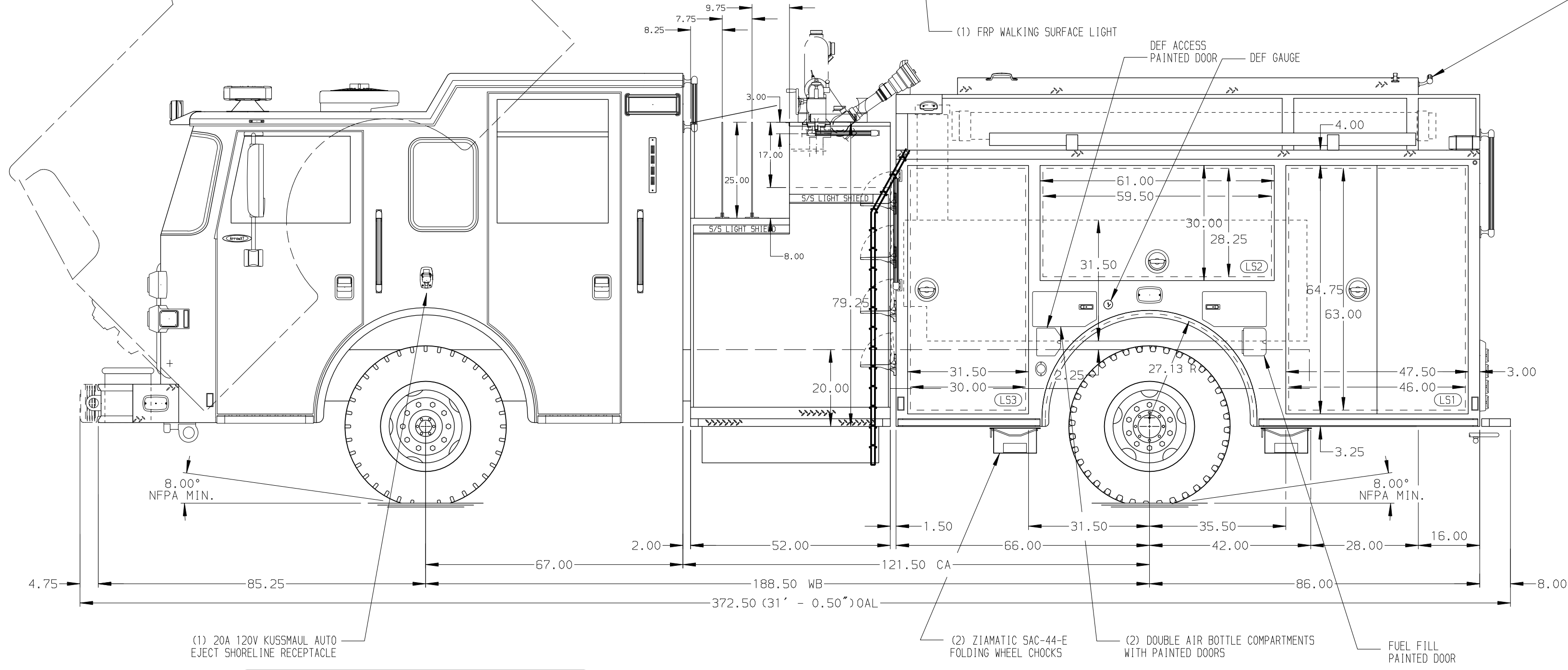


- HOSEBED CAPACITIES
- ① - 300' OF 1.75" HOSE
  - ② - 400' OF 2.50" HOSE
  - ③ - 400' OF 2.50" HOSE
  - ④ - 1000' OF 5.00" HOSE



GALVANNEAL

MAXIMUM O.A.H. 119.50"

**NOTE**  
DIMENSIONS SHOWN ARE APPROXIMATE AND ARE SUBJECT TO MINOR DEVIATIONS AS MAY OCCUR OR BE NECESSARY IN CONSTRUCTION. MINOR DETAILS NOT SHOWN.

1. AIR INLET WITH DISCONNECT COUPLING LOCATED IN DRIVER'S SIDE STEP WELL
2. AIR OUTLET WITH SHUT-OFF VALVE LOCATED ON DRIVER'S SIDE PUMP PANEL
3. BATTERY CHARGER LOCATED IN CREW CAB SEAT RISER
4. BATTERY CHARGE INDICATOR SHIPPED LOOSE
5. DRIP PAN GUARD FOR ROLL-UP DOOR LOCATED B1
6. KEYPAD LOCK FOR LATCH FOR COMPARTMENT R51
7. REVERSED HINGED DOOR ON COMPARTMENT L53
8. ONE FULL WIDTH/DEPTH ADJUSTABLE SHELF IN COMPARTMENT R53 & B1, TWO IN L51 & R51
9. ONE FLOOR MOUNTED SLIDE-OUT TRAY IN COMPARTMENT L51, R51, R53 & B1
10. CTECH (3) DRAWER ASSEMBLY IN COMPARTMENT L53

11. PARTITION BETWEEN COMPARTMENTS L51/B1 AND R51/B1
12. ALUMINUM PEGBOARD WITH TRACKS ON THE BACK WALL OF COMPARTMENT L52, L53, R52 & R53
13. WATEROUS ADU15 3 FOAM SYSTEM

18JUN19	KLE	KW1	CHASSIS DATA
20MAY19	AMI	PJP	MAKE
06MAY19	AMI	PJP	PIERCE
11APR19	AMI	PJP	MODEL
26FEB19	AMI	KOU	REV
REV	DATE	BY	CH

		JOB NO.	33579
		SCALE	DATE
TITLE	1750-D-500P W/25G FOAM CELL, 152" PUMPER, (2) XLAYS	DRAWN BY	AMI
FOR	(1) DEADLAY, DELUGE, BOOSTER REEL, LDRS BTWN TNK & SS	CHECKED BY	NPE
	CENTRAL COUNTY FIRE DEPARTMENT	SHEET SIZE	SHEET NO.
	BURLINGAME, CALIFORNIA	D	1 OF 1
DWG NO.	33579AD		