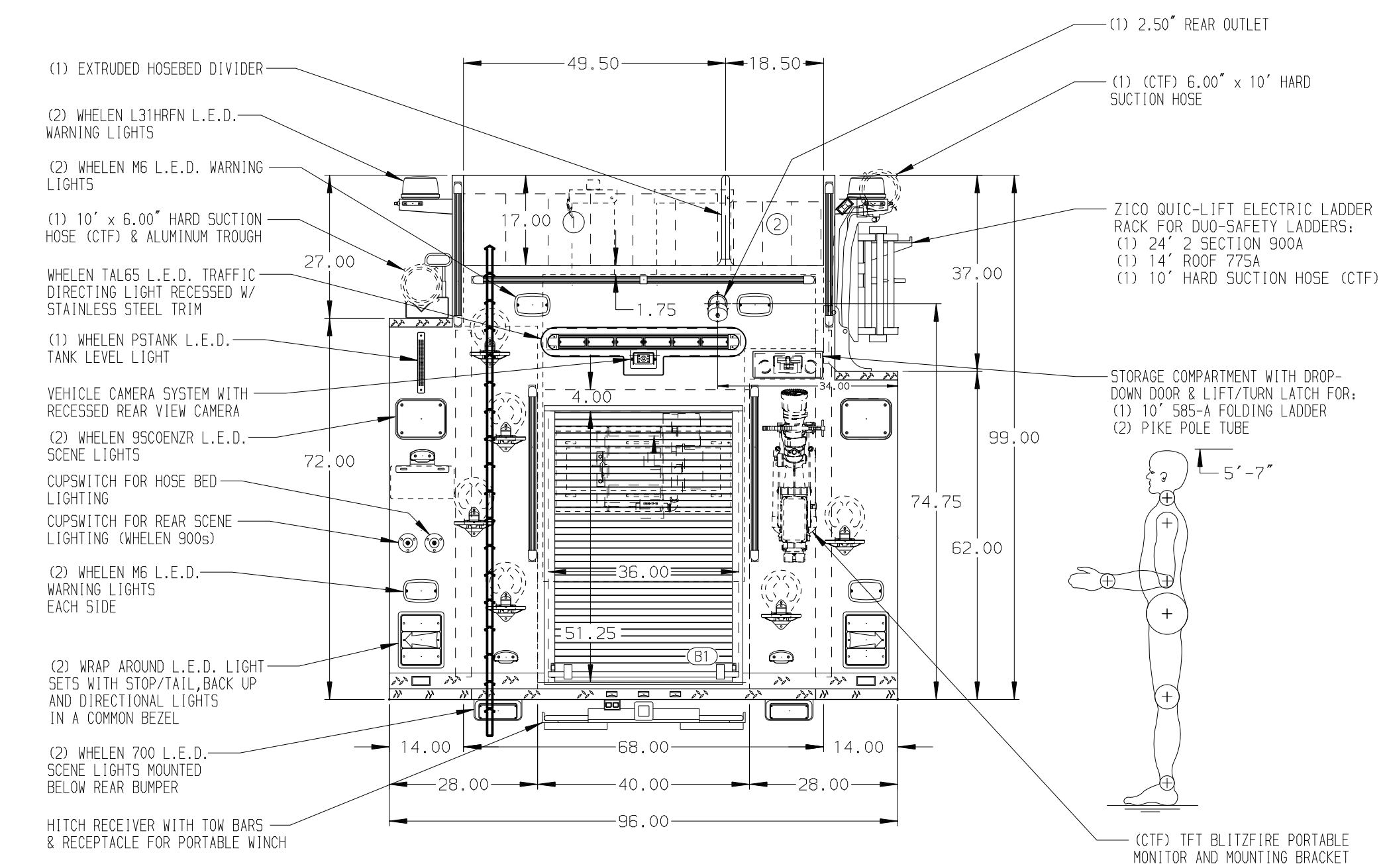
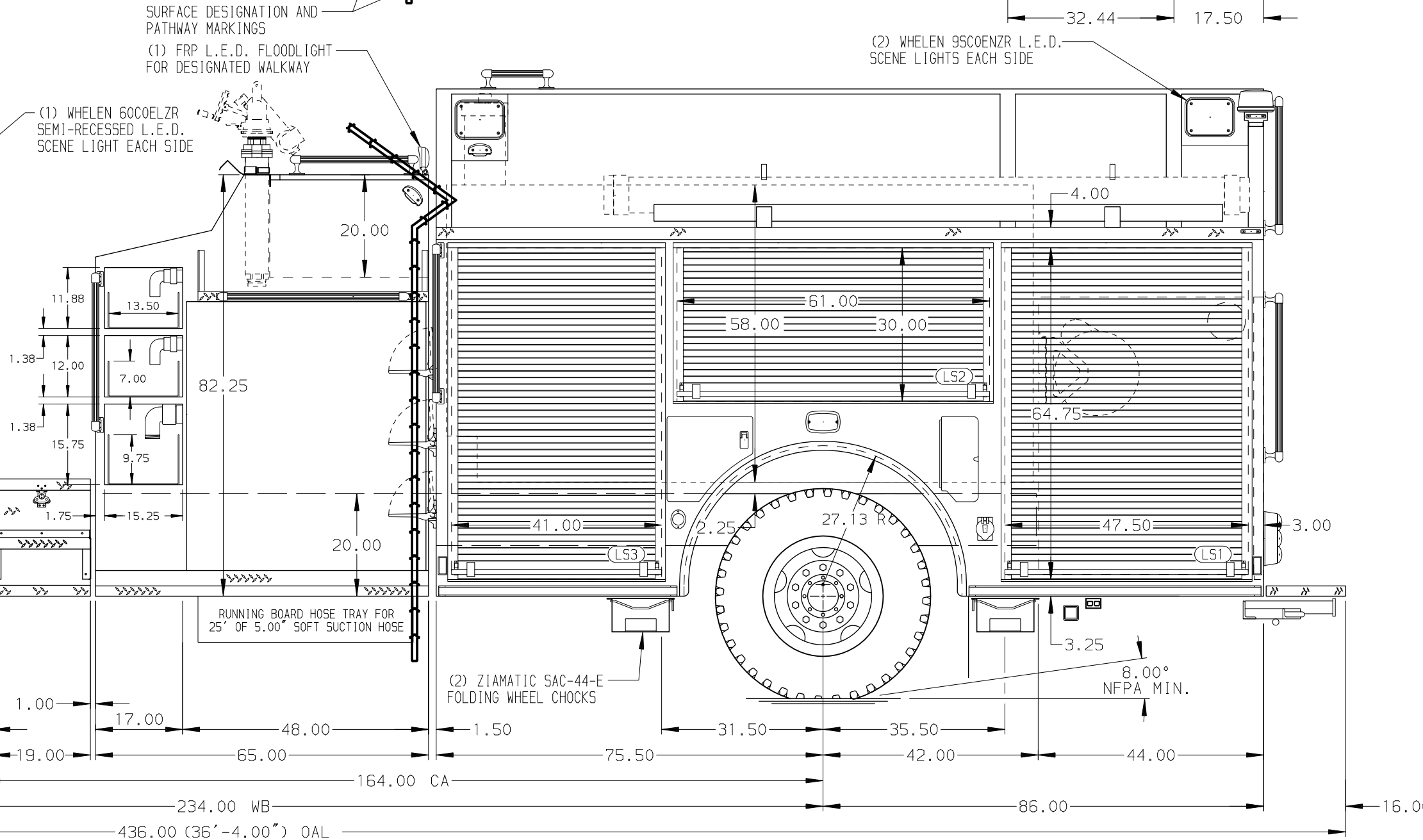
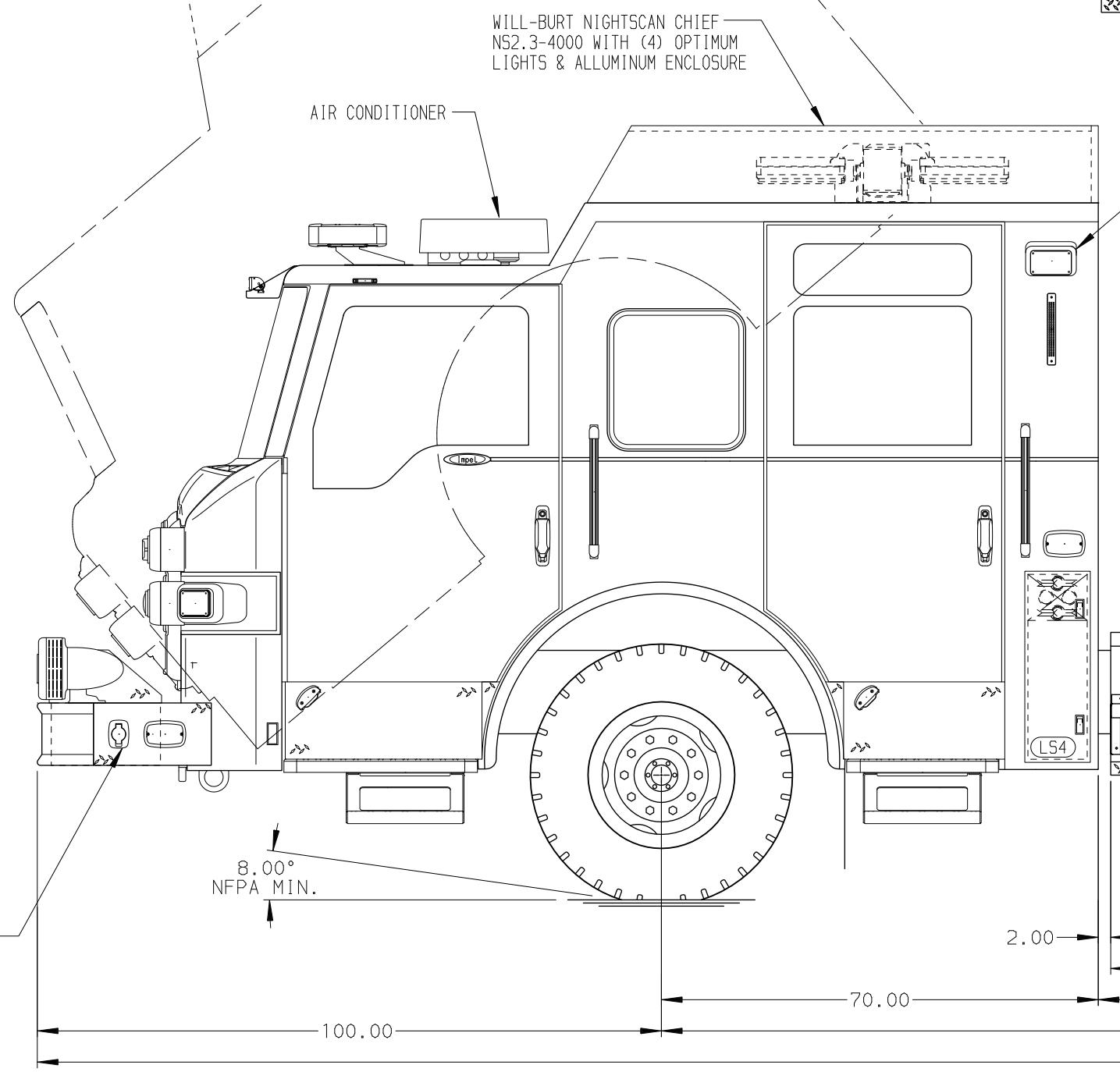


HOSEBED CAPACITIES

①	-1200' OF 5.00\"/>
②	- 500' OF 2.50\"/>



ALUMINUM BODY

NOTE
DIMENSIONS SHOWN ARE APPROXIMATE AND ARE SUBJECT TO MINOR DEVIATIONS AS MAY OCCUR OR BE NECESSARY IN CONSTRUCTION. MINOR DETAILS NOT SHOWN.

1. INSTA-CHAINS AUTOMATIC TIRE CHAINS TO BE PROVIDED AT REAR
 2. BATTERY CHARGER LOCATED BEHIND DRIVER'S SEAT
 3. BATTERY CHARGE INDICATOR LOCATED LEFT SIDE PUMP PANEL
 4. DUAL L.E.D. LIGHT STRIPS LOCATED IN HOSE BED
 5. TWO ADDITIONAL CROSSLAY TRAYS SHIPPED LOOSE
 6. ONE FULL WIDTH/DEPTH ADJUSTABLE TRAYS LOCATED IN LS1, RS1, RS3, & B1
 7. TWO ADJUSTABLE SLIDE-OUT TRAYS IN COMPARTMENT RS1, ONE IN LS3 & LS1
 8. ONE TILT/SLIDE-OUT ADJUSTABLE TRAY IN COMPARTMENT RS1
 9. ONE FLOOR MOUNTED SLIDE-OUT TRAY IN RS1, RS3, LS1, AND B1
 10. TWO SLIDE-OUT TOOLBOARDS IN COMPARTMENT LS3

11. ONE SWING-OUT TOOLBOARD IN COMPARTMENT LS2
 12. CTECH 3-DRAWER ASSEMBLY IN COMPARTMENT LS3
 13. ONE PARTITION IN COMPARTMENT LS3
 14. PEGBOARD WITH TRACK ON BACK WALL OF COMPARTMENT RS2
 15. AIR INLET WITH DISCONNECT COUPLING ON LS PUMP PANEL
 16. ONE HANNAY ECR1618-17-18 CABLE REEL IN COMPARTMENT B1 WITH CAPACITY FOR 200' OF 10/3 WIRE
 17. AIR OUTLET WITH SHUT-OFF VALVE LOCATED IN COMPARTMENT B1
 18. THREE 15/20A 120V DUPLEX RECEPTACLES IN CAB

14JUN19	KLE	KW1	CHASSIS DATA	TITLE 1500-D-1025P, 1000G WATER, 25G FOAM, 161\"/>
20MAY19	GVH	PJP	FOR SCIO TO TOWNSHIP VOLUNTEER FIRE DEPARTMENT OSTRANDER, OHIO	
03MAY19	GVH	PJP	MAKE PIERCE	
05APR19	GVH	PJP	MODEL PIERCE	
26FEB19	GVH	NPA	REV	DWG NO.

Pierce MANUFACTURING INC.

JOB NO. 33596
SCALE 1:24 DATE
DRAWN BY GVH 14FEB19
CHECKED BY NPA 14FEB19
SHEET SIZE D SHEET NO. 1 OF 1

33596AD