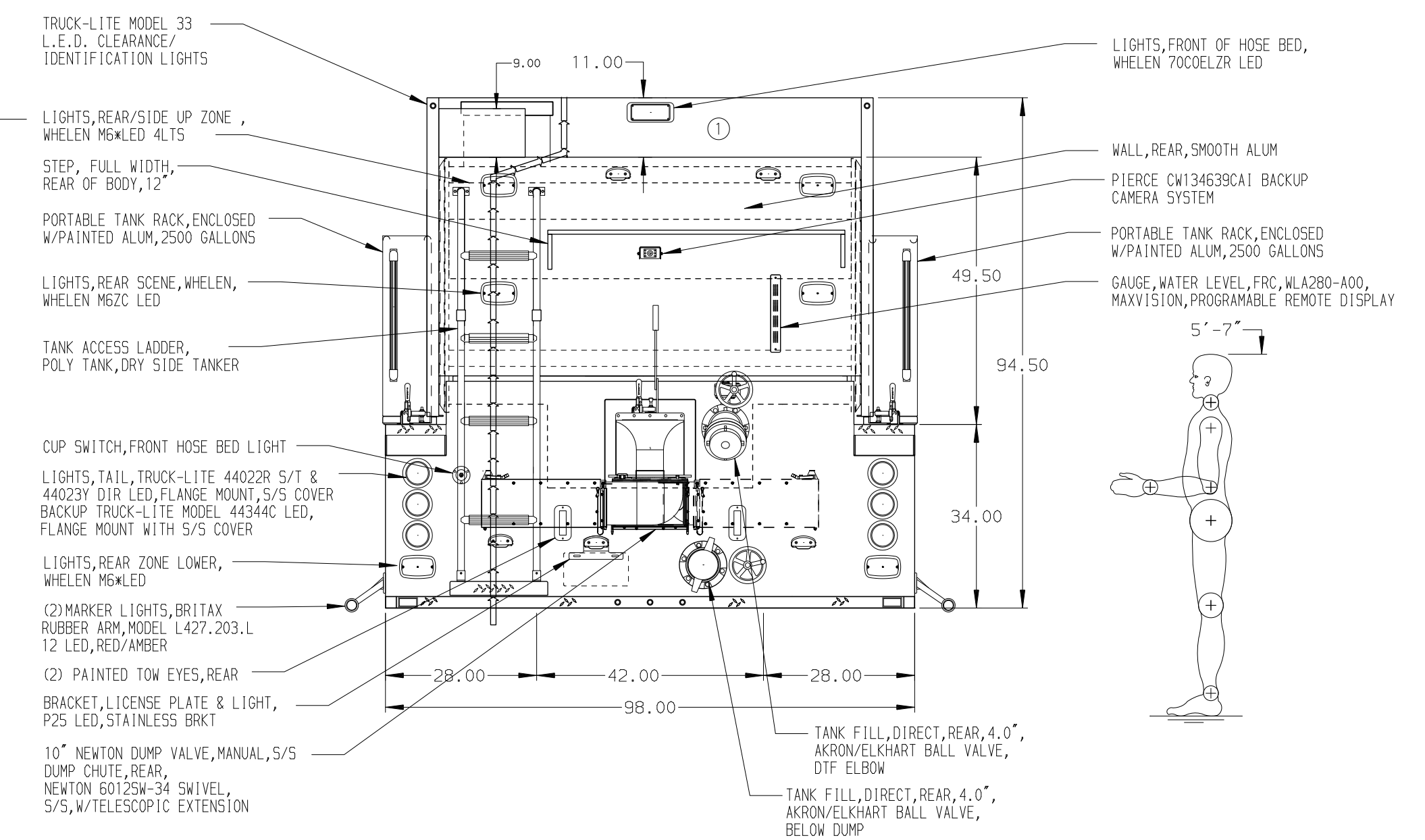
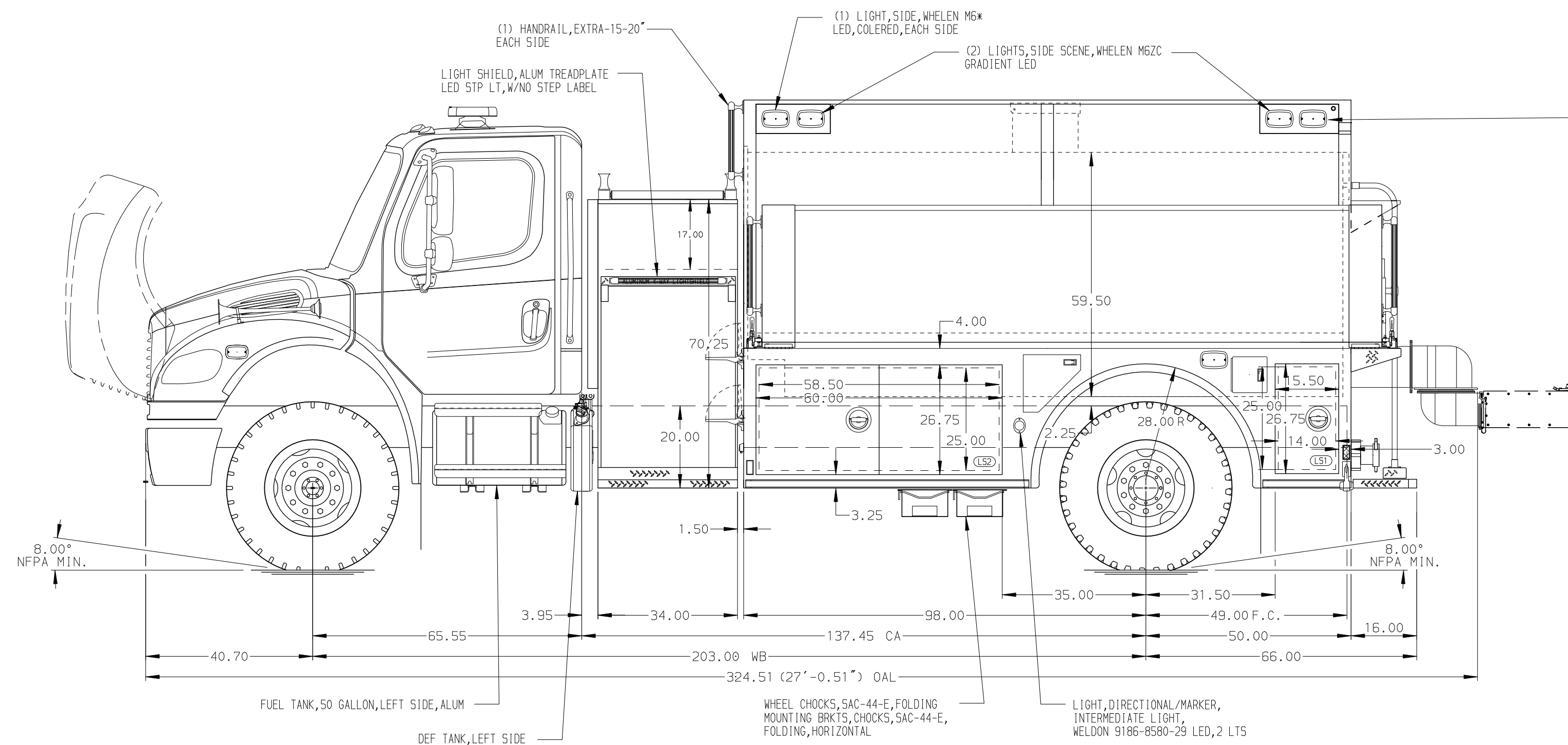


HOSEBED CAPACITIES
 ① 200' OF 2.50" D.J. POLY HOSE



ALUMINUM BODY

NOTE
 DIMENSIONS SHOWN ARE APPROXIMATE AND ARE SUBJECT TO MINOR DEVIATIONS AS MAY OCCUR OR BE NECESSARY IN CONSTRUCTION. MINOR DETAILS NOT SHOWN.

REV	DATE	BY	CH	MODEL
08AUG19	JLA	RW1		CHASSIS DATA
24JUL19	JLA	DDR		MAKE FL
30MAY19	JLA	RW1		MODEL
14MAY19	JLA	RW1		M2-106

		JOB NO.	33602
		SCALE	DATE
TITLE	500-D-2200 GAL, 148" DRY SIDE TANKER, LAP DOORS 148" BODY, 34" SIDE CONTROL	DRAWN BY	JLA
FOR	HARTFORD FIRE AND RESCUE HARTFORD, WISCONSIN	CHECKED BY	RW1
DWG NO.	33602AD	SHEET SIZE	D
		SHEET NO.	1 OF 1