

Pumper, PUC

BODY
Pumper, PUC, Aluminum
CHASSIS
Enforcer Chassis, PUC

CHASSIS
AXLE, FRONT, CUSTOM
18,000 Lb Dana Axle

AXLE, REAR
31,000 Lb Dana Axle

ENGINE
450 HP Cummins L9 Engine

TRANSMISSION
Allison 5th Gen, 3000 EVS P

BUMPER
19" Extended Painted Steel

CAB
7010 Enforcer Cab, PUC

BODY
WATER TANK

1000 Gallon Poly Water Tank

COMPT, PUMPER, REAR
40.50" FF RollUp Rear Compt w/Tailboard, PUC

COMPT, PUMPER, LEFT SIDE
189" RollUp, Standard Depth, PUC

COMPT, PUMPER, RIGHT SIDE
189" RollUp, Standard Depth, PUC

FIRE SUPPRESSION
PUMPHOUSE

Control Zone, PUC

PUMP

1500 GPM Pierce PUC

CROSSLAYS, 1.50"
(2) 1.50", Poly Trays, 200"

CROSSLAYS, 2.50"
(1) Deadlay, Poly Tray, 200"

GENERATOR

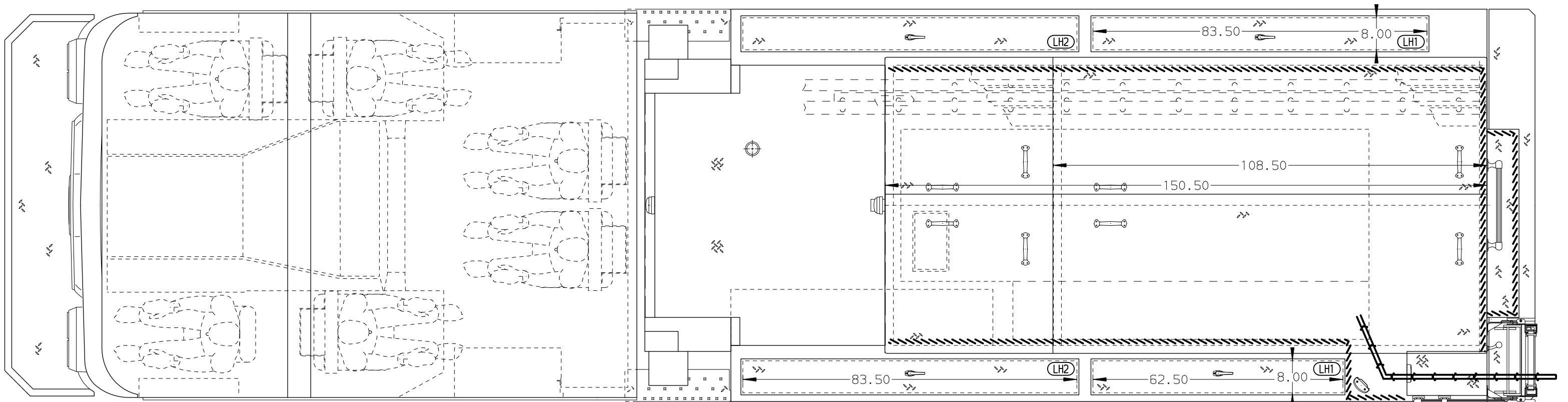
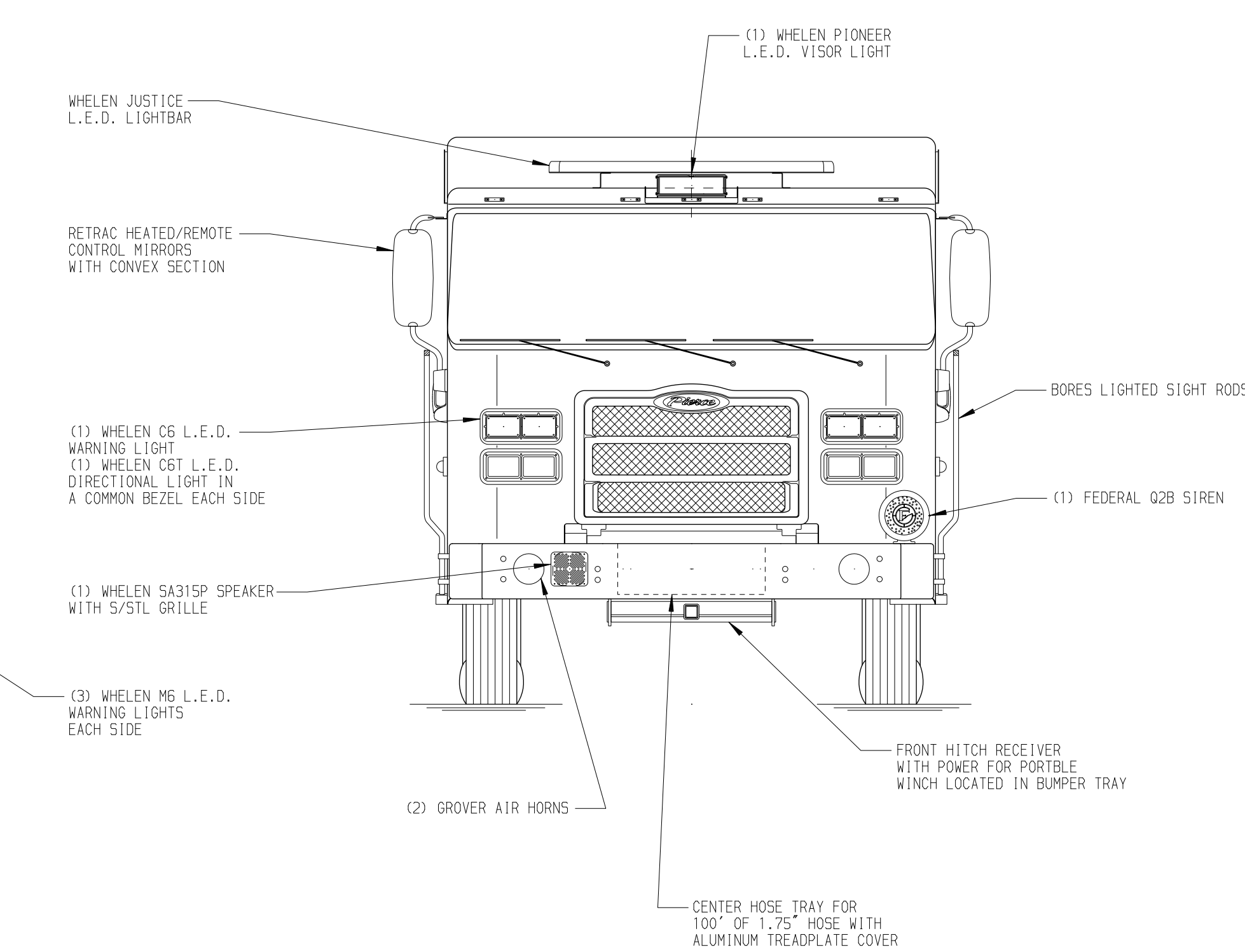
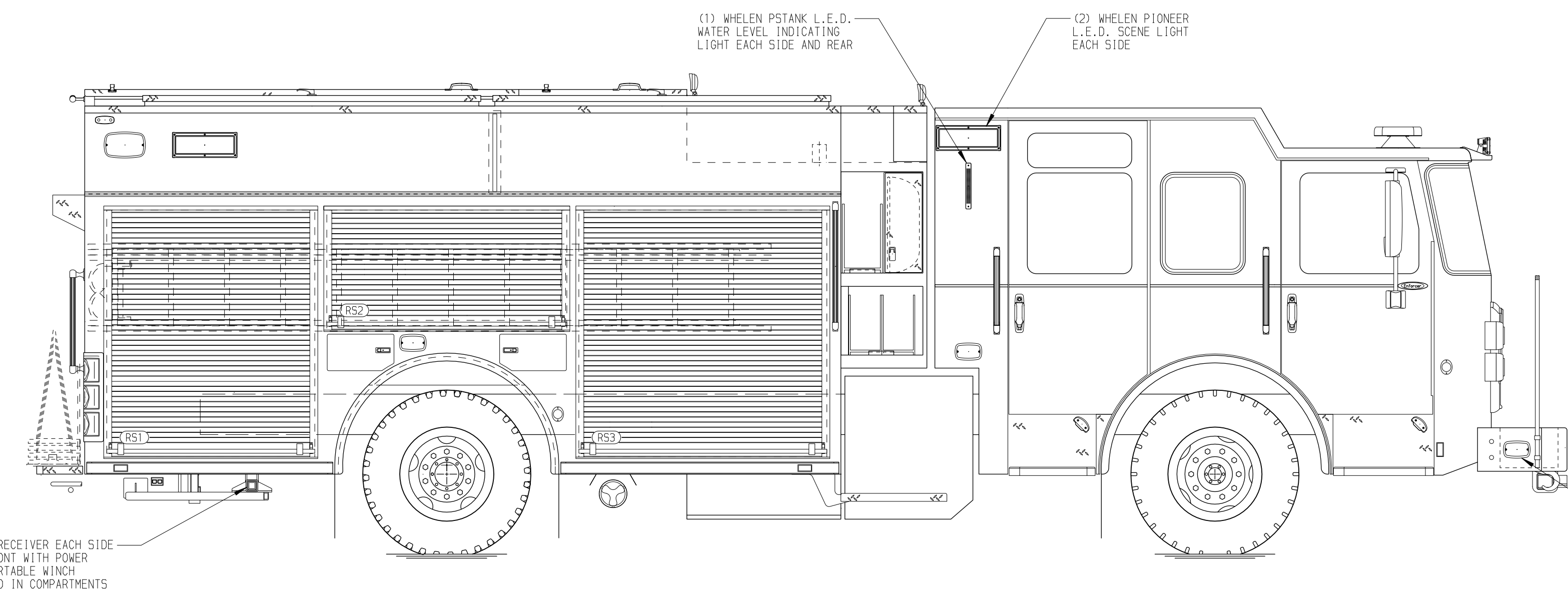
Generator Not Required

Foam System

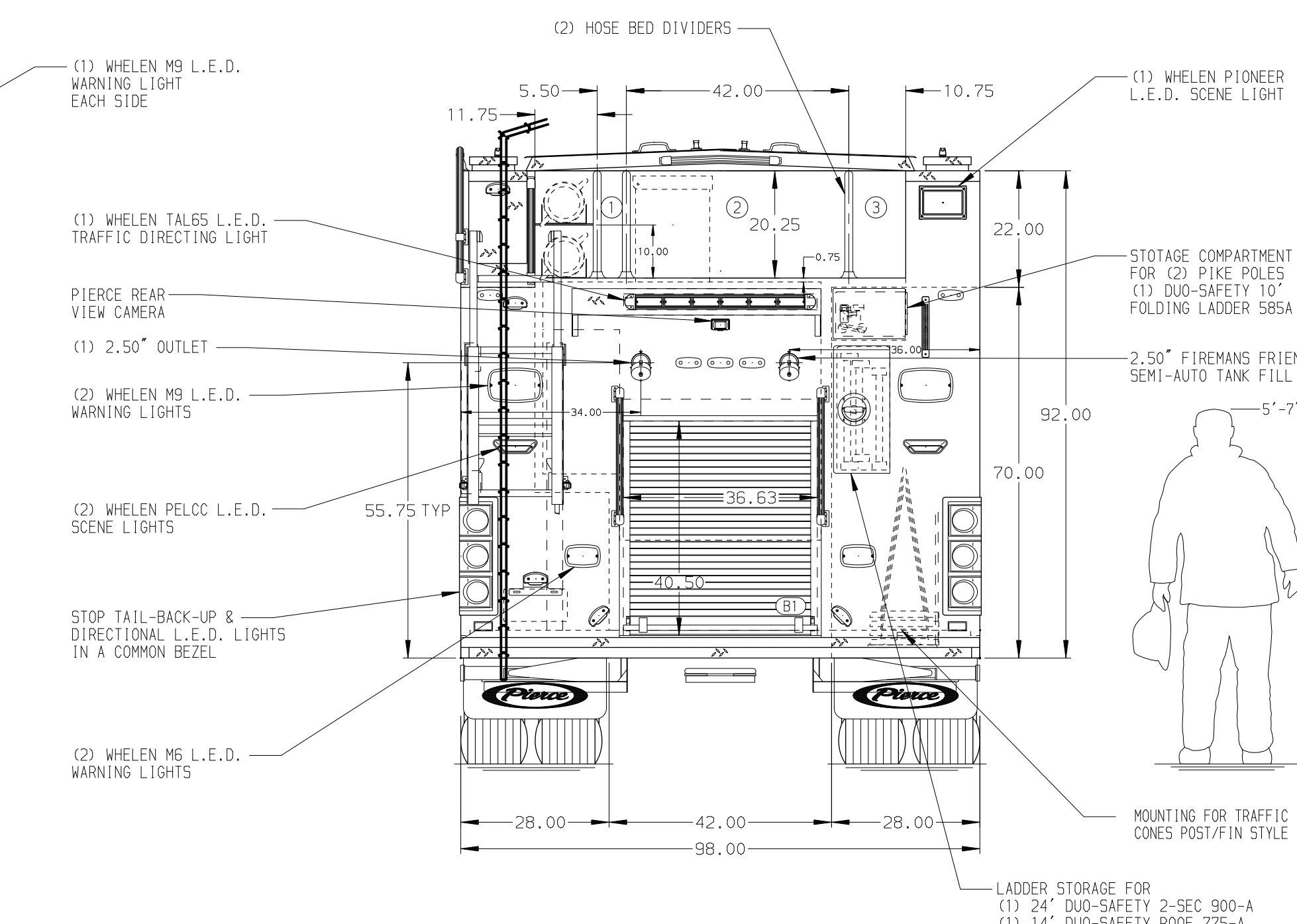
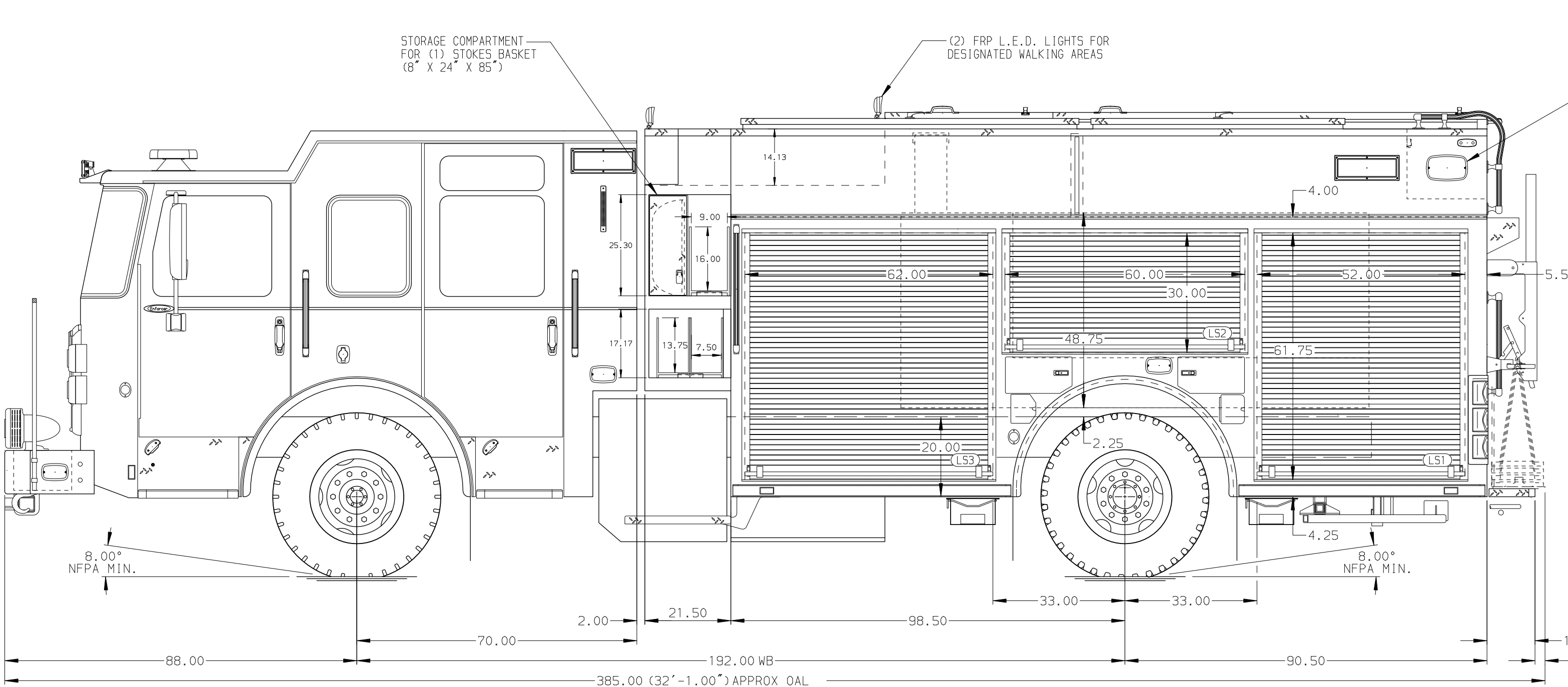
Foam System Not Required

Foam Cell

Foam Cell Not Required



HOSEBED CAPACITY	
BED 1	200' OF 1.75" D.J. POLY HOSE
BED 2	1000' OF 4.00" D.J. POLY HOSE
BED 3	400' OF 2.50" D.J. POLY HOSE



NOTE
DIMENSIONS SHOWN ARE APPROXIMATE AND ARE SUBJECT TO MINOR DEVIATIONS AS MAY OCCUR OR BE NECESSARY IN CONSTRUCTION. MINOR DETAILS NOT SHOWN.

- ONE 1.50 OUTLET WITH 2.00 PIPING AND SWIVEL LOCATED IN CENTER BUMPER TRAY
- AUTOMATIC TIRE CHAINS
- SHOULDER RECEPTACLE WITH KUSSMALL SUPER AUTO-EJECT LOCATED ON DRIVER SIDE OF THE CAB
- AIR INLET WITH DISCONNECT COUPLING IN THE DRIVER SIDE STEPPLELL
- AIR OUTLET W/ DISCONNECT FITTING LOCATED PER SHOP ORDER
- BATTERY CHARGER LOCATED IN COMPARTMENT PER SHOP ORDER
- BATTERY CHARGE INDICATOR LOCATED ON THE DRIVER SIDE SEAT RISER
- ELEVEN ADJUSTABLE SHELVES LOCATED PER SHOP ORDER
- THREE FLOOR MOUNTED SLIDE-OUT TRAYS LOCATED PER SHOP ORDER
- TWO TOOLBOARDS ADDED TO SLIDE-OUT TRAYS LOCATED PER SHOP ORDER
- ONE SWING-OUT TOOLBOARD LOCATED PER SHOP ORDER
- POLY MOUNTING BOARD LOCATED PER SHOP ORDER
- PARTITIONS BETWEEN COMPARTMENTS LS1/B1 & RS1/B1
- ONE VERTICAL PARTITION LOCATED PER SHOP ORDER
- THREE 120V DUPLEX RECEPTACLES LOCATED PER SHOP ORDER

18APR19	COL	KBO	
REV	DATE	BY	CH

		JOB NO.	33610
		SCALE	DATE
TITLE	Pierce PUC Pumper Approval Drawing	DRAWN BY	COL
MAKE	PIERCE	CHECKED BY	KBO
FOR	Guilford Fire Department	SHEET SIZE	SHEET NO.
DWG NO.	33610AD		1 OF 1