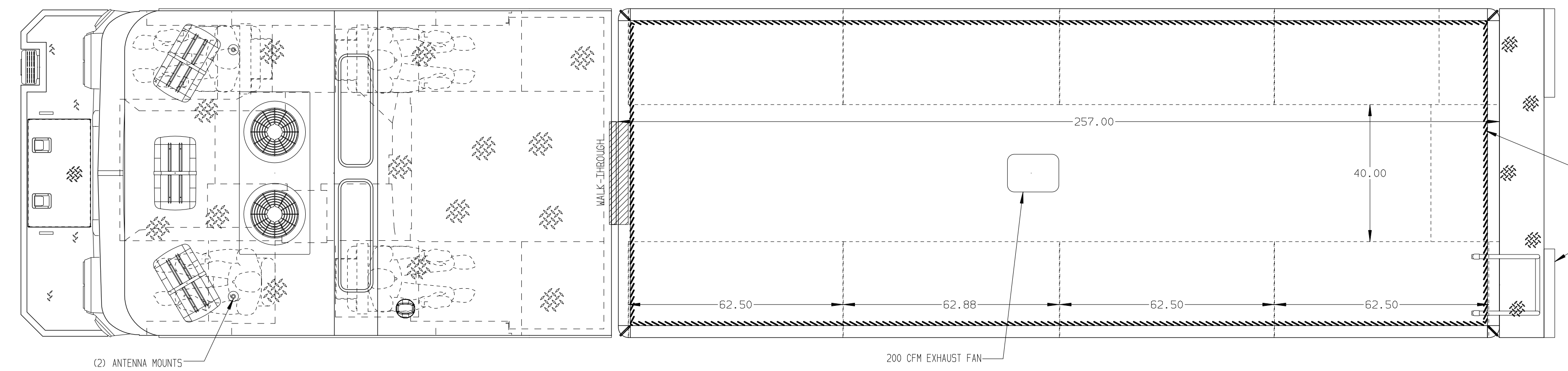
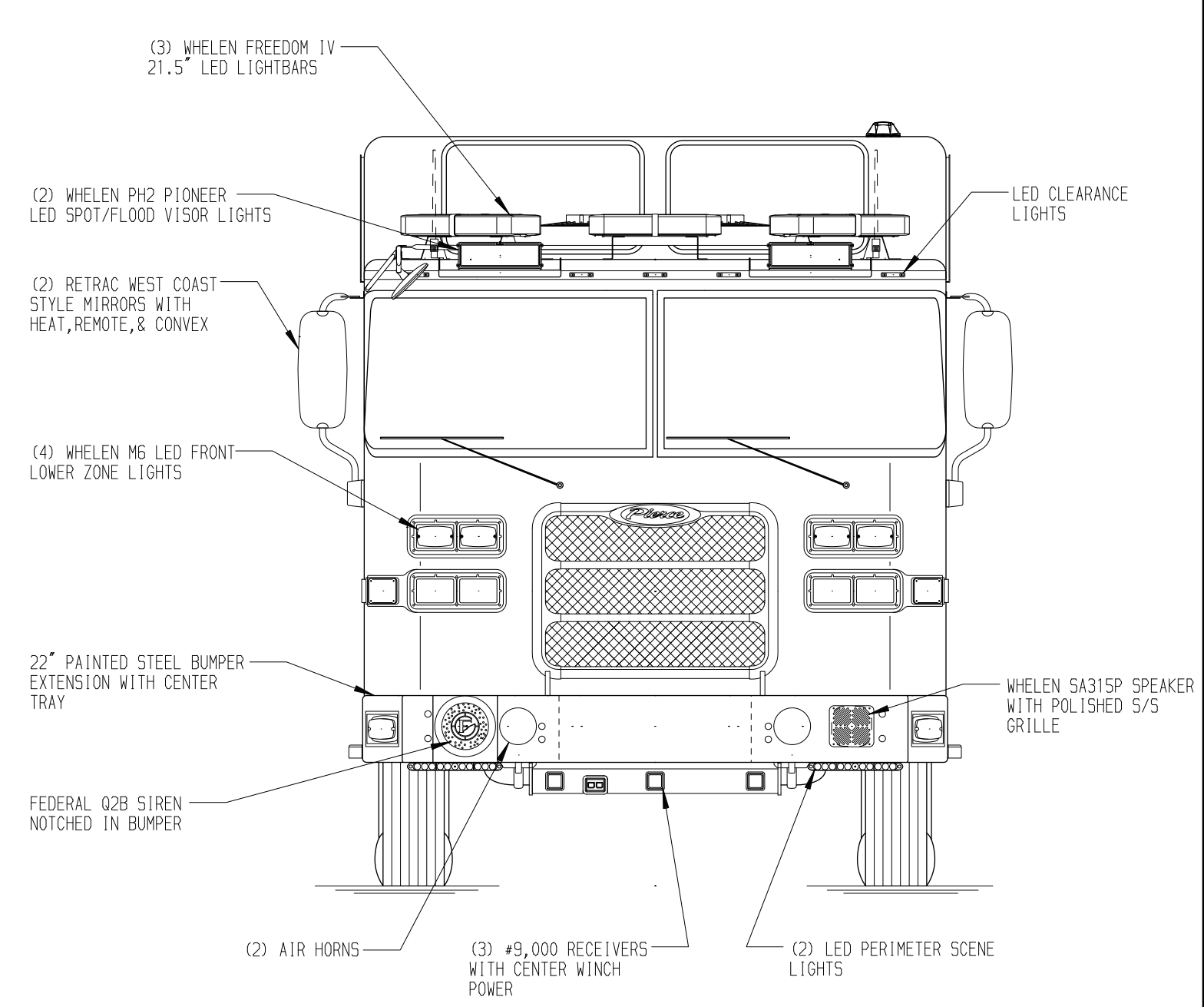
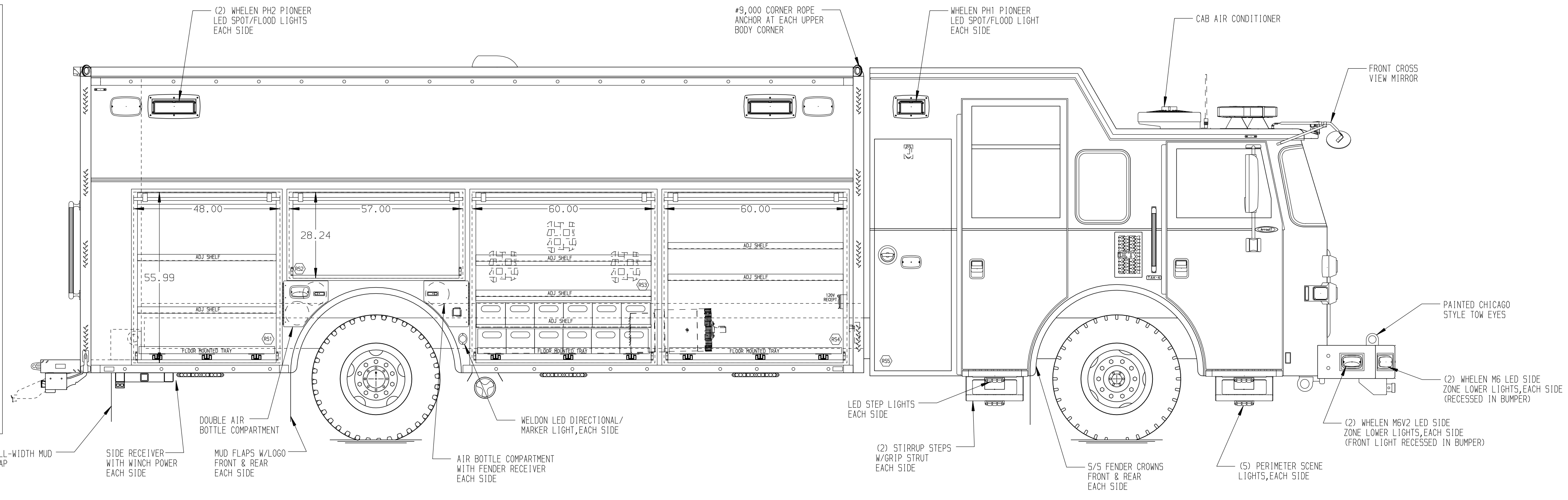
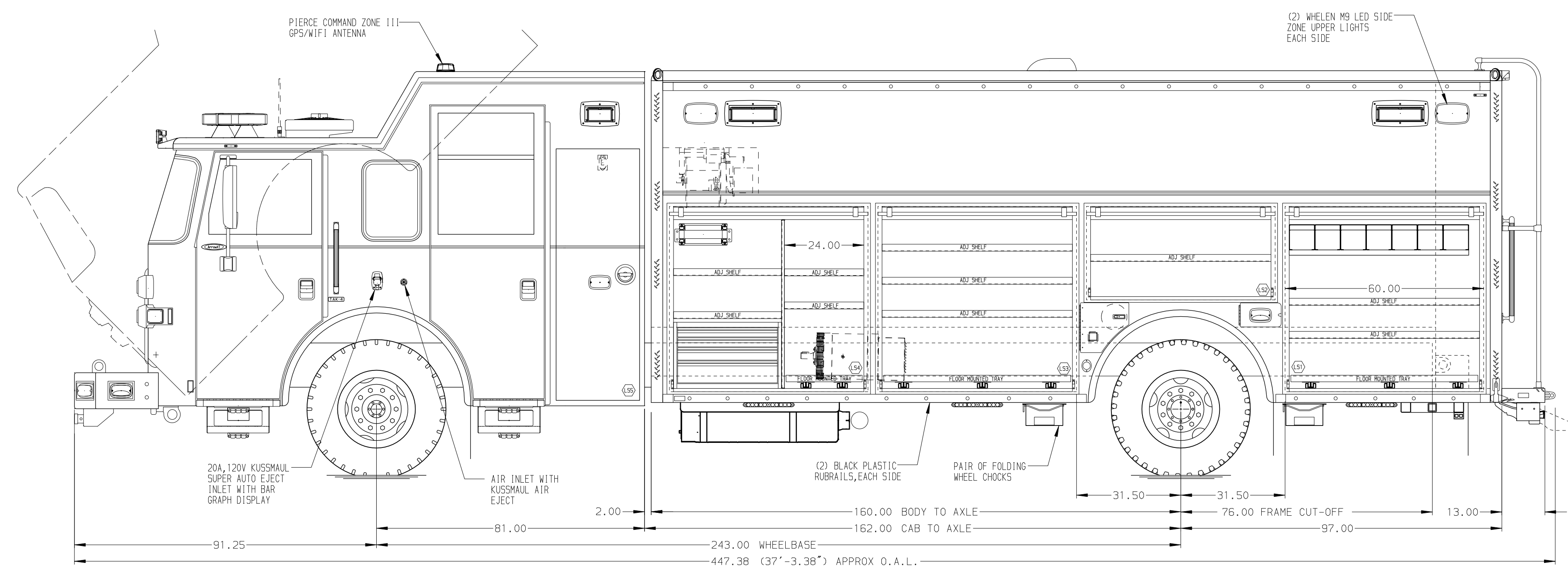


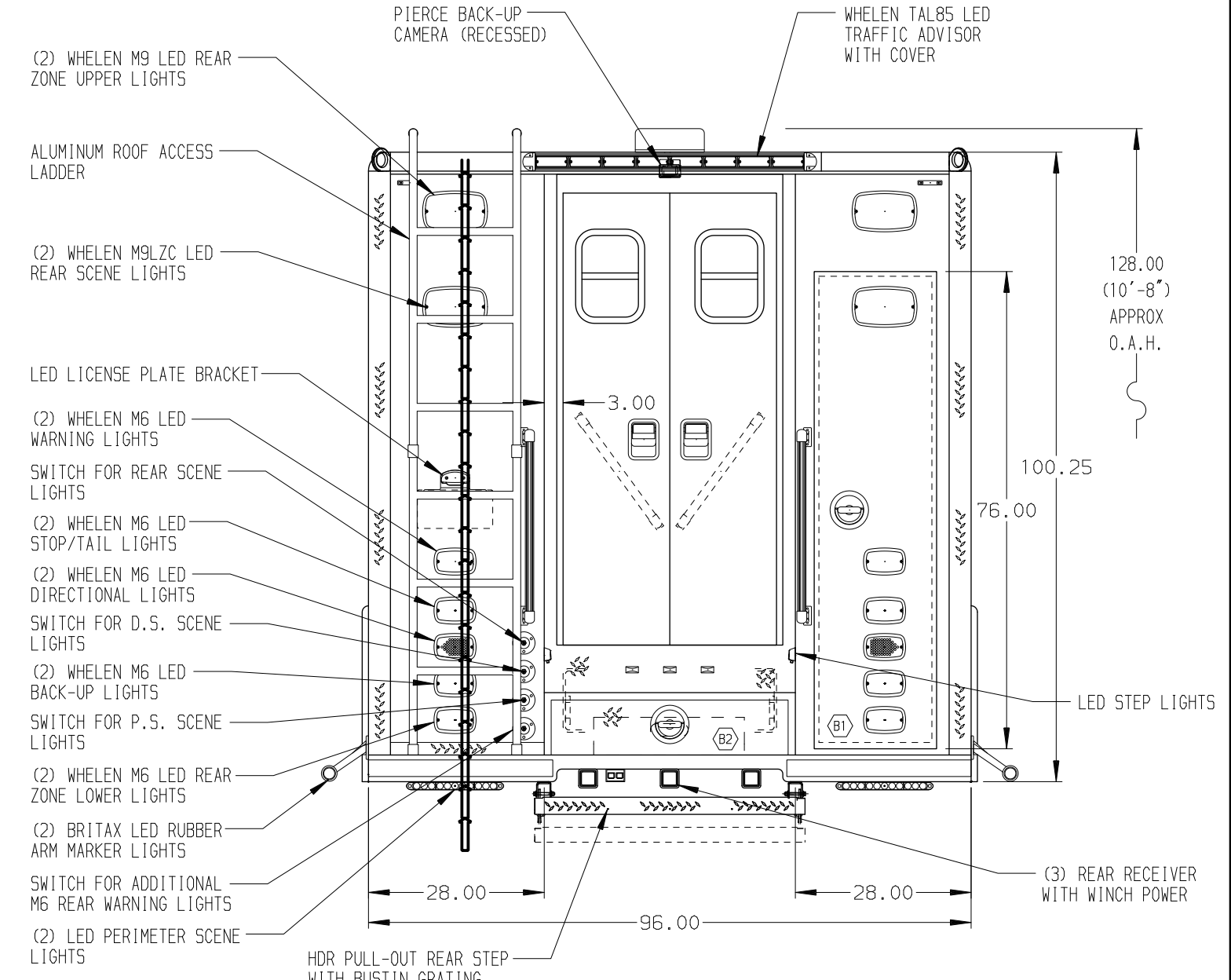
- RIGHT SIDE COMPARTMENTS CONTAIN THE FOLLOWING:**
- COMPARTMENT R51 CONTAINS:
    - (2) STD DEPTH ADJ SHELVES
    - (1) 750# FLOOR MOUNTED TRAY
  - COMPARTMENT R52 CONTAINS:
    -
  - COMPARTMENT R53 CONTAINS:
    - (1) STD DEPTH ADJ SHELF W/1" FRONT LIP
    - (2) POLY TOOL BOXES
    - (2) STD DEPTH ADJ SHELVES W/ANGLED FLOORS
    - (1) 750# FLOOR MOUNTED TRAY
    - CARGO RETENTION NETTING
  - COMPARTMENT R54 CONTAINS:
    - (1) CAB LIFT CONTROLLER
    - (1) 20A, 120V DUPLEX RECEPTACLE
    - (2) STD DEPTH ADJ SHELVES
    - (1) 750# FLOOR MOUNTED TRAY
  - COMPARTMENT R55 CONTAINS:
    - (1) 20A, 120V DUPLEX RECEPTACLE



- REAR COMPARTMENT CONTAINS THE FOLLOWING:**
- COMPARTMENT B1 CONTAINS:
    - PEGBOARD ON THE SIDE WALLS AND REAR WALL OF COMPARTMENT
  - COMPARTMENT B2 CONTAINS:
    - (1) POLY TOOL BOX



- LEFT SIDE COMPARTMENTS CONTAIN THE FOLLOWING:**
- COMPARTMENT L51 CONTAINS:
    - (2) STD DEPTH ADJ SHELVES
    - (1) #750 FLOOR MOUNTED TRAY
    - (1) RACK FOR 7-SCBA BOTTLES
  - COMPARTMENT L52 CONTAINS:
    - (1) STD DEPTH ADJ SHELF
  - COMPARTMENT L53 CONTAINS:
    - (3) STD DEPTH ADJ SHELVES
    - (1) #750 FLOOR MOUNTED TRAY
  - COMPARTMENT L54 CONTAINS:
    - (1) VERTICAL DIVIDER
    - (4) STD DEPTH ADJ SHELVES
    - (1) STD DEPTH FLOOR MOUNTED TRAY
    - (1) 4-DRAWER C-TECH CABINET
    - (1) ELECTRIC CORD REEL WITH 200' OF 10/4 YELLOW CABLE
  - COMPARTMENT L55 CONTAINS:
    - (1) ZICO AIR BOTTLE HOLDER
    - (1) 20A, 120V DUPLEX RECEPTACLE



**NOTE**  
DIMENSIONS SHOWN ARE APPROXIMATE AND ARE SUBJECT TO MINOR DEVIATIONS AS MAY OCCUR OR BE NECESSARY IN CONSTRUCTION. MINOR DETAILS NOT SHOWN.

- NOTES:**
- WARN #9,000 PORTABLE RECEIVER STYLE WINCH
  - FLOOR IN CAB AND CREW CAB TO BE ALUMINUM TREADPLATE
  - SIGTRONICS 4 POSITION INTERCOM SYSTEM
  - KUSSMAUL 1200 CHARGER LOCATED BEHIND THE DRIVER'S SEAT
  - RECEIVER EXTENSION SHIPPED LOOSE
  - (2) #9,000 TIE DOWNS SHIPPED LOOSE
  - FULL HEIGHT ALUMINUM TREADPLATE ON ALL BODY CORNERS
  - 5/5 "L"-SHAPE GUARDS OVER ALL BODY EXTERIOR ROLL-UP DOORS
  - PIERCE DUAL LED LIGHTS IN ALL BODY EXTERIOR COMPARTMENTS
  - TURTLE TILE ON COMPARTMENT FLOORS, SHELVES AND TRAYS

- ALUMINUM TREADPLATE ON ALL COMPARTMENT FLOORS
- ONAN 25kW SINGLE PHASE PTO DRIVEN GENERATOR WITH SPLASH GUARD LOCATED BETWEEN THE FRAME RAILS
- POLISHED 5/5 SCUFFPLATES ON CAB AND CREW CAB DOOR JAMBS
- ALUMINUM TREADPLATE ON CAB ROOF

MAXIMUM O.A.L. 37'-7"  
MAXIMUM O.A.H. 10'-9"  
SIDE ROLL AND FRONTAL IMPACT PROTECTION

CLEAR DOOR WIDTH KEY		DATE	BY	CH	CHASSIS DATA
AMOR ROLL UP DOORS	-2 1/4"	22AUG19	ALZ	AZU	TITLE
CORTITE ROLL UP DOORS	-2 1/2"	18JUL19	ALZ	AZU	HEAVY DUTY RESCUE WALKIN
PIERCE DOUBLE LIP DOORS	-4 1/4"	12JUL19	ALZ	AZU	FOR
PIERCE LIFT-UP LAP DOORS	-1 1/2"	30APR19	DHE	AZU	CITY OF PERTH AMBOY PERTH AMBOY, NJ
(EX: 60" F-F - 2 1/4" = 57 3/4" CLEAR)		REV	DATE	BY	CH
					AX8120

		JOB NO.	33627
		SCALE	1:24
<b>MANUFACTURING INC.</b>		DATE	
		DRAWN BY	DHE
<b>Pierce</b>		CHECKED BY	AZU
		DATE	05APR19
<b>MANUFACTURING INC.</b>		SHEET SIZE	SHEET NO.
		DWG NO.	33627AD-SH1
<b>MANUFACTURING INC.</b>		DWG NO.	33627AD-SH1
		SHEET NO.	1 OF 1