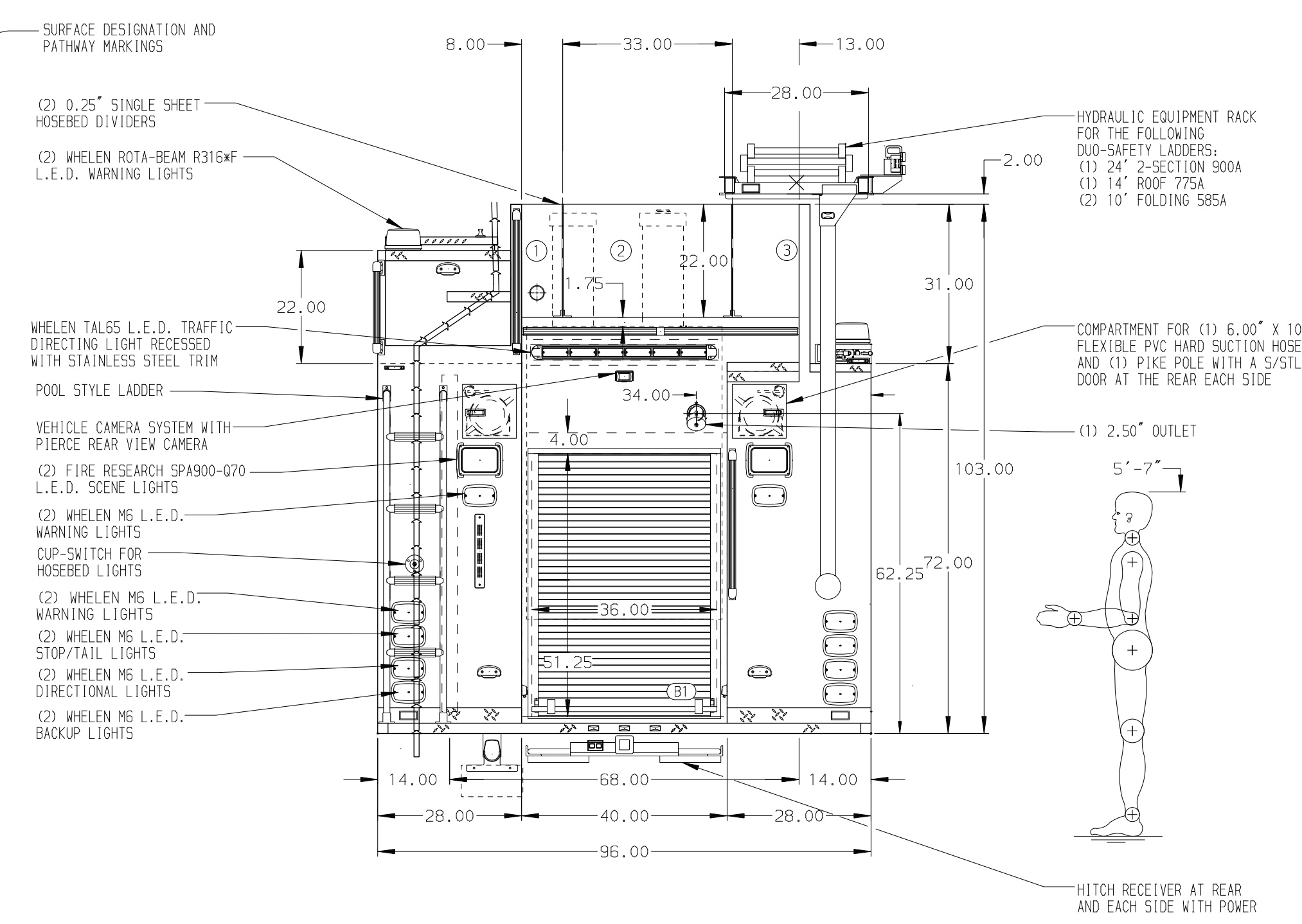
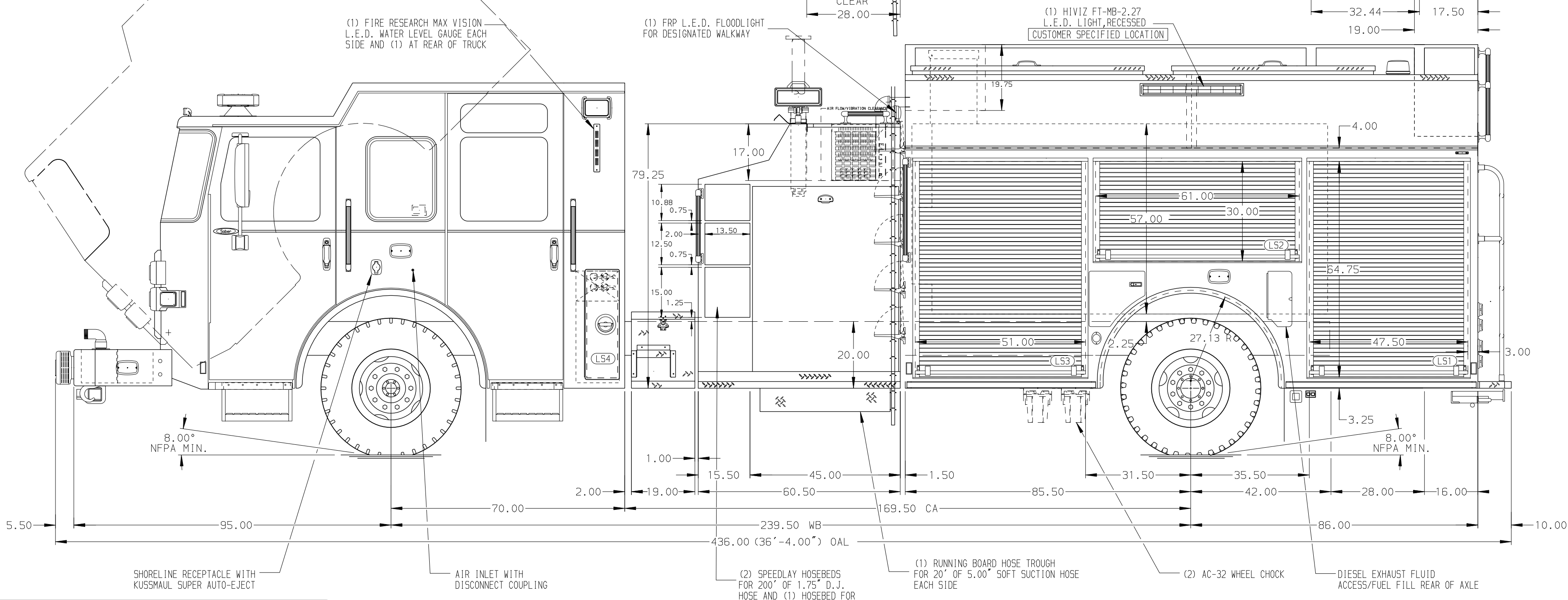


- HOSEBED CAPACITIES**
- ① 500' OF 1.75\"/>



STAINLESS STEEL BODY

NOTE
DIMENSIONS SHOWN ARE APPROXIMATE AND ARE SUBJECT TO MINOR DEVIATIONS AS MAY OCCUR OR BE NECESSARY IN CONSTRUCTION. MINOR DETAILS NOT SHOWN.

REV	DATE	BY	CH	SABER FR
18APR19	JLA	GSC		
14MAR19	KLE	AZA		

TITLE	FOR	DWG NO.
CHASSIS DATA	1250-D-1025P, 1000 GAL OF WATER W/ 25 GAL FOAM CELL 171\"/>	
MAKE	PIERCE	33660AD
MODEL		

JOB NO.	33660
SCALE	1:24
DATE	
DRAWN BY	KLE
CHECKED BY	AZA
SHEET SIZE	D
SHEET NO.	1 OF 1