

RIGHT SIDE COMPARTMENTS CONTAIN THE FOLLOWING:

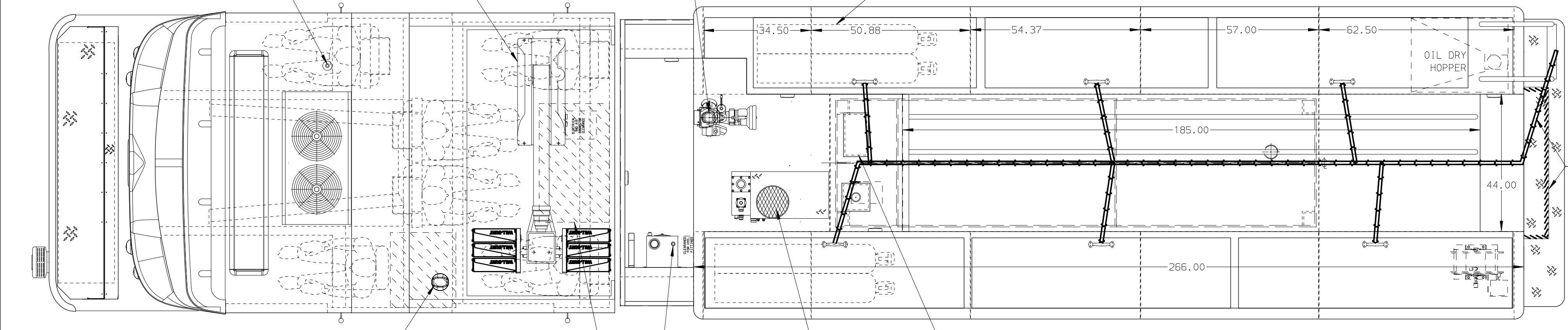
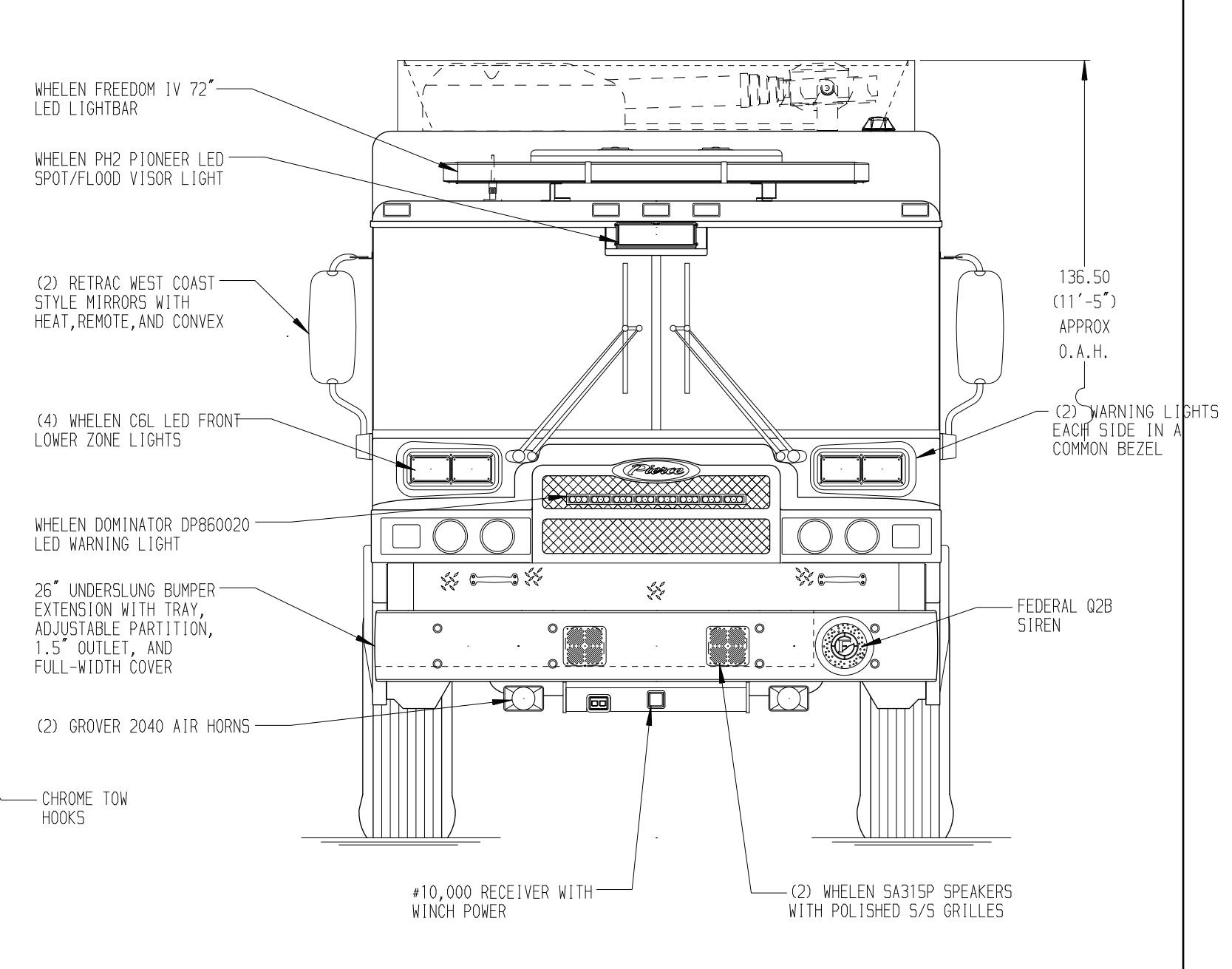
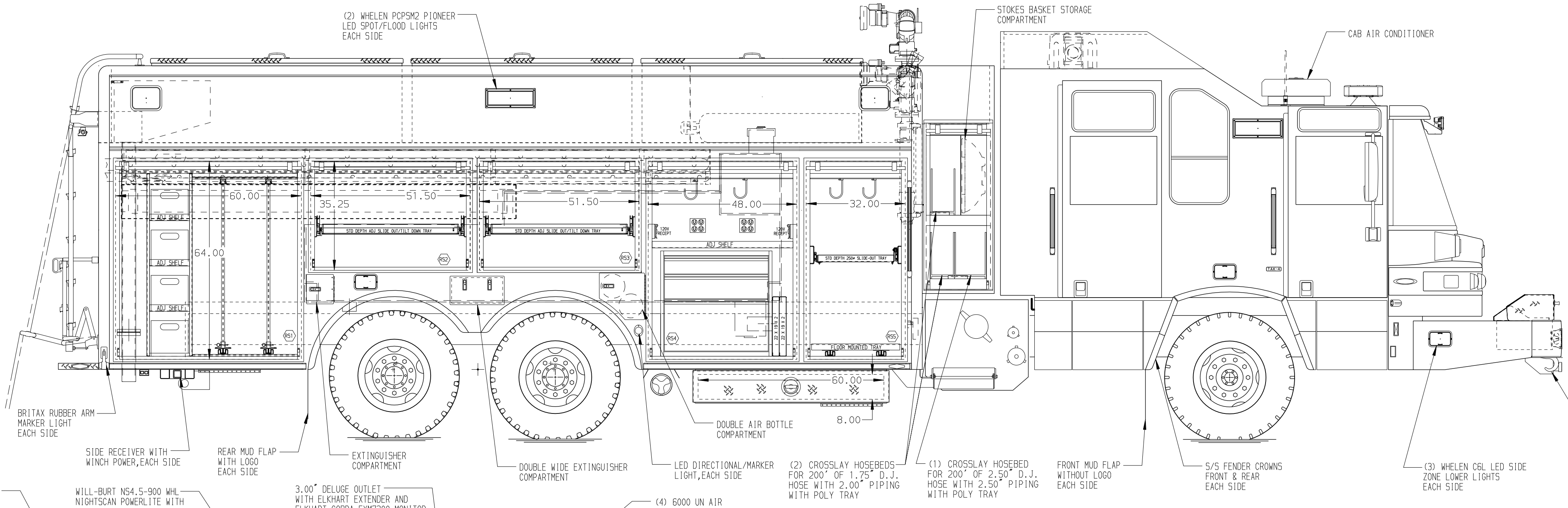
COMPARTMENT R51 CONTAINS:
 - (1) OIL DRY HOPPER
 - (3) STD DEPTH ADJ SHELVES
 - (2) STD DEPTH ADJ SLIDE OUT TOOLBOARDS
 - (4) POLY TOOL BOXES
 - (2) VERTICAL COMPARTMENT DIVIDERS

COMPARTMENT R52 CONTAINS:
 - (1) STD DEPTH ADJ SLIDE OUT/TILT TRAY

COMPARTMENT R53 CONTAINS:
 - (1) STD DEPTH ADJ SLIDE OUT/TILT TRAY

COMPARTMENT R54 CONTAINS:
 - (1) RACK FOR 2 AIR BAGS
 - (1) STD DEPTH ADJ SHELF
 - (8) "J" HOOKS WITH TRACKS
 - (1) 3-DRAWER C-TECH CABINET
 - (2) 15/20A, 120V 4-PLACE RECEPTACLES

COMPARTMENT R55 CONTAINS:
 - (1) CAB LIFT CONTROLLER
 - (1) STD DEPTH ADJ SLIDE OUT TRAY
 - (1) FLOOR MOUNTED TRAY
 - (8) "J" HOOKS WITH TRACKS



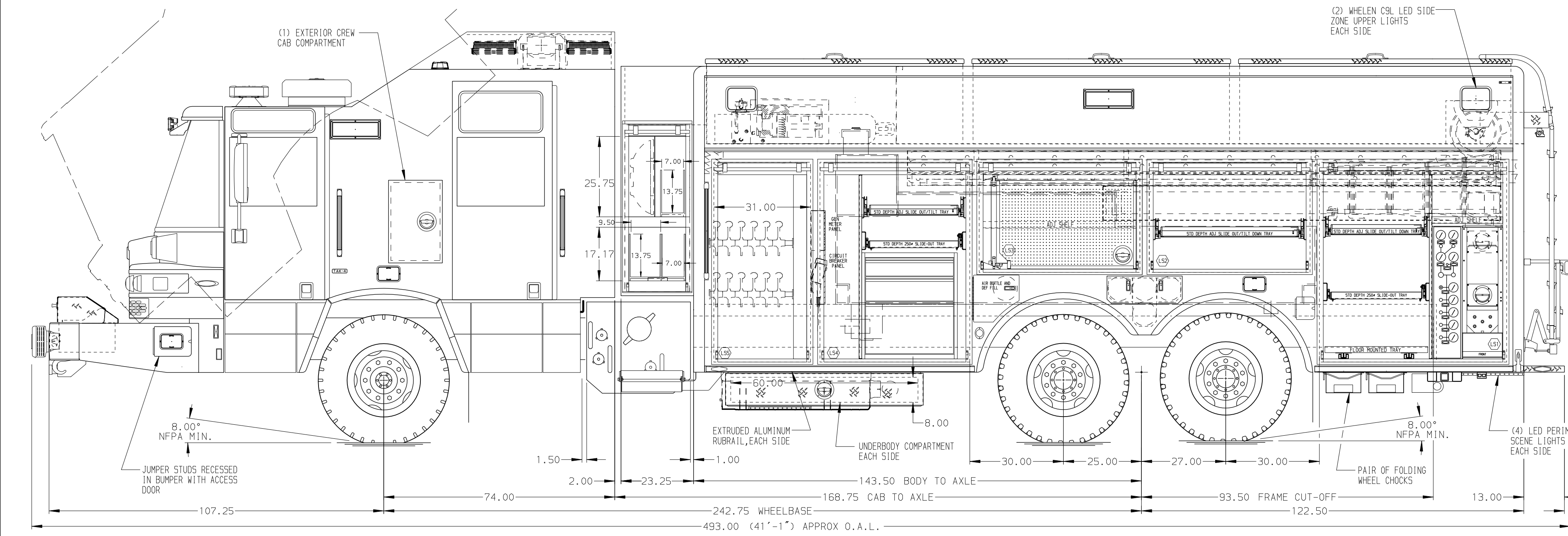
COMPARTMENT B1 CONTAINS THE FOLLOWING:
 - (1) RACK FOR THE FOLLOWING:
 - (3) 6"X10' HARD SUCTION HOSE
 - (1) LITTLE GIANT LADDER
 - (1) 14' FOLDING LADDER
 - (1) 15' ROOF LADDER
 - (1) 28' 2-SECTION LADDER
 - (6) PIKE POLES
 - (1) 60" DP ADJ SLIDE OUT TRAY
 - (1) AKRON ELECTRIC CORD REEL W/200' OF 10/4 BLACK CORD

REAR COMPARTMENT CONTAINS THE FOLLOWING:

COMPARTMENT B1 CONTAINS:
 - (1) RACK FOR THE FOLLOWING:
 - (3) 6"X10' HARD SUCTION HOSE
 - (1) LITTLE GIANT LADDER
 - (1) 14' FOLDING LADDER
 - (1) 15' ROOF LADDER
 - (1) 28' 2-SECTION LADDER
 - (6) PIKE POLES
 - (1) 60" DP ADJ SLIDE OUT TRAY
 - (1) AKRON ELECTRIC CORD REEL W/200' OF 10/4 BLACK CORD

HOSEBED CAPACITY

- ① 1000' OF 5.00" HOSE
- ② 500' OF 2.50" HOSE



LEFT SIDE COMPARTMENTS CONTAIN THE FOLLOWING:

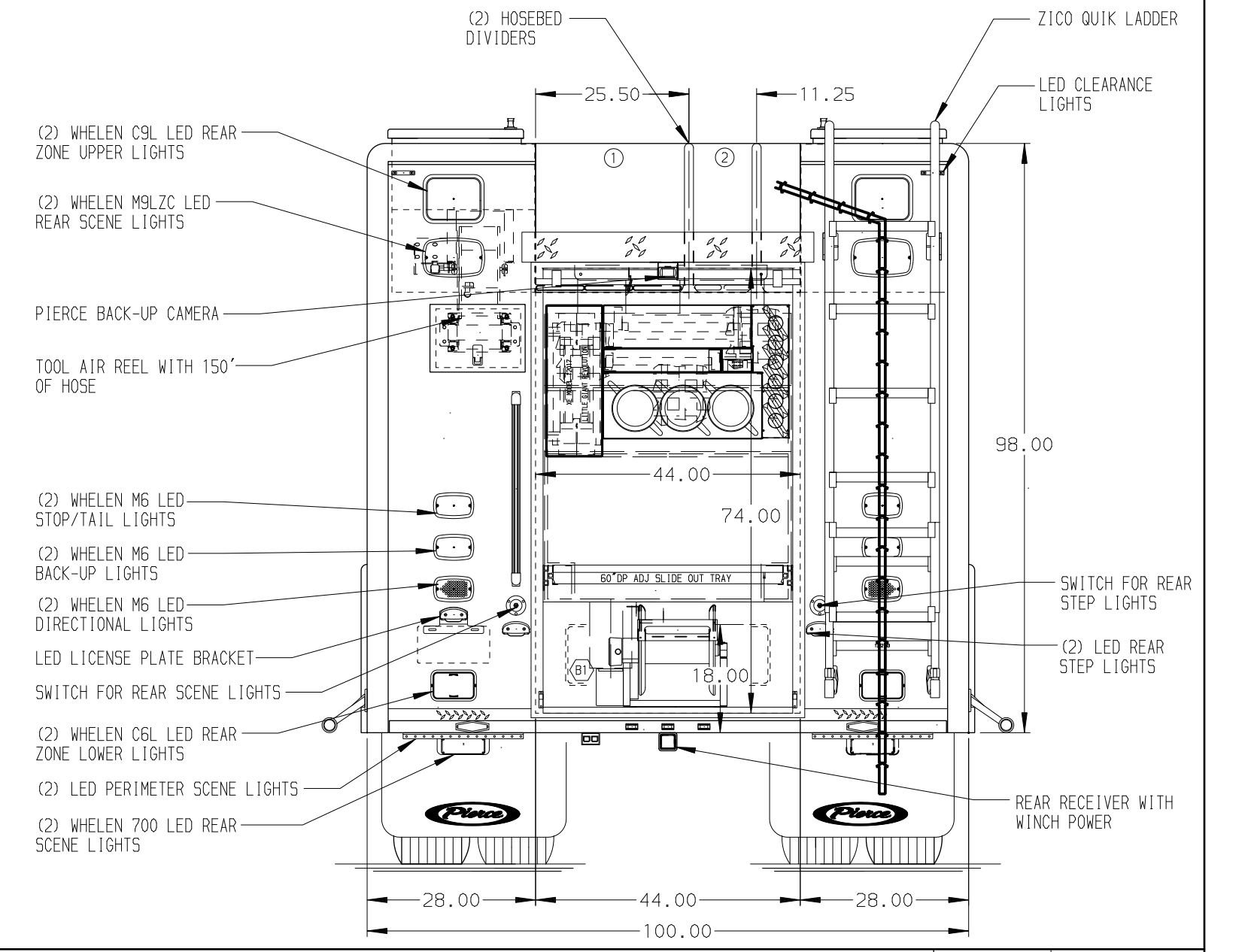
COMPARTMENT L51 CONTAINS:
 - (1) STD DEPTH ADJ SLIDE OUT TRAY
 - (1) STD DEPTH ADJ SLIDE OUT/TILT TRAY
 - (1) FLOOR MOUNTED TRAY
 - (1) VERTICAL COMPARTMENT DIVIDER
 - (1) CASCADE SYSTEM CONTROL PANEL
 - (1) "SPACESAVER" 2-BOTTLE FILL ENCLOSURE
 - (1) STD DEPTH ADJ SHELF

COMPARTMENT L52 CONTAINS:
 - (1) STD DEPTH ADJ SLIDE OUT/TILT TRAY

COMPARTMENT L53 CONTAINS:
 - (1) SPECIAL DEPTH ADJ SHELF
 - (1) SWING OUT TOOLBOARD

COMPARTMENT L54 CONTAINS:
 - (1) STD DEPTH ADJ SLIDE OUT TRAY
 - (1) STD DEPTH ADJ SLIDE OUT/TILT TRAY
 - (1) 3-DRAWER C-TECH CABINET
 - (1) VERTICAL COMPARTMENT DIVIDER
 - (1) CIRCUIT BREAKER PANEL
 - (1) GENERATOR METER PANEL
 - (1) NIGHTSCAN CONTROLLER

COMPARTMENT L55 CONTAINS:
 - (1) KUSSMAUL PUMP PLUS 1200 CHARGER



NOTE
 DIMENSIONS SHOWN ARE APPROXIMATE AND ARE SUBJECT TO MINOR DEVIATIONS AS MAY OCCUR OR BE NECESSARY IN CONSTRUCTION. MINOR DETAILS NOT SHOWN.

- NOTES:**
1. PIERCE 1500 GPM PUC PUMP
 2. AIR INLET WITH DISCONNECT LOCATED ON DRIVERS SEAT RISER
 3. POLISHED 5/5 SCUFFPLATES ON CAB AND CREW CAB DOOR JAMBS
 4. FLOOR IN CAB AND CREW CAB TO BE ALUMINUM TREADPLATE
 5. BATTERY CHARGE INDICATOR LOCATED ON THE DRIVERS SIDE SEAT RISER
 6. 20A, 120V SHORELINE INLET LOCATED ON THE DRIVERS SIDE SEAT RISER
 7. PULL STRAPS ON ALL BODY ROLL-UP DOORS
 8. PIERCE LED LIGHTS IN ALL BODY AND HATCH COMPARTMENTS
 9. (3) 15A, 120V 6-PLACE RECEPTACLES LOCATED ON THE ENGINE TUNNEL

(SIDE ROLL & FRONTAL IMPACT PROTECTION)

REV	DATE	BY	CH	QX7412
040CT19	ALZ	AZU		CHASSIS DATA
05AUG19	ALZ	AZU		MAKE
13MAY19	DHE	AZU		PIERCE
				MODEL

		JOB NO.	33674
		SCALE	1:24
TITLE	HEAVY DUTY RESCUE NON-WALKIN/PUC WITH 750 GAL WATER TANK W/30 GAL FOAM	DRAWN BY	DHE 19APR19
FOR	CAMPBELLSPORT FIRE DEPARTMENT	CHECKED BY	AZU 19APR19
	CAMPBELLSPORT, WI	SHEET SIZE	SHEET NO.
DWG NO.	33674AD		1 OF 1