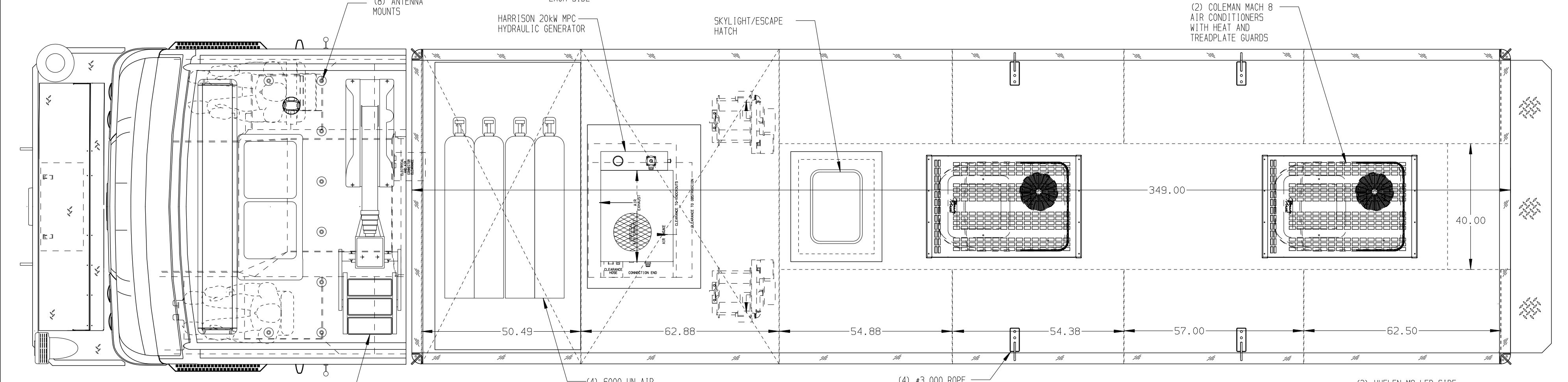
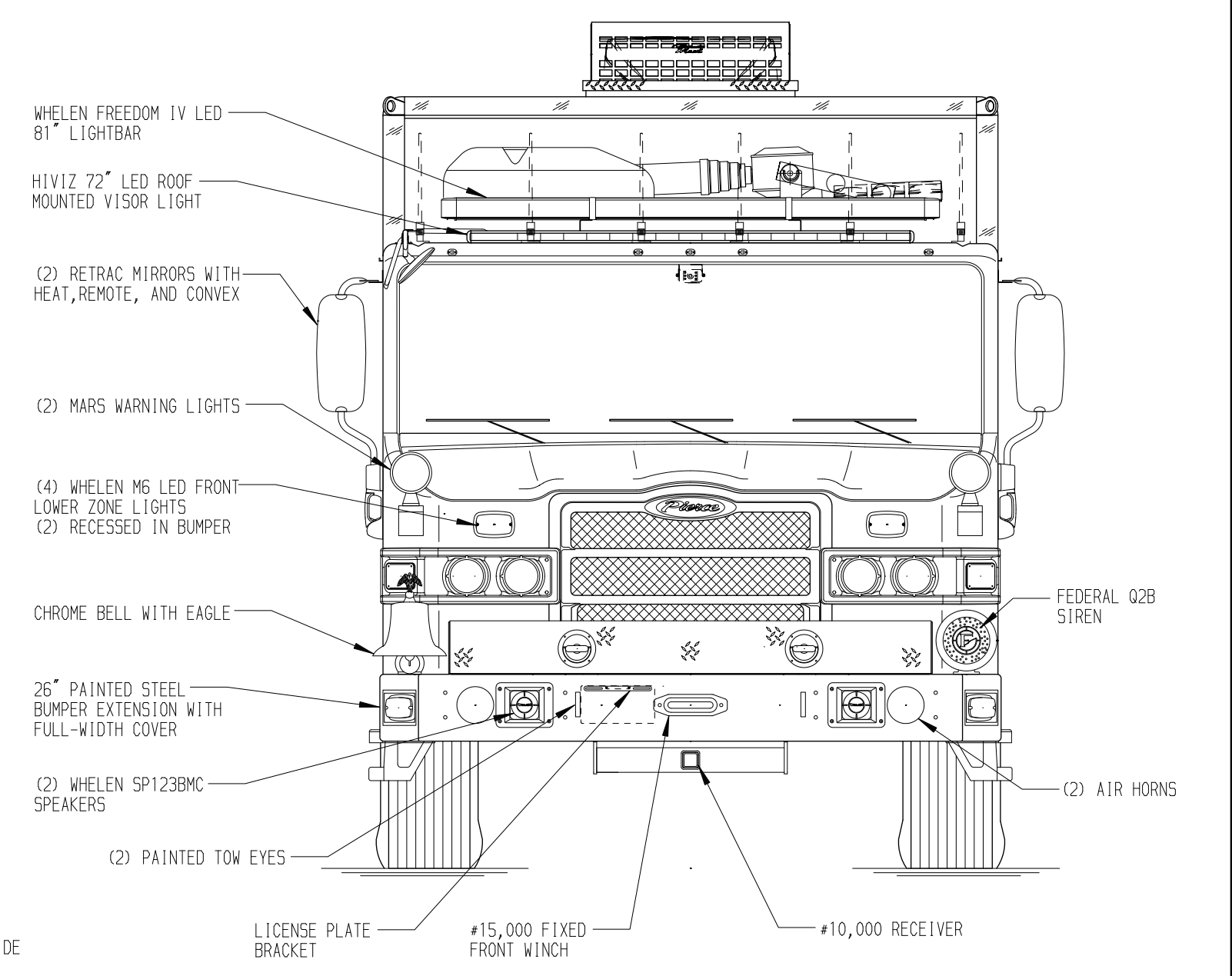
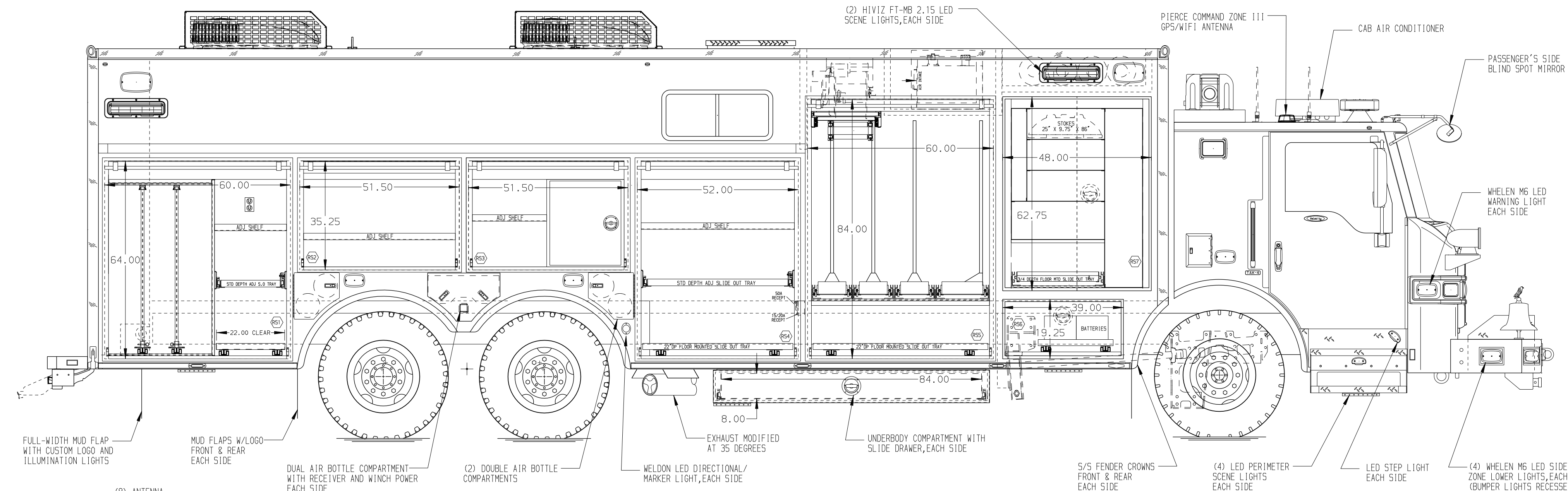
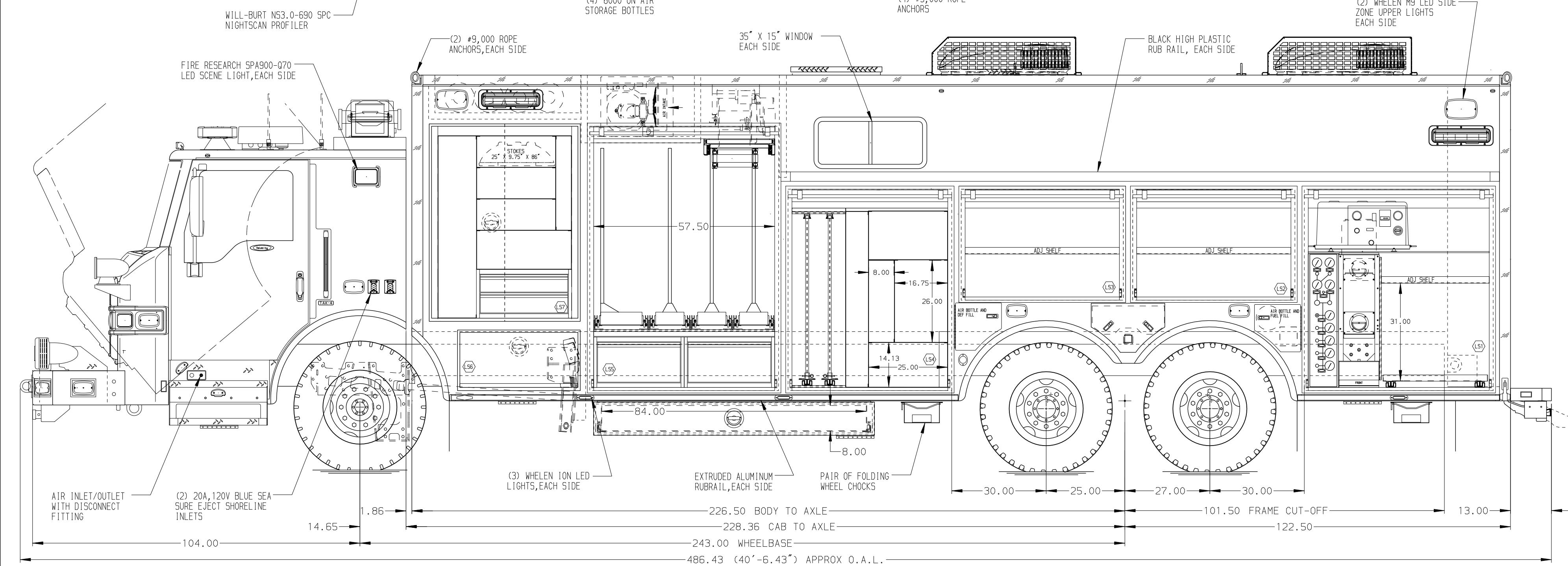
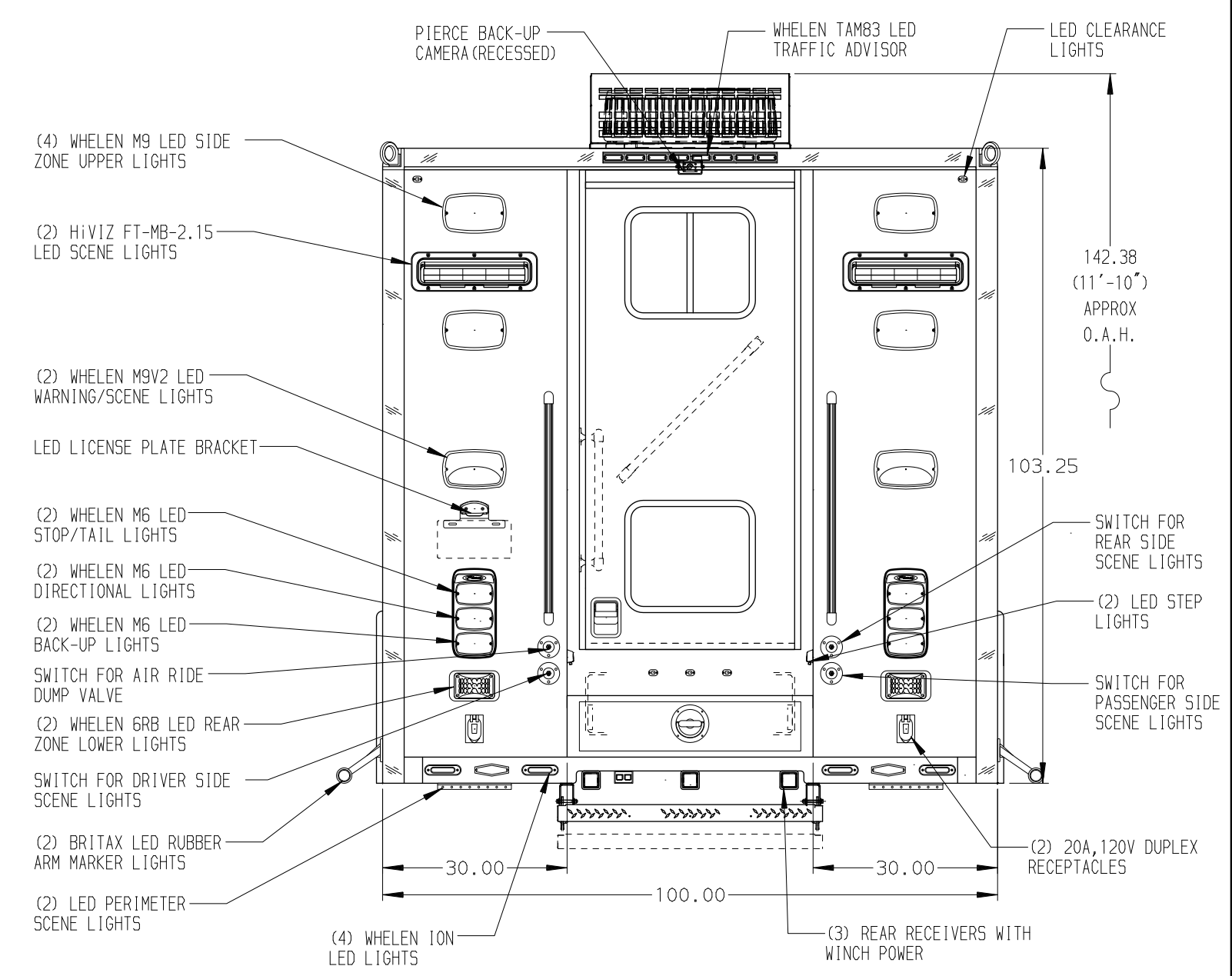


- RIGHT SIDE COMPARTMENTS CONTAIN THE FOLLOWING:**
- COMPARTMENT R51 CONTAINS:
 - (1) VERTICAL COMPARTMENT DIVIDER
 - (1) STD DEPTH ADJ SHELF
 - (1) FLOOR MOUNTED TRAY
 - (1) STD DEPTH ADJ SLIDE OUT TRAY
 - (2) STD DEPTH ADJ SLIDE OUT TOOLBOARDS
 - (1) 15/20A, 120V DUPLEX RECEPTACLE
 - COMPARTMENT R52 CONTAINS:
 - (1) STD DEPTH ADJ SHELF
 - COMPARTMENT R53 CONTAINS:
 - (1) STD DEPTH ADJ SHELF
 - (1) VENTILATED STORAGE BOX
 - COMPARTMENT R54 CONTAINS:
 - (1) STD DEPTH ADJ SHELF
 - (1) FLOOR MOUNTED TRAY
 - (1) STD DEPTH ADJ SLIDE OUT TRAY
 - (1) 15/20A, 120V DUPLEX RECEPTACLE
 - (1) 50A, 240V RECEPTACLE
 - COMPARTMENT R55 CONTAINS:
 - (1) HORIZONTAL FLOOR EXTENSION
 - (4) 2-WAY FLOOR MOUNTED SLIDE OUT TRAYS WITH TOOLBOARDS
 - (1) FLOOR MOUNTED TRAY
 - (1) ELECTRIC CORD REEL WITH CAPACITY FOR 200' OF 10/3 BLACK CORD(CTF)
 - COMPARTMENT R56 CONTAINS:
 - CHASSIS BATTERIES ON TRAY
 - COMPARTMENT R57 CONTAINS:
 - (1) 3/4 DEPTH FLOOR MID SLIDE OUT TRAY
 - STORAGE RACK WITH SIX TROUGHS
 - (1) FALSE FLOOR TO SUPPORT EQUIPMENT RACK



- LEFT SIDE COMPARTMENTS CONTAIN THE FOLLOWING:**
- COMPARTMENT L51 CONTAINS:
 - (1) STD DEPTH ADJ SHELF
 - (1) FLOOR MOUNTED TRAY
 - (1) PERMANENTLY MOUNTED SHELF
 - (1) CASCADE SYSTEM CONTROL PANEL
 - (1) "SPACE SAVER" 2-BOTTLE FILL ENCLOSURE
 - (1) BREATHING AIR BOOSTER PUMP
 - COMPARTMENT L52 CONTAINS:
 - (1) STD DEPTH ADJ SHELF
 - COMPARTMENT L53 CONTAINS:
 - (1) STD DEPTH ADJ SHELF
 - COMPARTMENT L54 CONTAINS:
 - (2) STD DEPTH ADJ SLIDE OUT TOOLBOARDS
 - STORAGE RACK WITH SIX TROUGHS
 - COMPARTMENT L55 CONTAINS:
 - (1) HORIZONTAL FLOOR EXTENSION
 - (4) 2-WAY FLOOR MOUNTED SLIDE OUT TRAYS WITH TOOLBOARDS
 - (2) C-TECH CABINETS
 - (1) ELECTRIC CORD REEL WITH CAPACITY FOR 200' OF 10/3 BLACK CORD(CTF)
 - COMPARTMENT L56 CONTAINS:
 - LIGHT TOWER CONTROLLER
 - COMPARTMENT L57 CONTAINS:
 - (1) 2-DRAWER C-TECH CABINET
 - STORAGE RACK WITH SIX TROUGHS



NOTE
DIMENSIONS SHOWN ARE APPROXIMATE AND ARE SUBJECT TO MINOR DEVIATIONS AS MAY OCCUR OR BE NECESSARY IN CONSTRUCTION. MINOR DETAILS NOT SHOWN.

- NOTES:**
- (1) ZONE DEFENDER DUAL DASH CAMERA MOUNTED IN THE CAB
 - PROGRESSIVE DYNAMICS CHARGER LOCATED BEHIND THE DRIVER'S SEAT
 - BRUSHED S/S SCUFFPLATES ON ROOF EDGES AND FRONT AND REAR BODY CORNERS
 - PULL STRAPS ON ALL BODY ROLL-UP DOORS
 - AMOR LED LIGHTS IN ALL BODY COMPARTMENTS
 - GTT OPTICON SYSTEM LOCATED BEHIND THE DRIVER'S SEAT



CLEAR DOOR WIDTH KEY		CHASSIS DATA	
AMOR ROLL UP DOORS	-2 1/4"	040CT19	ALZ AZU
CORTITE ROLL UP DOORS	-2 1/2"	16AUG19	ALZ AZU
PIERCE DOUBLE LIP DOORS	-4 1/4"	24JUN19	DHE CDK
PIERCE LIFT-UP LAP DOORS	-1 1/2"		
(EX: 60" F-F - 2 1/4" = 57 3/4" CLEAR)			
(F-F) = FRAME TO FRAME			

Pierce MANUFACTURING INC.

JOB NO. 33684

SCALE 1:24 DATE

TITLE HEAVY DUTY RESCUE WALKIN/NON-WALKIN

FOR WOODLANDS TOWNSHIP WOODLANDS TOWNSHIP, TX ALLEN HUELSEBUSCH

DWG NO. 33684AD-SH1

DRAWN BY DHE 13JUN19

CHECKED BY AZU 14JUN19

SHEET SIZE D SHEET NO. 1 OF 1