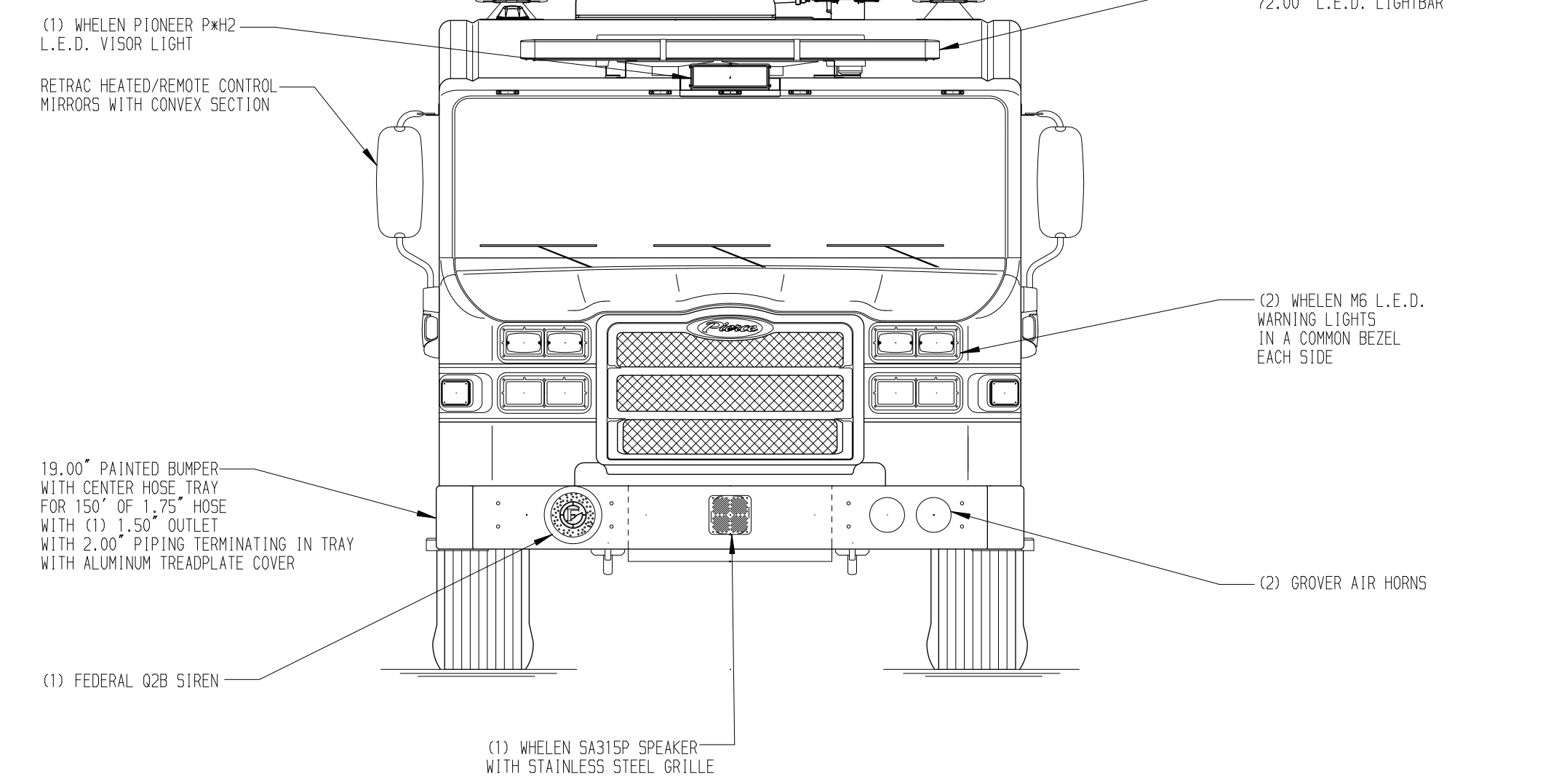
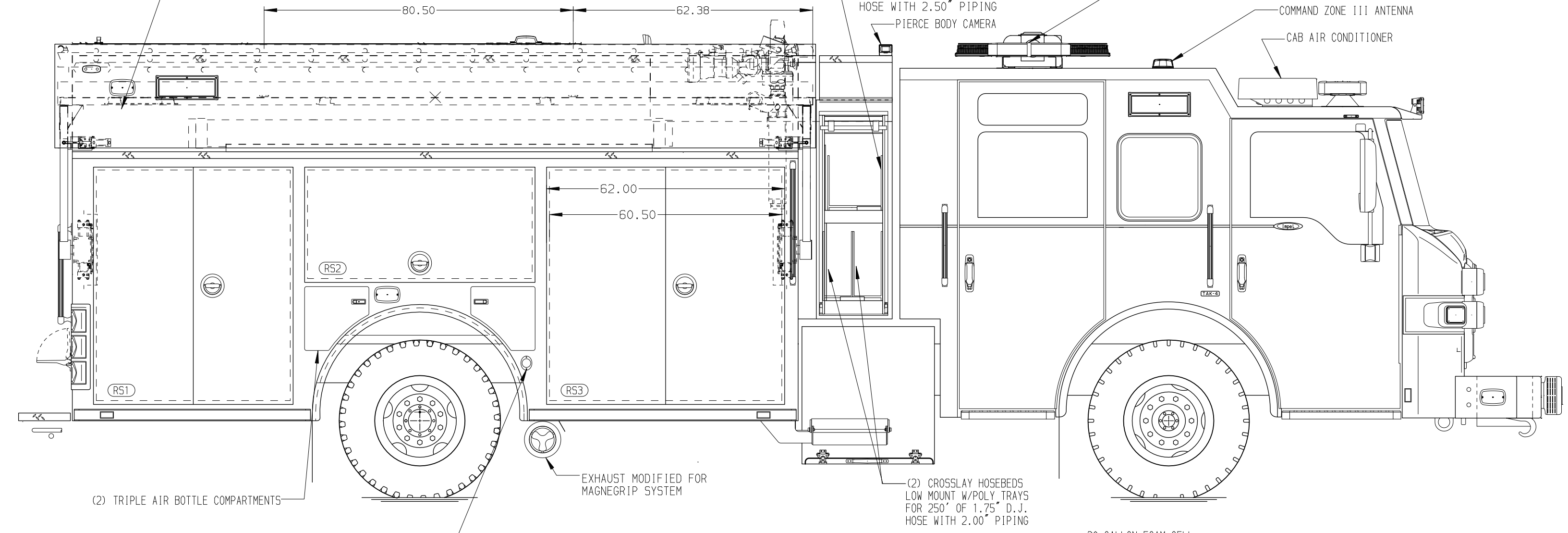


(1) WHELEN M6 L.E.D. WARNING LIGHT MOUNTED ON THE SIDE SHEET FOR WHEN THE LADDER RACK IS LOWERED

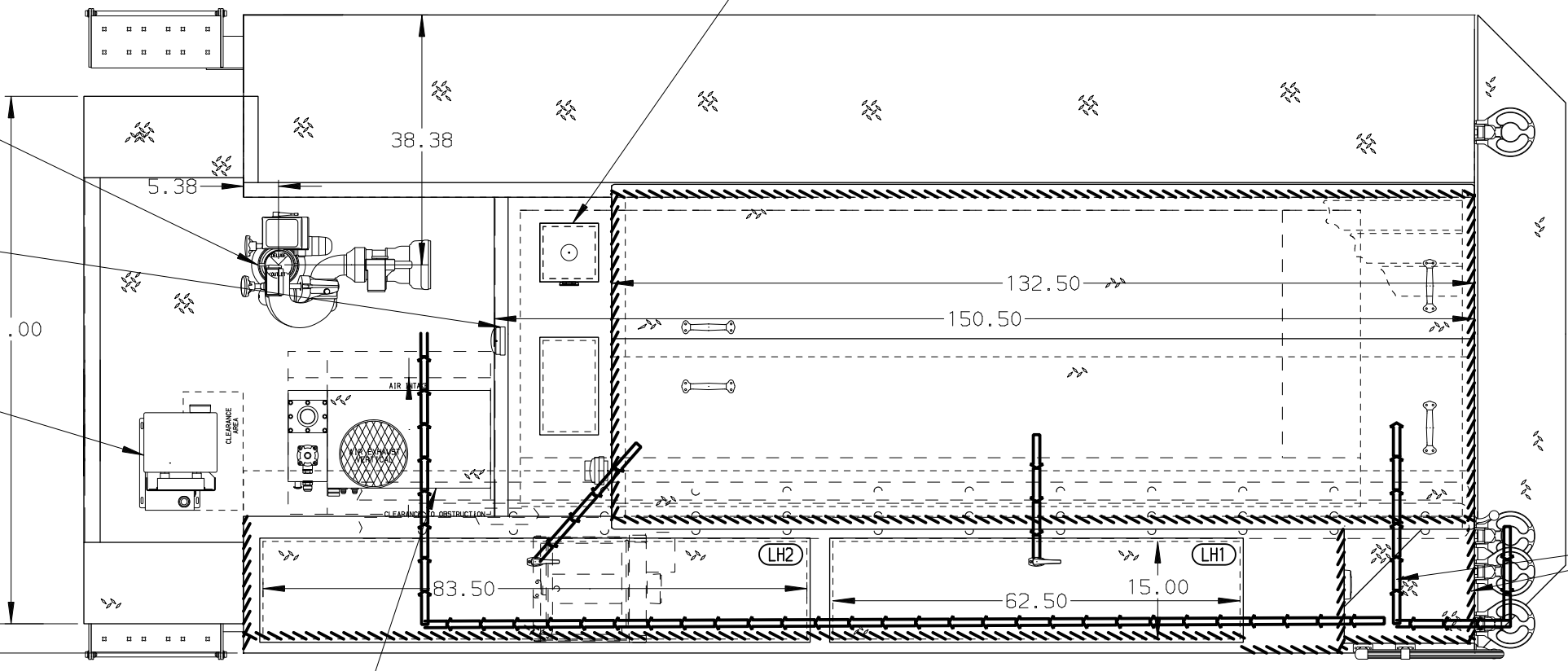


HOSEBED CAPACITIES
 ① 1000' OF 5.00\"/>

3.00\"/>

(2) FRP L.E.D. FLOODLIGHTS FOR DESIGNATED WALKWAY

HUSKY 3 FOAM SYSTEM



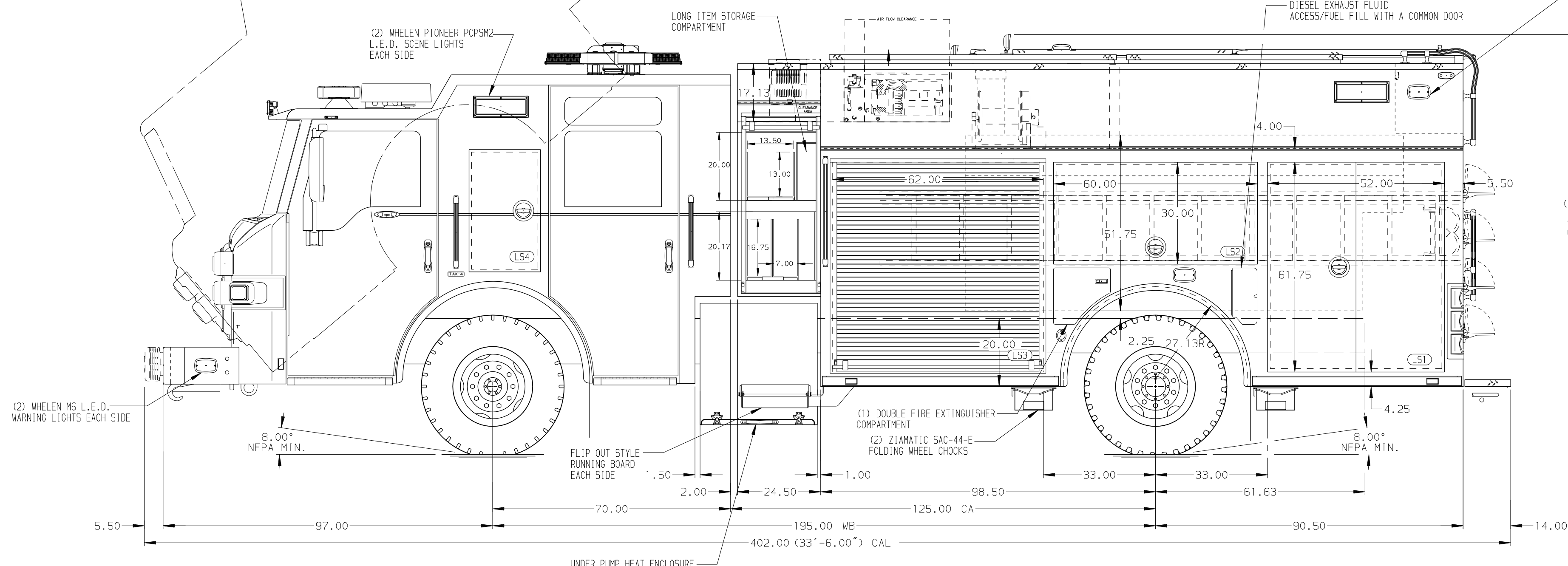
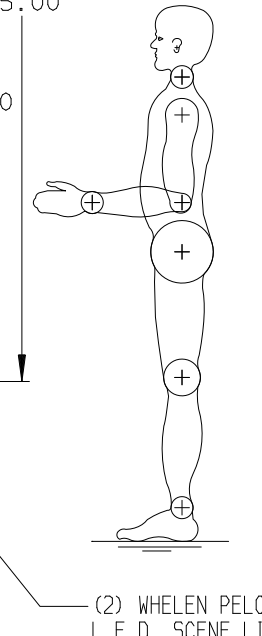
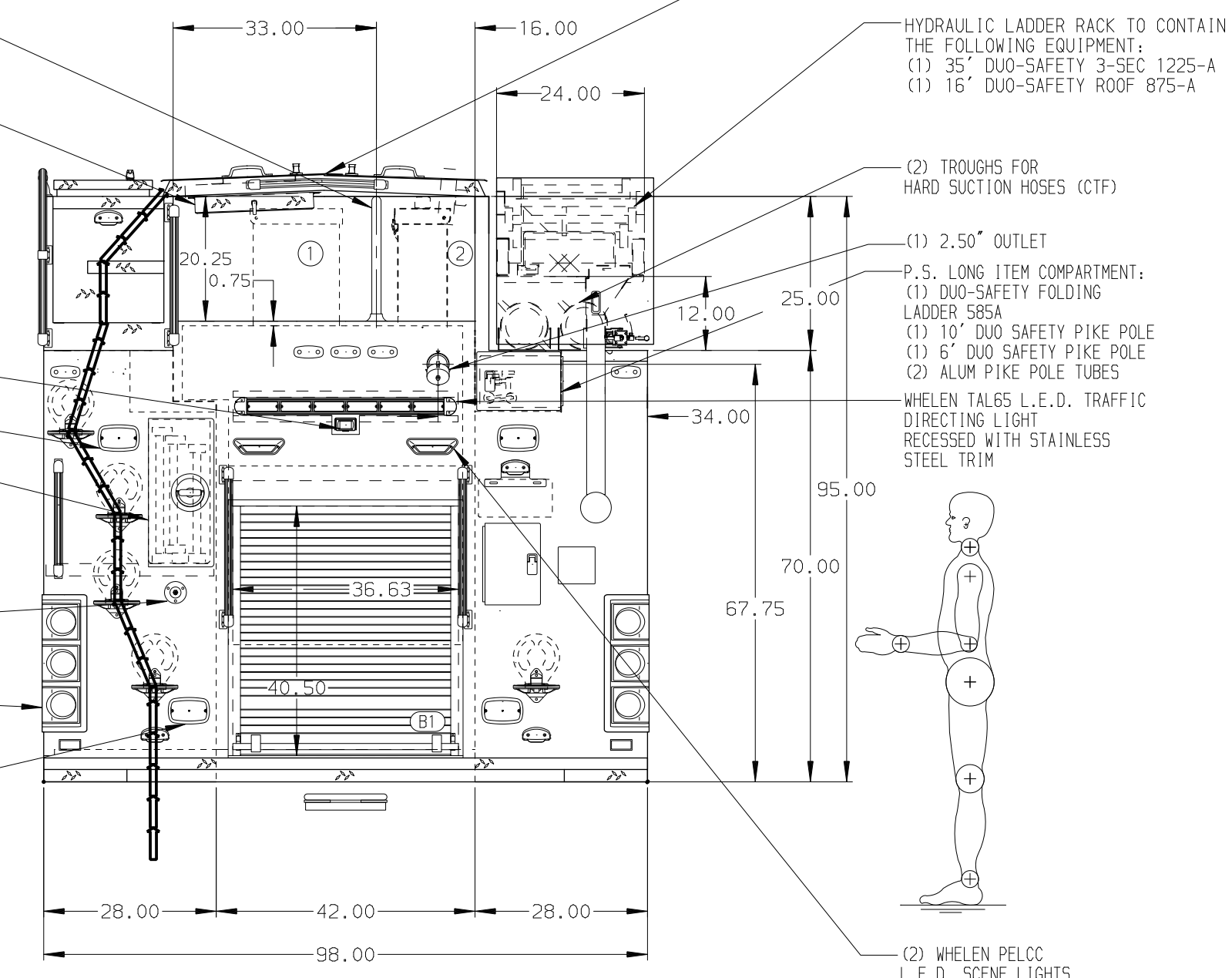
SURFACE DESIGNATION AND PATHWAY MARKINGS

(1) HOSEBED DIVIDER
 (1) WHELEN M6 L.E.D. WARNING LIGHT EACH SIDE
 BACKBOARD COMPARTMENT FOR (1) BACKBOARD 2.50\"/>

PIERCE BACKUP CAMERA (RECESSED WITH TRAFFIC ADVISOR LIGHT)
 (2) WHELEN M6 L.E.D. WARNING LIGHTS
 LADDER STORAGE FOR (1) 24\"/>

CUPSWITCH FOR HOSEBED LIGHTING

(2) WRAP AROUND L.E.D. LIGHT SETS WITH STOP/TAIL, BACK UP AND DIRECTIONAL LIGHTS IN A COMMON BEZEL
 (2) WHELEN M6 L.E.D. WARNING LIGHTS



ALUMINUM BODY

SIDE ROLL AND FRONTAL IMPACT PROTECTION

NOTE
 DIMENSIONS SHOWN ARE APPROXIMATE AND ARE SUBJECT TO MINOR DEVIATIONS AS MAY OCCUR OR BE NECESSARY IN CONSTRUCTION.
 MINOR DETAILS NOT SHOWN.

- AIR INLET WITH DISCONNECT COUPLING ON D.S. STEP WELL
- BATTERY CHARGER LOCATED IN L53
- BATTERY CHARGER INDICATOR LOCATED NEAR DRIVER'S SEAT RISER WITH BRACKET
- 120V NEMA STRAIGHT BLADE SHORELINE RECEPTACLE ON D.S. STEP WELL
- DUAL L.E.D. LIGHT STRIPS LOCATED IN HOSE BED
- FULL WIDTH/DEPTH ADJUSTABLE SHELVES TWO IN R51 AND R53 AND ONE IN L51, L53, AND B1
- ONE ADJUSTABLE TILTING SLIDE-OUT TRAY IN R52
- ONE FLOOR MOUNTED SLIDE-OUT TRAY IN B1
- ONE SWING-OUT ALUMINUM TOOL BOARD IN L52
- ALUMINUM PEGBOARD WITH TRACKS ON THE BACK WALL OF L53
- STORAGE RACK FOR 6 AIR BOTTLES IN R51
- CIRCUIT BREAKER PANEL IN L53
- ONE AKRON MODEL ERWC-15-10 4-WIRE ELECTRIC REWIND CORD REEL WITH 200' OF 10/4 CABLE IN LH2
- ONE 120V 6-PLACE RECEPTACLE STRIP ONE BEHIND THE OFFICER'S SEAT AND ONE FRONT TO BACK FROM THE OFFICER'S POSITION

REV	DATE	BY	CH	IMPEL
1	14AUG19	LST	CW1	CHASSIS DATA
2	17JUN19	LST	CW1	MAKE
3	20MAY19	LST	CW1	PIERCE
4	28MAR19	LST	AZA	MODEL

		JOB NO.	33686
		SCALE	DATE
TITLE	1500-D-950P, 930 GAL OF WATER W/ 20 GAL FOAM CELL 189\"/>	DRAWN BY	LST
FOR	NORTH FOND DU LAC FIRE DEPARTMENT NORTH FOND DU LAC, WISCONSIN	CHECKED BY	AZA
DWG NO.	33686AD	SHEET SIZE	SHEET NO.
		D	1 OF 1