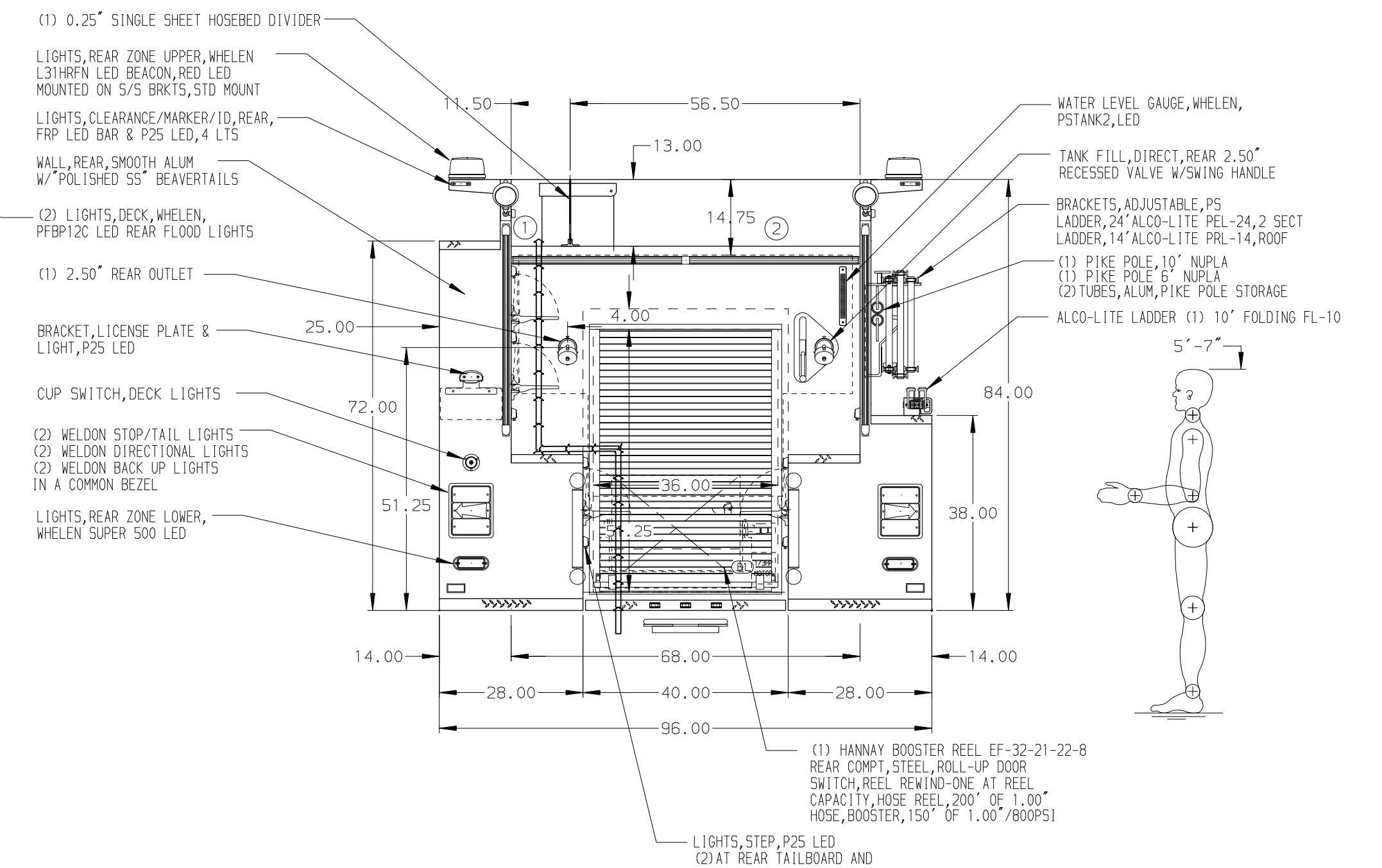
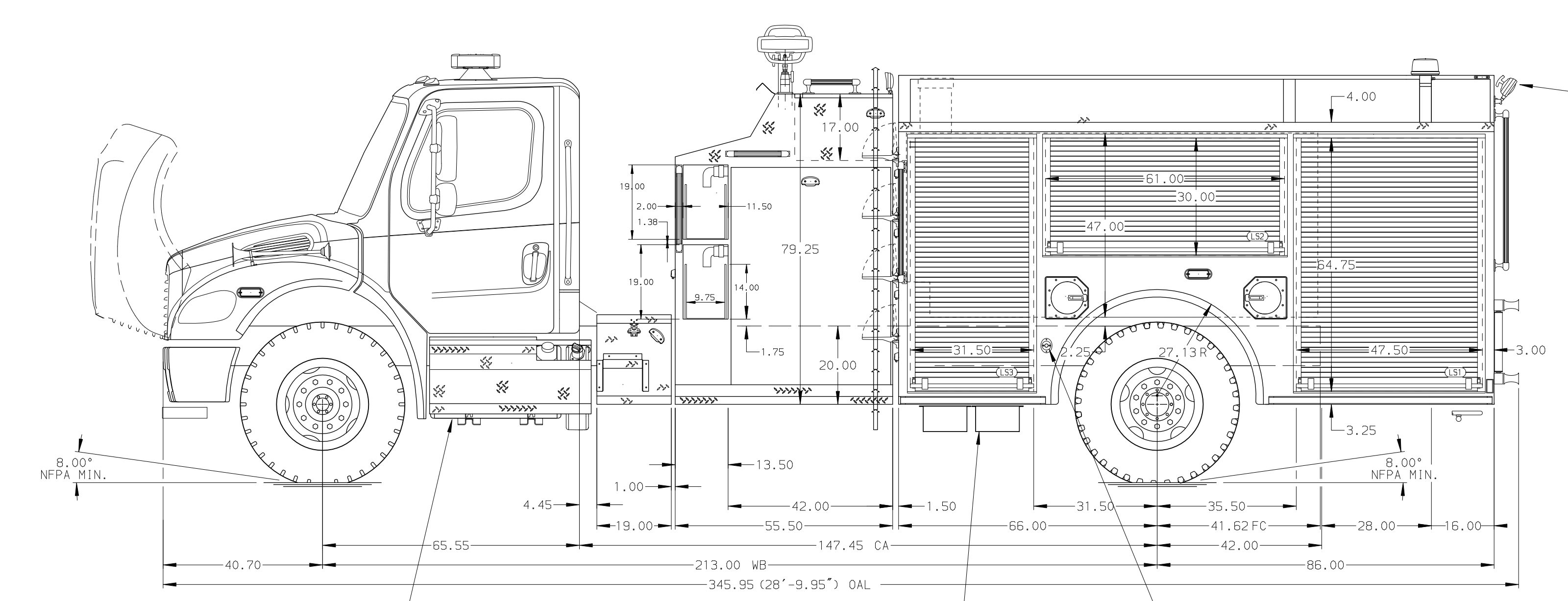


HOSEBED CAPACITIES

① 400' OF 1.50" D.J. POLYESTER HOSE

② 1500' OF 2.50" D.J. POLYESTER HOSE



ALUMINUM BODY

NOTE
DIMENSIONS SHOWN ARE APPROXIMATE AND ARE SUBJECT TO MINOR DEVIATIONS AS MAY OCCUR OR BE NECESSARY IN CONSTRUCTION. MINOR DETAILS NOT SHOWN.

		JOB NO.	33746
		SCALE	DATE
TITLE 1250-D-1000 POLY, 152" BDY, DS FULL HGT, PS LOW 42" TOP MOUNT, W/19" WALKWAY, (2) 1.5" SPEEDLAYS W/PTRAYS FOR EMERGENCY EQUIPMENT PROFESSIONALS, INC. DEMO UNIT HORN LAKE, MISSISSIPPI		DRAWN BY	JLA 18JUN19
		CHECKED BY	RWI 19JUN19
DWG NO. 33746AD		SHEET SIZE	SHEET NO.
		D	1 OF 1

REV	DATE	BY	CH	M2-106
09SEP19	JLA	GSC	MAKE	
27AUG19	JLA	GSC	FL	
28JUN19	CRH	RWI	MODEL	