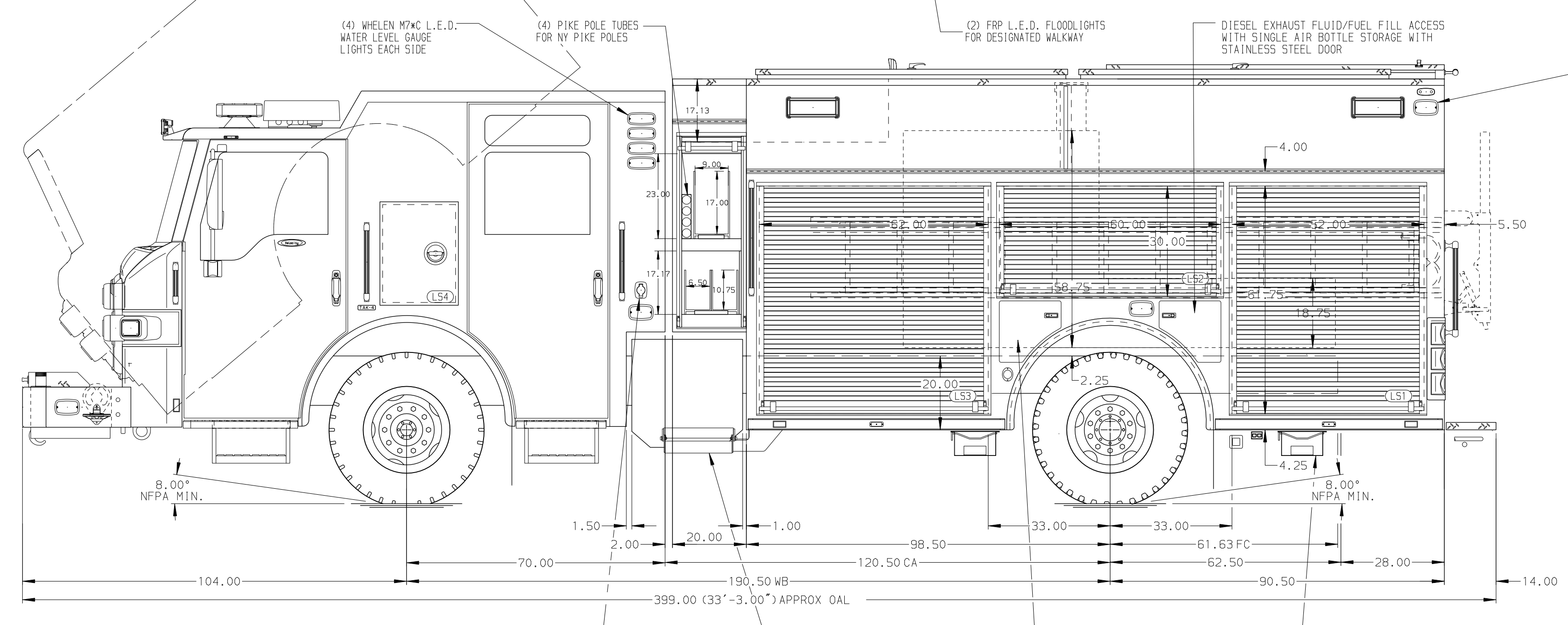


- HOSEBED CAPACITIES
- ① 500' OF 4.00" HOSE
 - ② 500' OF 4.00" HOSE
 - ③ 800' OF 2.50" HOSE
 - ④ 300' OF 1.75" HOSE



ALUMINUM BODY

NOTE
DIMENSIONS SHOWN ARE APPROXIMATE AND ARE SUBJECT TO MINOR DEVIATIONS AS MAY OCCUR OR BE NECESSARY IN CONSTRUCTION. MINOR DETAILS NOT SHOWN.

1. BATTERY CHARGER LOCATED IN COMPARTMENT HIGH ON LEFT WALL OF COMPARTMENT LS3
2. BATTERY CHARGE INDICATOR LOCATED NEAR DRIVER'S SEAT RISER WITH BRACKET
3. DUAL L.E.D. LIGHT STRIPS LOCATED IN HOSE BED
4. ONE FULL WIDTH/DEPTH ADJUSTABLE SHELF IN COMPARTMENT RS1; TWO IN LS1 AND LS3
5. ONE ADJUSTABLE SLIDE-OUT SHELF IN COMPARTMENT RS1; TWO IN RS3
6. ONE ADJUSTABLE TILT/SLIDE-OUT FULL WIDTH/DEPTH TRAY IN COMPARTMENTS RS2 AND RS3
7. ONE FLOOR MOUNTED SLIDE-OUT TRAY IN COMPARTMENTS LS1, RS1, AND RS3
8. ONE SWING-OUT ALUMINUM TOOL BOARD IN COMPARTMENT LS2
9. ALUMINUM SLIDE-OUT TOOLBOARD IN COMPARTMENT RS3
10. CTECH DRAWER ASSEMBLY IN COMPARTMENT LS3
11. STORAGE RACK FOR (6) AIR BOTTLES LOCATED IN COMPARTMENT LS1
12. (2) ADDITIONAL POLY TRAYS TO HOLD 200' OF 1.75" HOSE TO BE SHIPPED LOOSE
13. CIRCUIT BREAKER PANEL IN COMPARTMENT LS3
14. ONE HANNAY ELECTRIC REWIND CORD REEL MODEL 1618-17-18 LOCATED IN HATCH COMPARTMENT RH1
15. (1) 120V DUPLEX RECEPTACLE LOCATED IN COMPARTMENTS LS1, RS1, AND RS3; TWO IN LS3
16. AUTOMATIC RUD TIRE CHAINS, 6 STRAND
17. SWING-OUT TOOL BOARD HINGED TO REAR WALL PEGBOARD IN COMPARTMENT LS2
18. HANTREX PROSINE 606-1802 INVERTER IN COMPARTMENT LS3

REV	DATE	BY	CH	VELOCITY
24JUN19	KLE	PJP		CHASSIS DATA
21MAY19	KLE	PJP		MAKE
24APR19	KLE	NPE		PIERCE
				MODEL

		JOB NO.	33754
		SCALE	1:24
TITLE	1500-D-650G TANK, 189" RESCUE BODY, (3) CROSSLAYS LADDERS THRU BODY (DS), (2) 21" HATCHES, GENERATOR	DRAWN BY	KLE
FOR	LEMAY FIRE PROTECTION DISTRICT ST. LOUIS, MISSOURI	CHECKED BY	NPE
DWG NO.	33754AD	SHEET SIZE	D
		SHEET NO.	1 OF 1