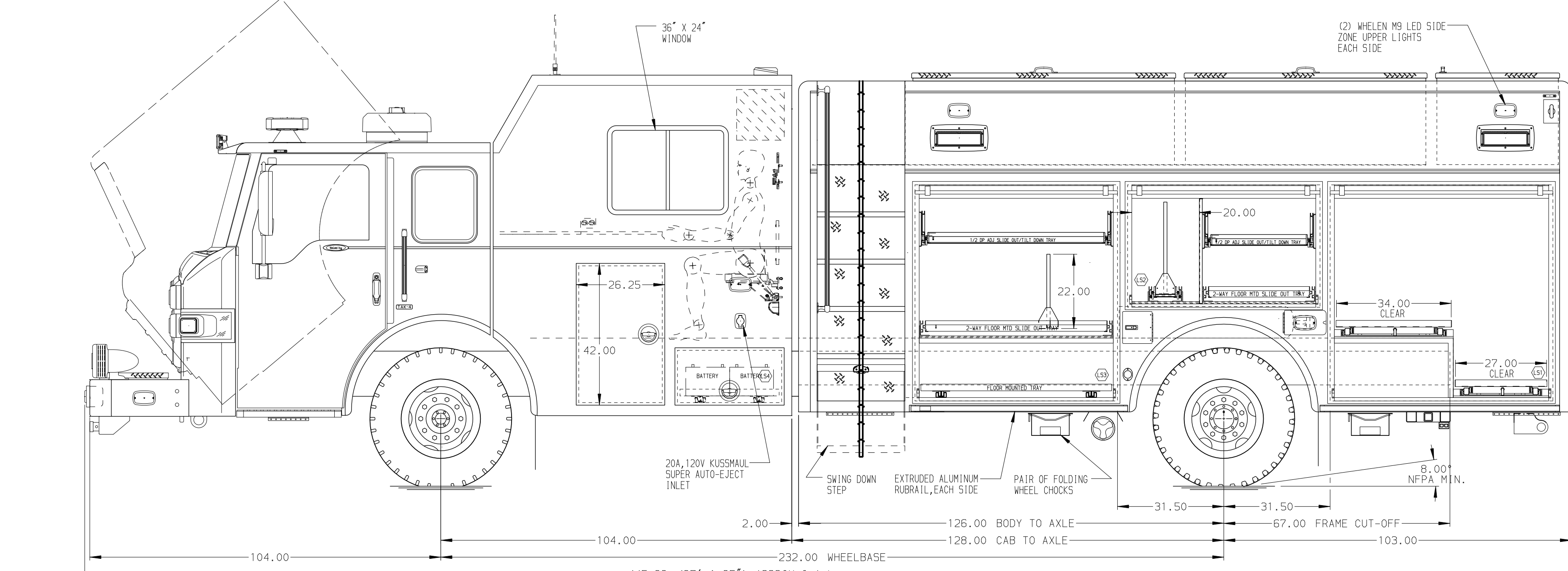
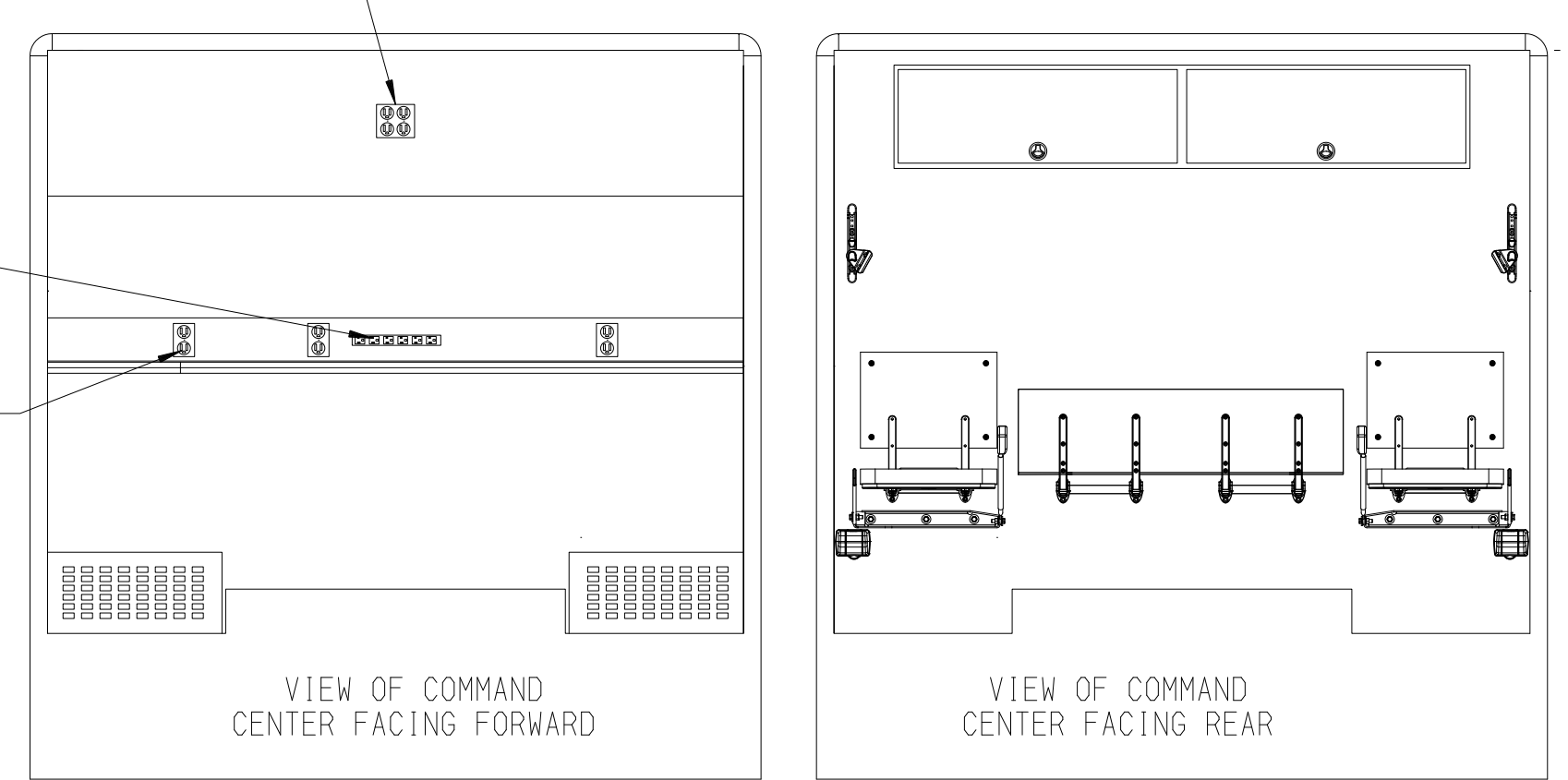
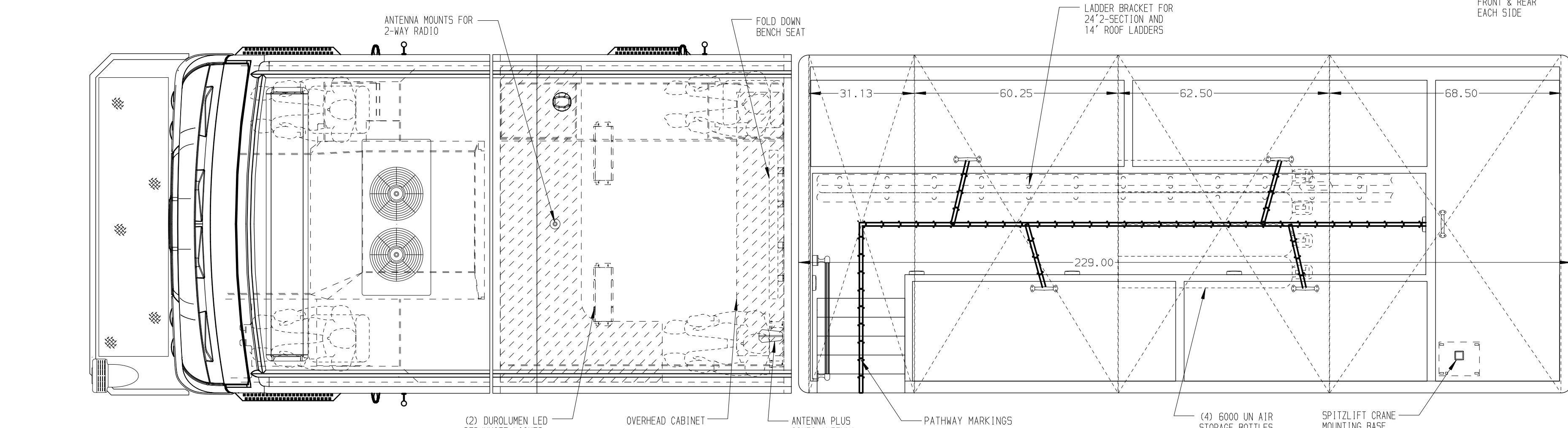
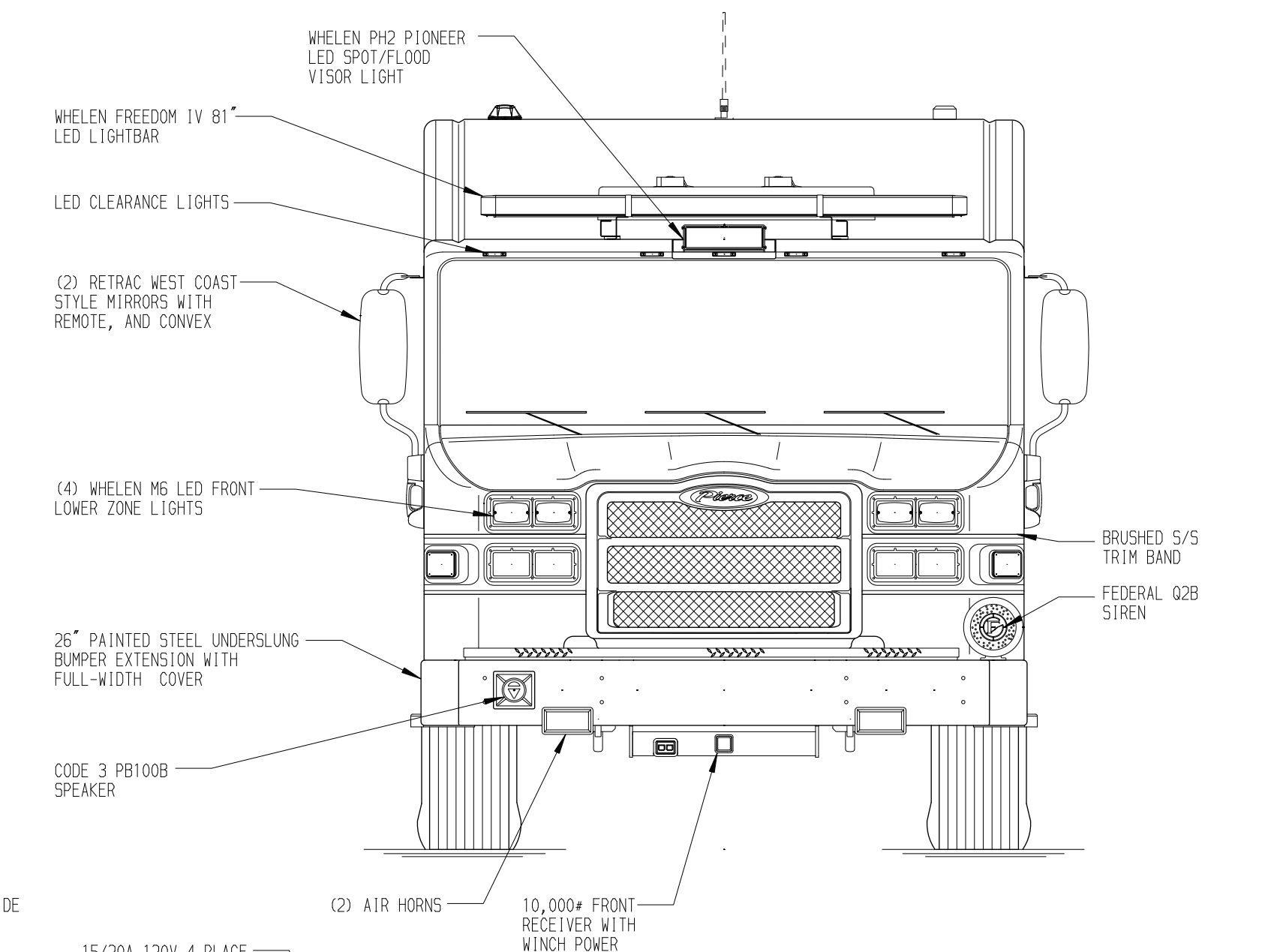
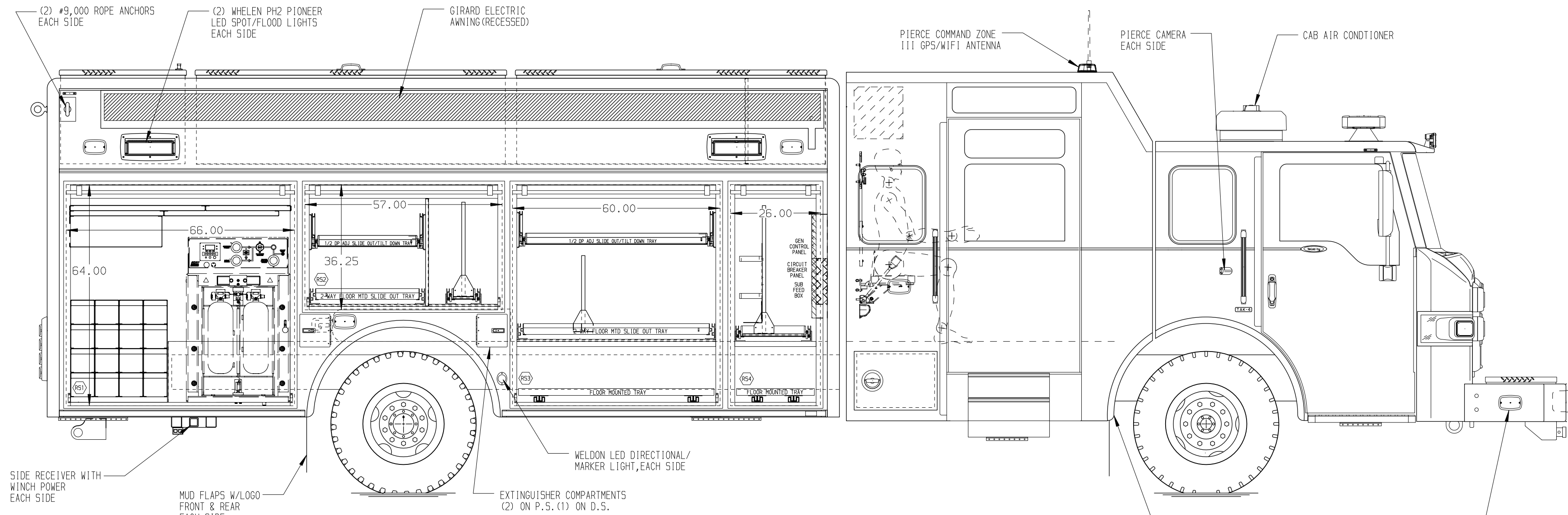
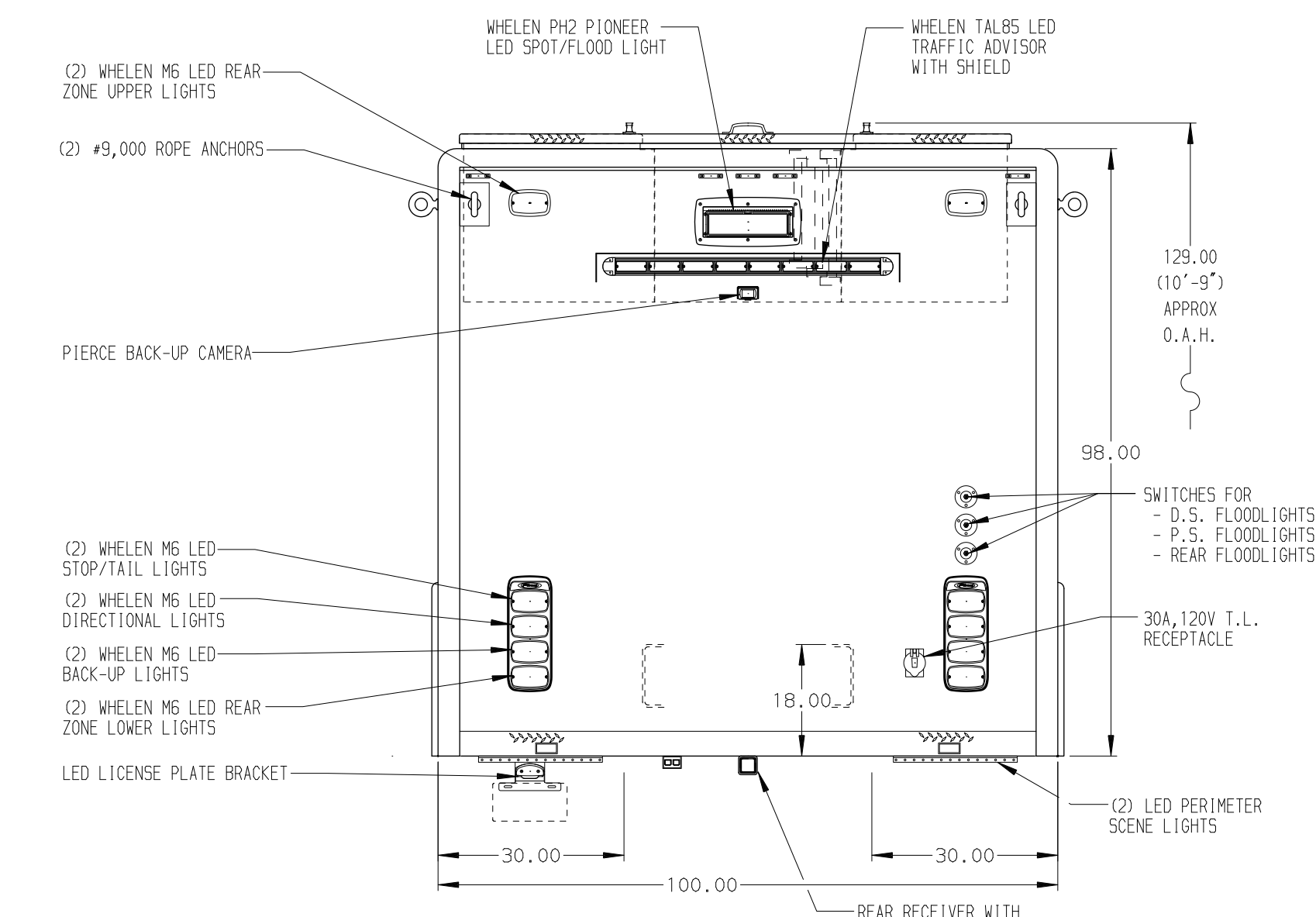


**RIGHT SIDE COMPARTMENTS CONTAIN THE FOLLOWING:**

- COMPARTMENT RS1 CONTAINS:**  
 - (1) RACK FOR 5 AIR BAGS  
 - (1) RACK FOR 16 SCBA BOTTLES  
 - REINFORCEMENT, CUT-OUT, RUBBER BLATTER AND RING FOR CUSTOMER INSTALLED REVOLVE AIR FILL ENCLOSURE
- COMPARTMENT RS2 CONTAINS:**  
 - (1) 1/2 DEPTH ADJ SLIDE OUT/TILT TRAY  
 - (1) 2-WAY FLOOR MTD SLIDE OUT TRAY  
 - (1) 1/2 DEPTH ADJ SLIDE OUT TOOLBOARD  
 - (1) 15A, 120V 6-PLACE RECEPTACLE
- COMPARTMENT RS3 CONTAINS:**  
 - (1) HORIZONTAL FLOOR EXTENSION  
 - (1) 1/2 DEPTH ADJ SLIDE OUT/TILT TRAY  
 - (1) 2-WAY FLOOR MTD SLIDE OUT TRAY WITH TOOLBOARD  
 - (1) FLOOR MOUNTED TRAY
- COMPARTMENT RS4 CONTAINS:**  
 - (1) HORIZONTAL FLOOR EXTENSION  
 - (1) FLOOR MOUNTED TRAY  
 - (1) 3/4 DEPTH FLOOR MOUNTED SLIDE OUT TRAY WITH TOOLBOARD  
 - (5) 21CO AIR BOTTLE HOLDERS ON TOOLBOARD  
 - (1) CIRCUIT BREAKER PANEL  
 - (1) GENERATOR METER PANEL  
 - (2) SUB FEED BOXES



- LEFT SIDE COMPARTMENTS CONTAIN THE FOLLOWING:**
- COMPARTMENT LS1 CONTAINS:**  
 - (2) 3/4 DEPTH SLIDEMASTER TRAYS (120% EXT)  
 - (1) L-SHAPED FLOOR EXTENSION
- COMPARTMENT LS2 CONTAINS:**  
 - (1) 1/2 DEPTH ADJ SLIDE OUT/TILT TRAY  
 - (1) 2-WAY FLOOR MTD SLIDE OUT TRAY  
 - (1) VERTICAL COMPARTMENT DIVIDER  
 - (1) 1/2 DEPTH ADJ SLIDE OUT TOOLBOARD
- COMPARTMENT LS3 CONTAINS:**  
 - (1) HORIZONTAL FLOOR EXTENSION  
 - (1) 1/2 DEPTH ADJ SLIDE OUT/TILT TRAY  
 - (1) 2-WAY FLOOR MTD SLIDE OUT TRAY WITH TOOLBOARD  
 - (1) FLOOR MOUNTED TRAY
- COMPARTMENT LS4 CONTAINS:**  
 - (1) FLOOR MOUNTED TRAY  
 - CHASSIS BATTERIES



**NOTE**  
 DIMENSIONS SHOWN ARE APPROXIMATE AND ARE SUBJECT TO MINOR DEVIATIONS AS MAY OCCUR OR BE NECESSARY IN CONSTRUCTION. MINOR DETAILS NOT SHOWN.

- NOTES:**
- AIR INLET WITH DISCONNECT COUPLING LOCATED IN THE DRIVER'S SIDE STEP WELL OF THE CAB
  - POLISHED S/S SCUFFPLATES ON CAB AND CREW CAB DOOR JAMBS
  - FLOOR IN CAB AND COMMAND CAB TO BE PADDED RUBBER
  - DAVID CLARK 4-POSITION INTERCOM SYSTEM
  - SPITZLIFT PORTABLE CRANE IN REAR TRANSVERSE HATCH COMPARTMENT ON THE PASSENGER'S SIDE
  - S/S L-SHAPED GUARDS OVER ALL BODY ROLL-UP DOORS
  - LED LIGHT STRIPS IN ALL BODY AND HATCH COMPARTMENTS
  - ONAN 15kW SINGLE PHASE PTO DRIVEN GENERATOR LOCATED BETWEEN THE FRAME RAILS
  - 15/20A, 120V 4-PLACE RECEPTACLE LOCATED IN THE PASSENGER'S SIDE FORWARD HATCH COMPARTMENTS
  - (4) MOUNTING PROVISIONS FOR DISPLAY MONITORS IN COMMAND CAB (3) ON FORWARD SLANTED SECTION AND (1) ON THE D.S. IN FRONT OF THE WINDOW

CLEAR DOOR WIDTH KEY		REV	DATE	BY	CH
AMDR ROLL UP DOORS:	-1 7/8"	04FEB20	DHE	CDK	CHASSIS DATA
CURTAIN ROLL UP DOORS:	-2 3/4"	22OCT19	DHE	CDK	MAKE
PIERCE DOUBLE LAP DOORS:	-4 1/4"	23AUG19	DHE	CDK	PIERCE
PIERCE LIFT-UP LAP DOORS:	-1 1/2"	16AUG19	DHE	CDK	MODEL
(EX: 60" F-F - 1 7/8" = 58 1/8" CLEAR)		28MAY19	DHE	AZU	NO.
(F-F) = FRAME TO FRAME					VXFR10420

		JOB NO.	33757
		SCALE	DATE
TITLE HEAVY DUTY RESCUE NON-WALKIN		DRAWN BY	DHE 06MAY19
FOR CITY OF INVER GROVE HEIGHTS INVER GROVE HEIGHTS, MN		CHECKED BY	AZU 07MAY19
DWG NO. 33757AD		SHEET SIZE	SHEET NO. D 1 OF 1