

RIGHT SIDE COMPARTMENTS CONTAIN THE FOLLOWING:

COMPARTMENT RS1 CONTAINS:

- (1) VERTICAL COMPARTMENT DIVIDER
- (1) 2-WAY FLOOR MOUNTED SLIDE OUT TRAY
- (1) TWO WAY ADJ SLIDE OUT TRAY WITH TOOLBOARD
- (1) ELECTRIC CORD REEL WITH 200' OF 10/3 BLACK CORD
- (1) TOOL AIR REEL WITH 150' OF HOSE
- (1) TOOL AIR REGULATOR
- (1) SCBA BRACKET

COMPARTMENT RS2 CONTAINS:

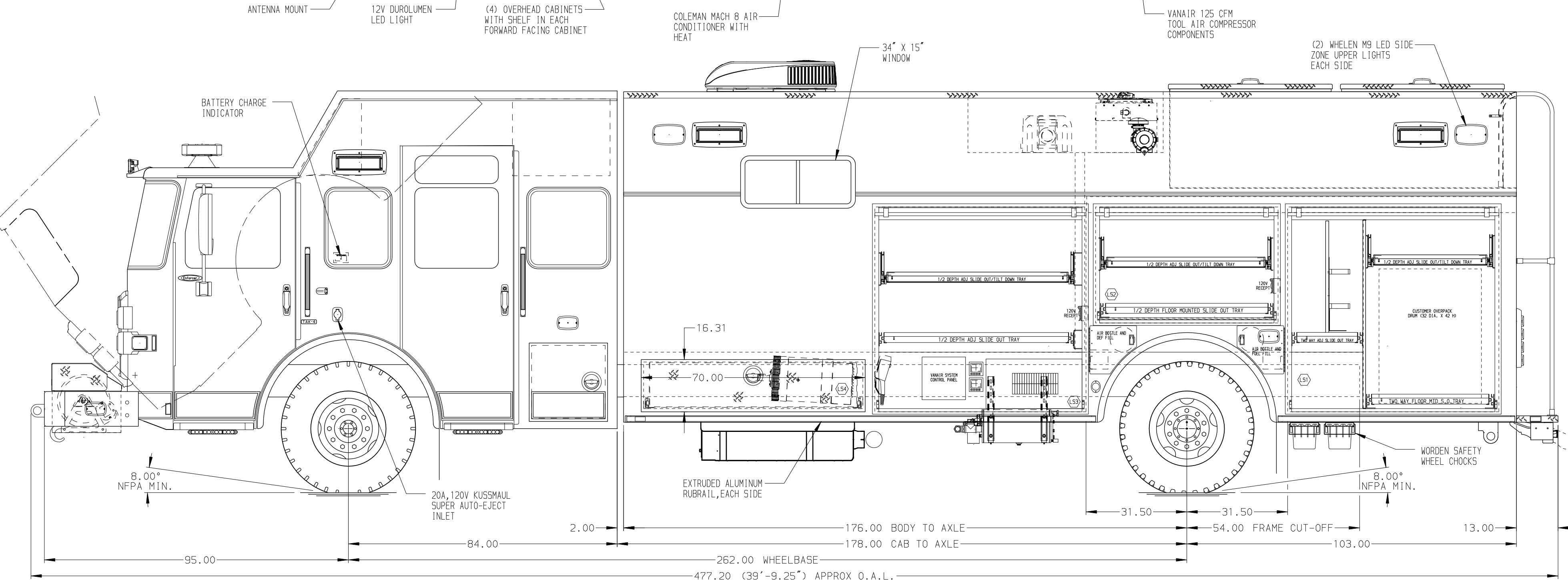
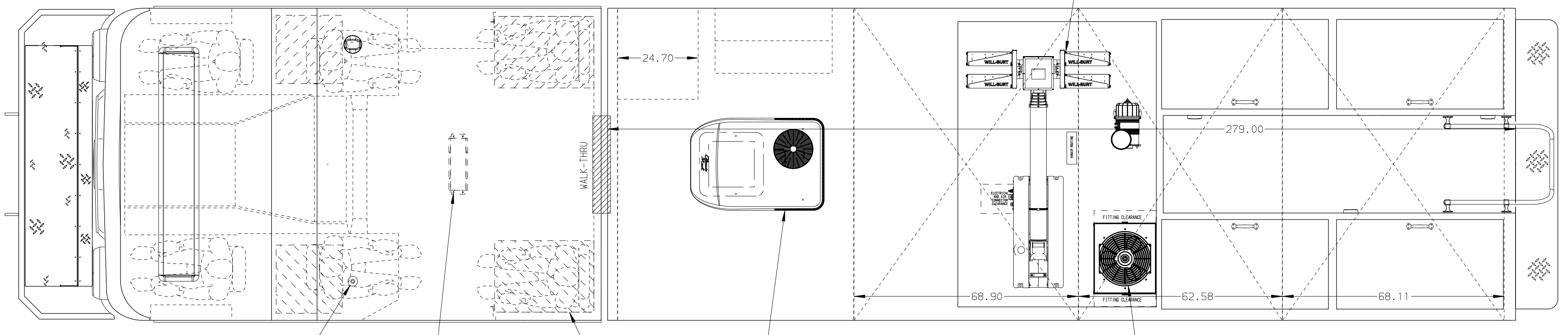
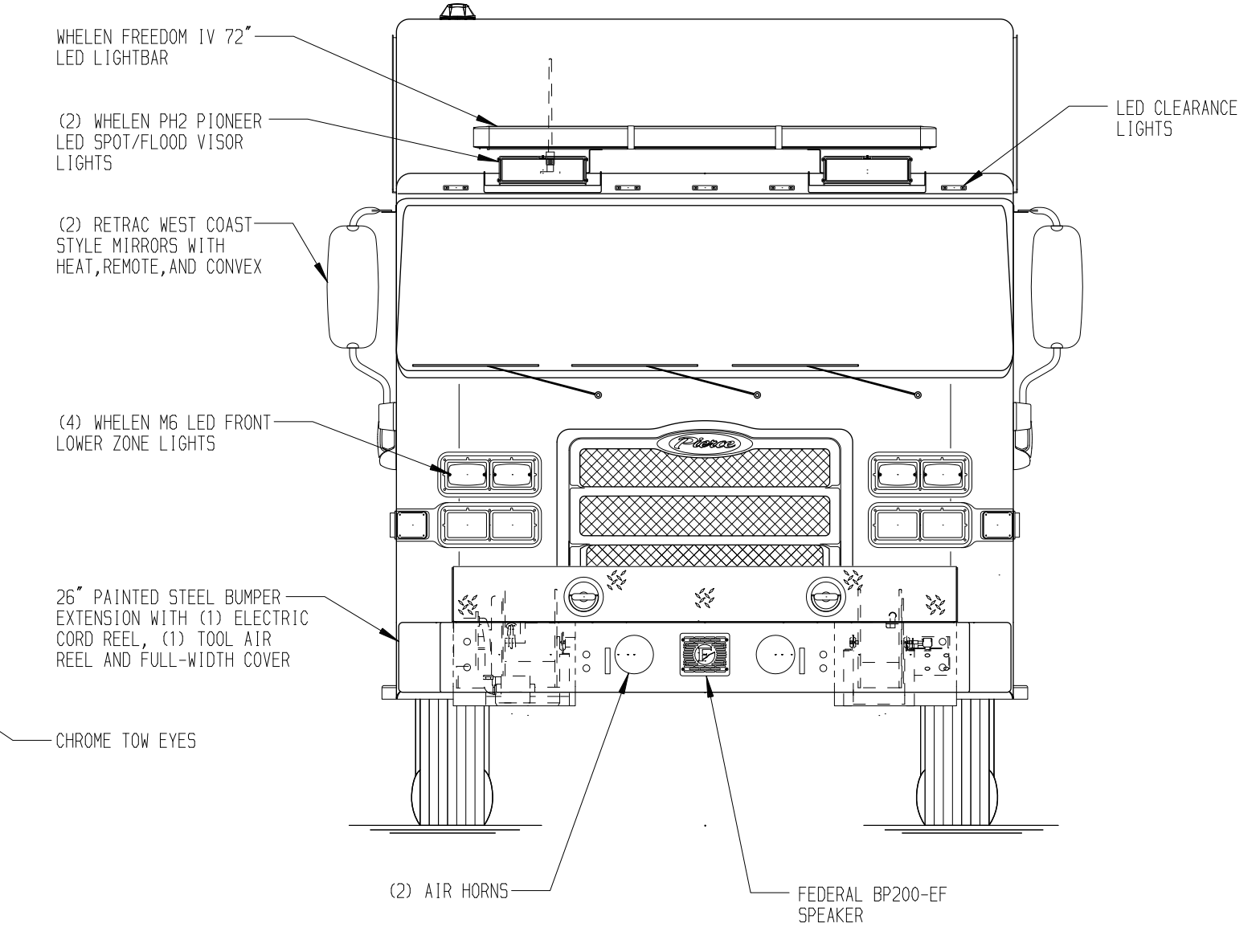
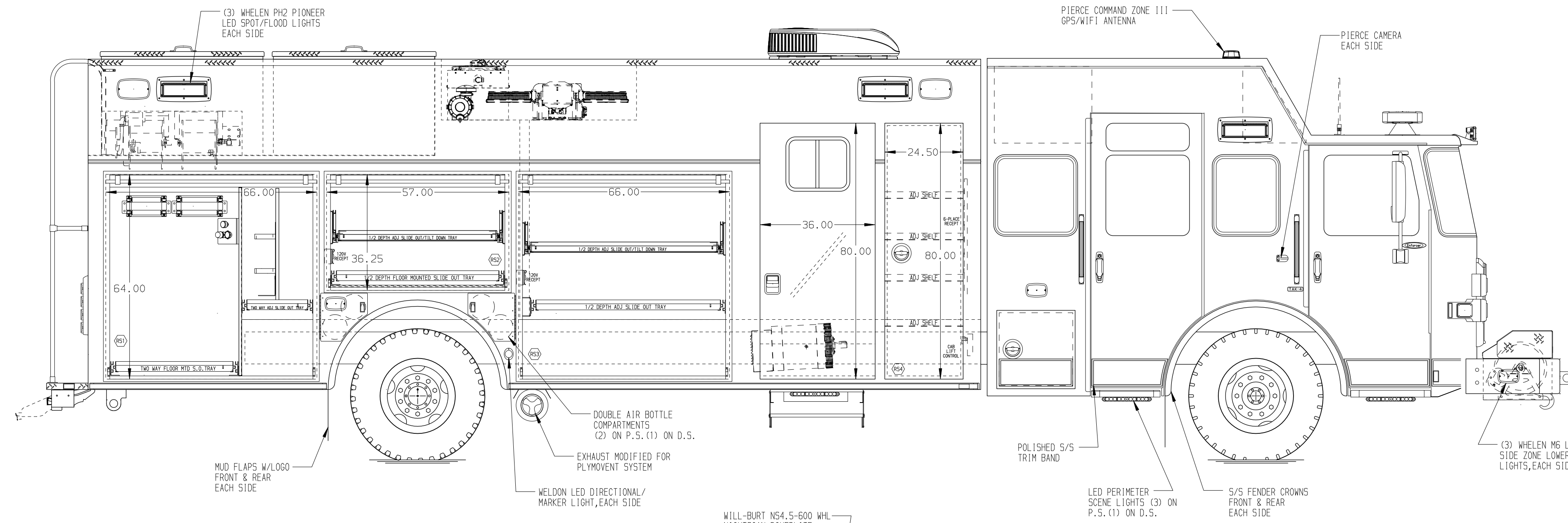
- (1) 1/2 DEPTH ADJ SLIDE OUT/TILT TRAY
- (1) 1/2 DEPTH FLOOR MTD SLIDE OUT TRAY
- (1) 15/20A, 120V DUPLEX RECEPTACLE

COMPARTMENT RS3 CONTAINS:

- (1) 1/2 DEPTH ADJ SLIDE OUT/TILT TRAY
- (1) 1/2 DEPTH ADJ SLIDE OUT TRAY
- (1) 15/20A, 120V DUPLEX RECEPTACLE

COMPARTMENT RS4 CONTAINS:

- (1) CAB LIFT CONTROLLER
- (4) STD DEPTH ADJ SHELVES
- (1) 20A, 120V 6-PLACE RECEPTACLE



LEFT SIDE COMPARTMENTS CONTAIN THE FOLLOWING:

COMPARTMENT LS1 CONTAINS:

- (1) 1/2 DEPTH ADJ SLIDE OUT/TILT TRAY
- (1) VERTICAL COMPARTMENT DIVIDER
- (1) 2-WAY FLOOR MOUNTED SLIDE OUT TRAY
- (4) Z100 SCBA BRACKET
- (1) TWO WAY ADJ SLIDE OUT TRAY WITH TOOLBOARD

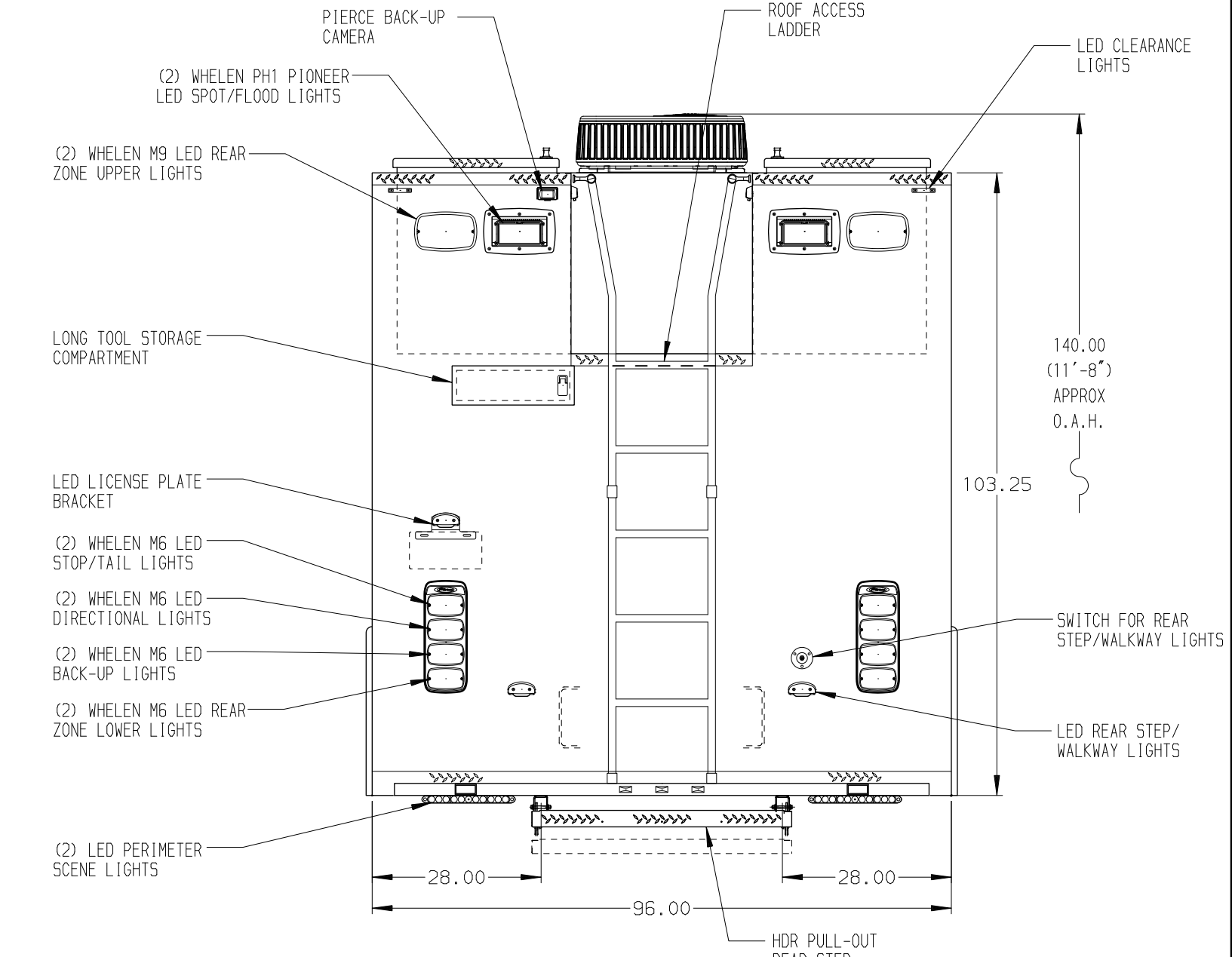
COMPARTMENT LS2 CONTAINS:

- (1) 1/2 DEPTH ADJ SLIDE OUT/TILT TRAY
- (1) 1/2 DEPTH FLOOR MTD SLIDE OUT TRAY
- (1) 15/20A, 120V DUPLEX RECEPTACLE

COMPARTMENT LS3 CONTAINS:

- (1) 1/2 DEPTH ADJ SLIDE OUT/TILT TRAY
- (1) 1/2 DEPTH ADJ SLIDE OUT TRAY
- (1) CIRCUIT BREAKER PANEL
- (1) GENERATOR METER PANEL
- (1) NIGHT SCAN CONTROLLER
- (1) 15/20A, 120V DUPLEX RECEPTACLE
- (1) VAN AIR SYSTEM CONTROL PANEL
- (1) KUSSMAUL AIR COMPRESSOR

COMPARTMENT LS4 CONTAINS:



NOTE: DIMENSIONS SHOWN ARE APPROXIMATE AND ARE SUBJECT TO MINOR DEVIATIONS AS MAY OCCUR OR BE NECESSARY IN CONSTRUCTION. MINOR DETAILS NOT SHOWN.

- NOTES:
1. ONAN 15KW SINGLE PHASE PTO DRIVEN GENERATOR LOCATED BETWEEN THE FRAME RAILS
 2. AIR INLET WITH DISCONNECT COUPLING RECESSED IN THE LOWER DRIVER'S SIDE STEP WELL OF CAB
 3. FLOOR IN CAB AND CREW CAB TO BE PADDED RUBBER
 4. KUSSMAUL 1200 CHARGER LOCATED BEHIND THE DRIVER'S SEAT
 5. PULL STRAPS IN ALL BODY ROLL-UP DOORS
 6. PIERCE LED STRIP LIGHTS IN ALL BODY AND HATCH COMPARTMENTS
 7. DRI-DECK MATTING ON ALL SHELVES, TRAYS, AND COMPARTMENT FLOORS

STAINLESS STEEL BODY
FRONTAL IMPACT PROTECTION

CLEAR DOOR WIDTH KEY		REV	DATE	BY	CH	CHASSIS DATA
AMDR ROLL UP DOORS	-2 1/4"	140CT19	ALZ	AZU	MAKE	TITLE
CORTITE ROLL UP DOORS	-2 1/2"	13SEP19	DHE	AZU	MAKE	FOR
PIERCE DOUBLE LAP DOORS	-4 1/4"	23JUL19	ALZ	AZU	PIERCE	DWG NO.
PIERCE LIFT-UP LAP DOORS	-1 1/2"	05JUN19	DHE	AZU	MODEL	NO.
(EX: 60" F-F - 2 1/4" = 57 3/4" CLEAR)						
(F-F) = FRAME TO FRAME						

Pierce MANUFACTURING INC.		JOB NO.	33782
SCALE	1:24	DATE	
DRAWN BY	DHE	07MAY19	
CHECKED BY	AZU	10MAY19	
SHEET SIZE	D	SHEET NO.	1 OF 1

HEAVY DUTY RESCUE WALKIN/NON-WALKIN COMBO
REGIONAL V HAZ MAT RESPONSE COMMISSION
FORT DODGE, IA
ERIC FIBIKAR

DWG NO. 33782AD-SH1