

Pumper, PUC

BODY

Pumper, PUC, Aluminum

CHASSIS

Enforcer Chassis, PUC

CHASSIS

AXLE, FRONT, CUSTOM

19,500 Lb TAK-4 Axle

AXLE, REAR

27,000 Lb Dana Axle

ENGINE

505 HP DD13 Engine

TRANSMISSION

Allison 5th Gen, 4000 EVS P

BUMPER

19" Extended Stainless Steel

CAB

7010 Enforcer Cab, PUC

BODY

WATER TANK

500 Gallon Poly Water Tank

COMPT, PUMPER, REAR

33.50" FF RollUp Rear Compt w/Tailboard, PUC

COMPT, PUMPER, LEFT SIDE

189" RollUp Full Height & Depth Front & Rear, PUC

COMPT, PUMPER, RIGHT SIDE

189" RollUp Full Height & Depth Front & Rear, PUC

FIRE SUPPRESSION

PUMPHOUSE

Control Zone, PUC

PUMP

1500 GPM Pierce PUC

CROSSLAYS, 1.50"

(3) 1.50", Poly Trays

CROSSLAYS, 2.50"

(1) 2.50", Poly Tray

GENERATOR

Harrison 6kW MSV Hydraulic Generator

Foam System

Husky 3 Single Agent Foam System

Foam Cell

20 Gallon Foam Cell, Not Reduced Water, PUC

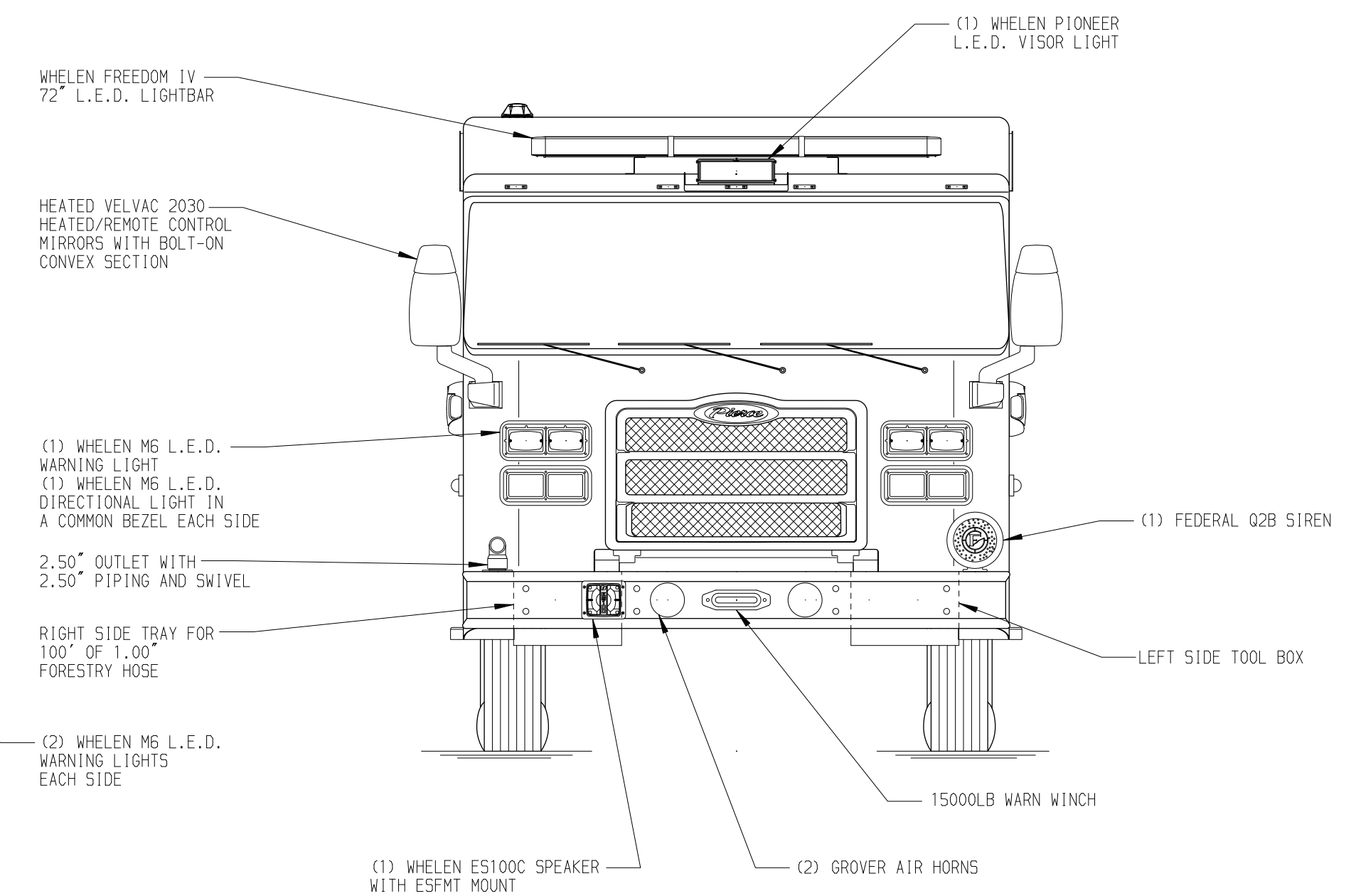
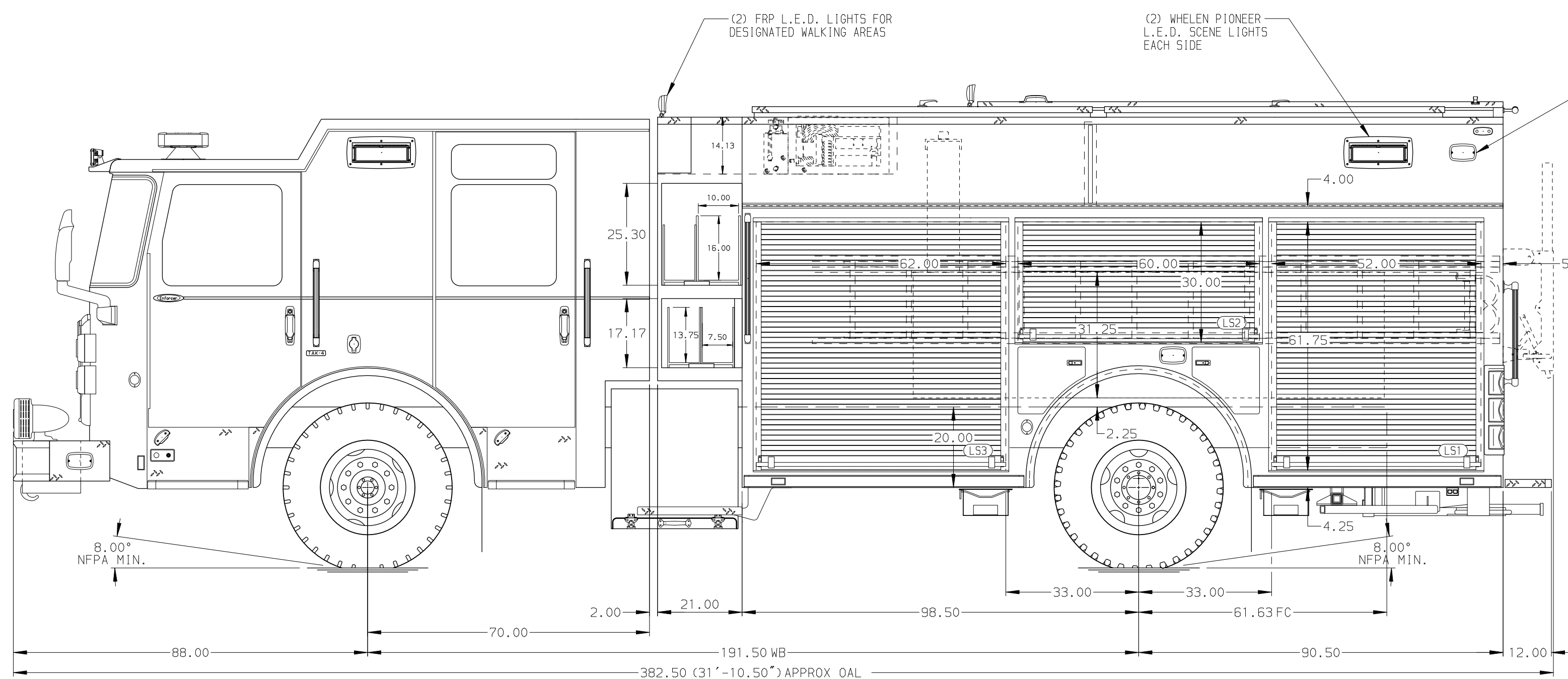
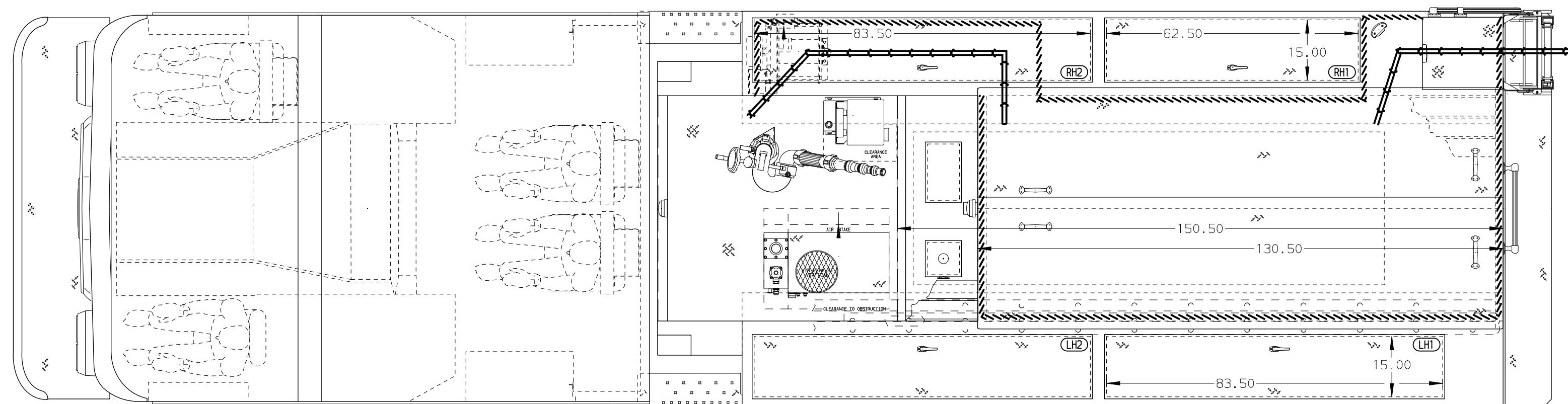
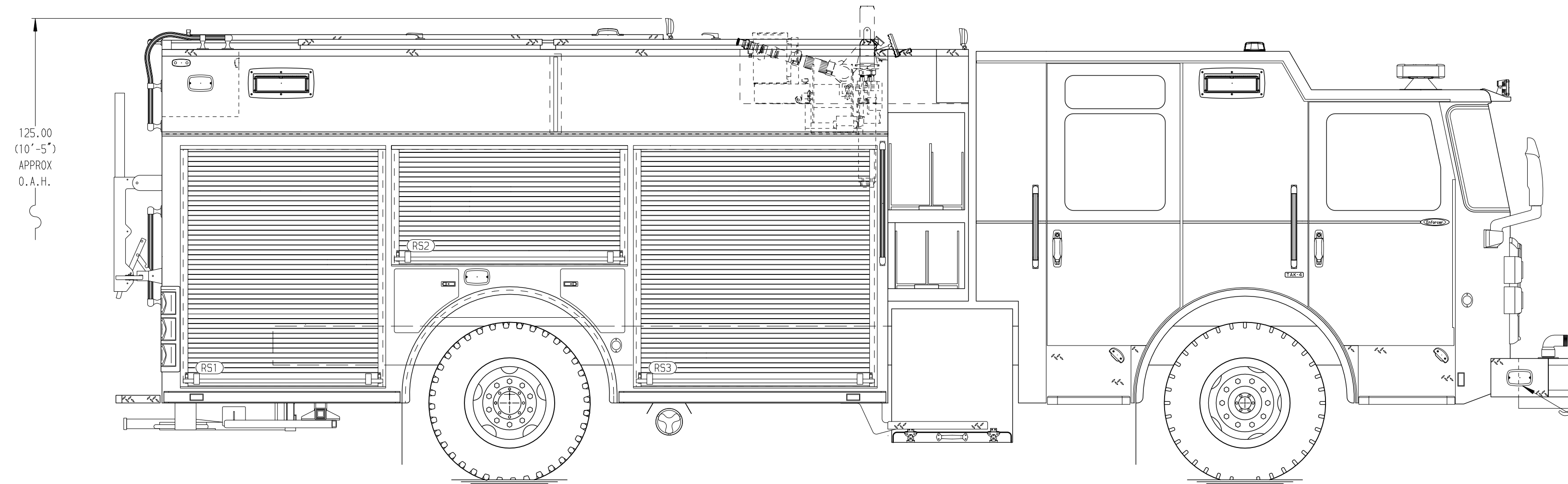
Side Roll and Frontal Impact Protection

NOTE

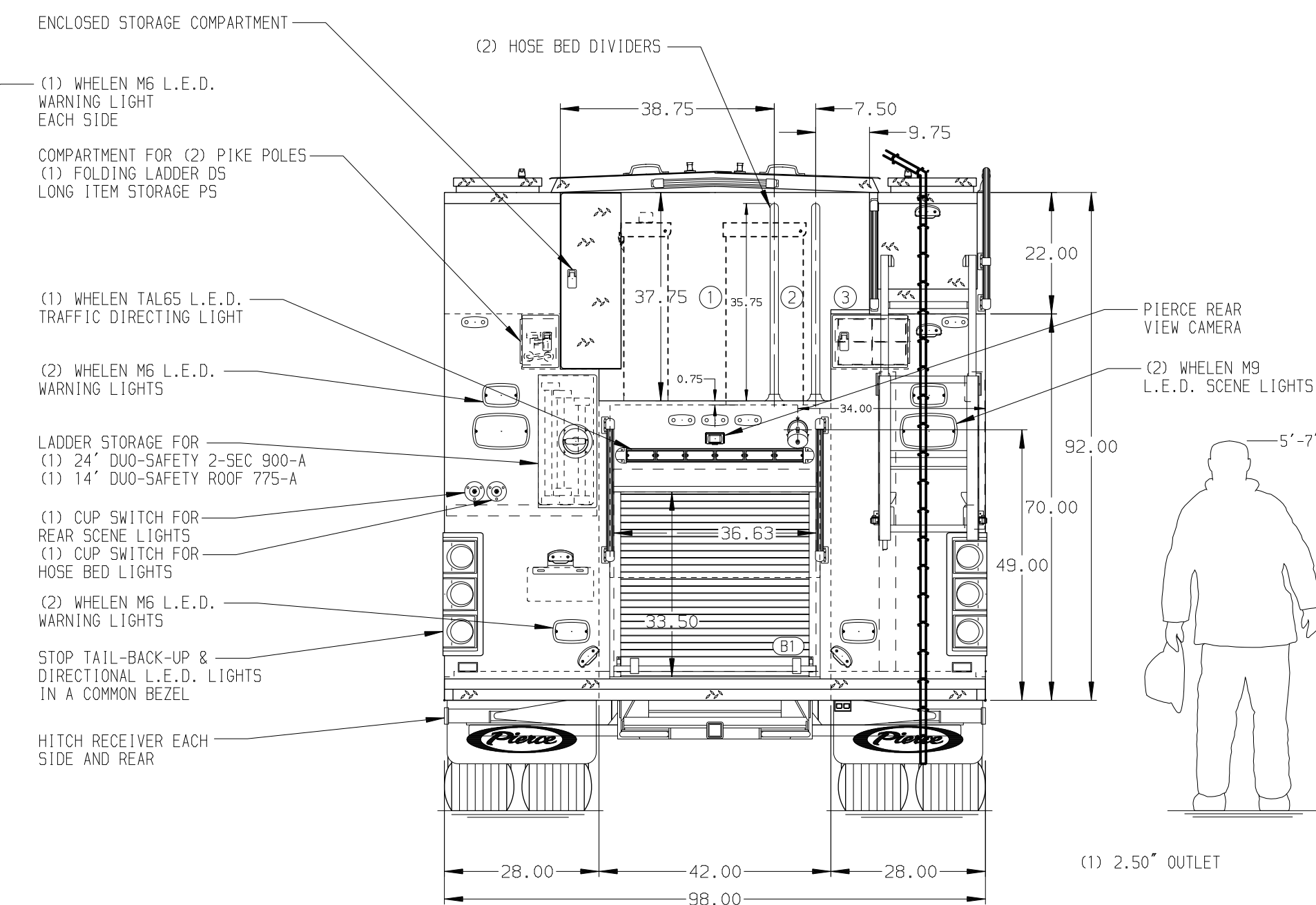
DIMENSIONS SHOWN ARE APPROXIMATE AND ARE SUBJECT TO MINOR DEVIATIONS AS MAY OCCUR OR BE NECESSARY IN CONSTRUCTION. MINOR DETAILS NOT SHOWN.

1. AUTOMATIC TIRE CHAINS
2. SHORELINE RECEPTACLE WITH KUSSMAUL SUPER AUTO-EJECT LOCATED ON DRIVER SIDE OF THE CAB
3. AIR INLET/OUTLET WITH DISCONNECT COUPLING IN THE DRIVER SIDE STEERWELL
4. BATTERY CHARGER LOCATED IN COMPARTMENT PER SHOP ORDER
5. BATTERY CHARGE INDICATOR LOCATED ON THE DRIVER SIDE SEAT RISER
6. SEVEN ADJUSTABLE SHELVES LOCATED PER SHOP ORDER
7. TWO FLOOR MOUNTED SLIDE-OUT TRAYS LOCATED PER SHOP ORDER
8. ONE ADJUSTABLE SLIDE-OUT TRAY LOCATED PER SHOP ORDER
9. TWO TILTING/SLIDE-OUT TRAY LOCATED PER SHOP ORDER
10. TWO SWING-OUT TOOLBOARDS LOCATED PER SHOP ORDER

11. SEALED PARTITIONS BETWEEN COMPARTMENTS LS1/B1 & RS1/B1
12. ONE ADJUSTABLE PARTITION LOCATED PER SHOP ORDER
13. CIRCUIT BREAKER PANEL LOCATED PER SHOP ORDER
14. TWO 120V DUPLEX RECEPTACKES LOCATED PER SHOP ORDER
15. HANNAY CABLE REEL E1618-17-18 WITH 200' OF 10/3 CABLE LOCATED IN RS HATCH COMPARTMENT



HOSEBED CAPACITY	
BED 1	500' OF 5.00" D.J. POLY HOSE
BED 2	300' OF 3.00" D.J. POLY HOSE
BED 3	200' OF 2.50" D.J. POLY HOSE



		JOB NO.	33794
		SCALE	1:24
Pierce MANUFACTURING INC.		TITLE	Pierce PUC Pumper Approval Drawing
		FOR	Billings Fire Department
REV	DATE	BY	CH
19JUN19	COL	KBO	PIERCE
15MAY19	COL	KBO	MODEL
DWG NO.		33794AD	
SHEET SIZE		D	
SHEET NO.		1 OF 1	