

RIGHT SIDE COMPARTMENTS CONTAIN THE FOLLOWING:

COMPARTMENT RS1 CONTAINS:

- (1) ELECTRIC CORD REEL WITH 200' OF 10/3 BLACK CORD
- (1) 2-WAY FLOOR MOUNTED SLIDE OUT TRAY
- (1) RACK FOR 6 AIR BAGS

COMPARTMENT RS2 CONTAINS:

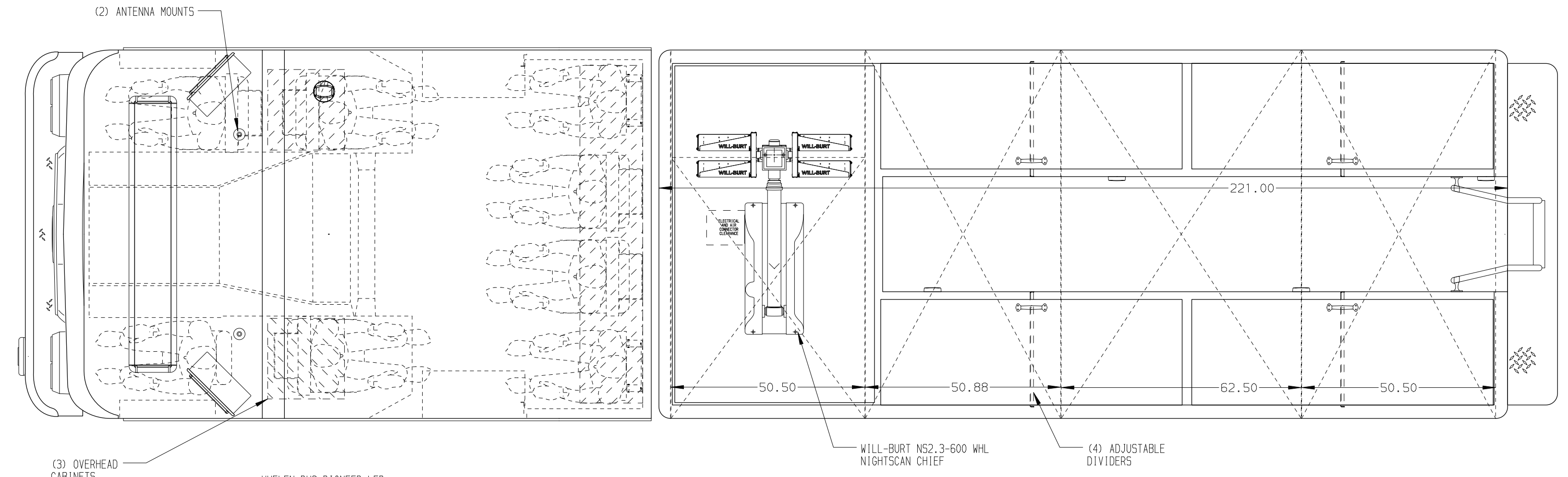
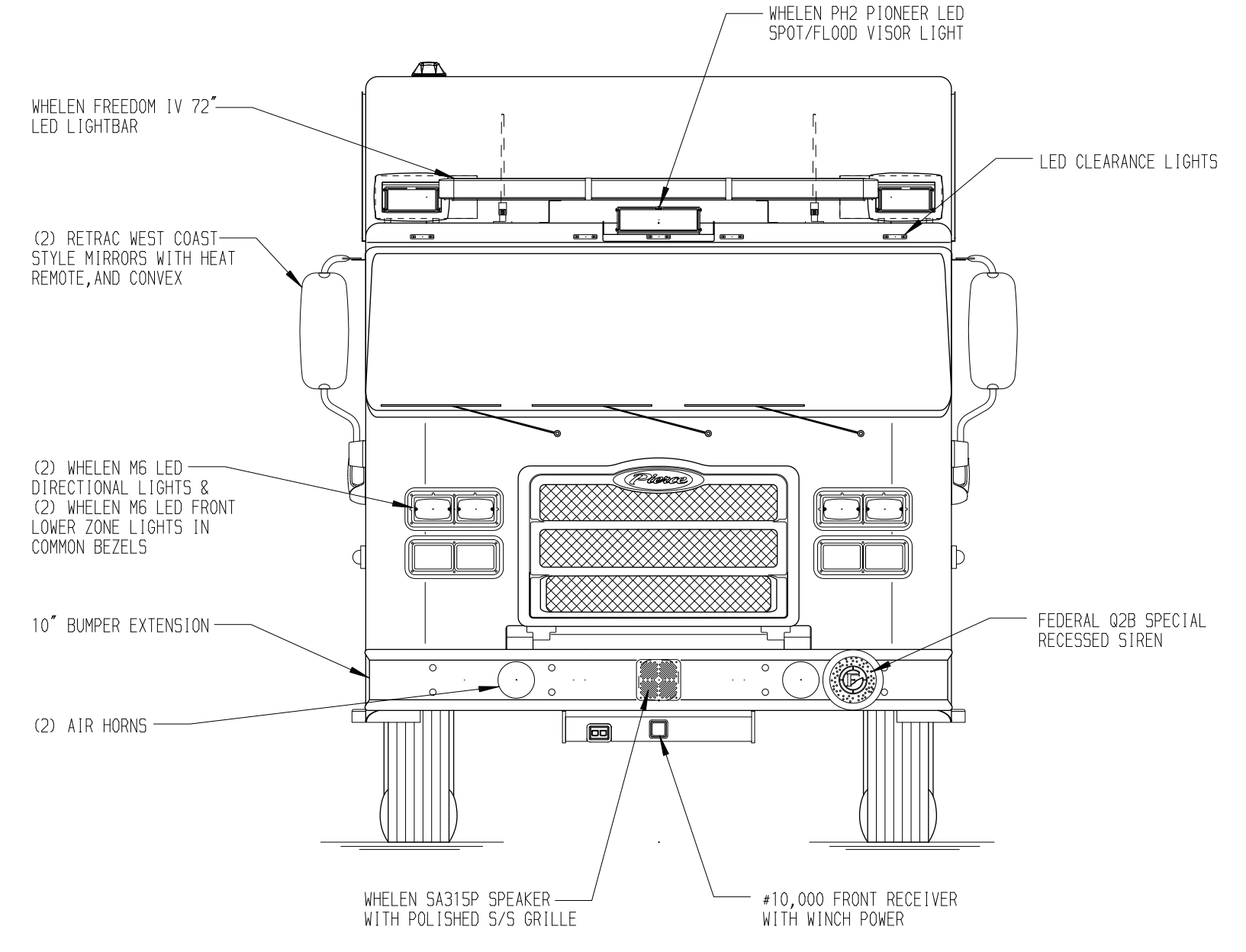
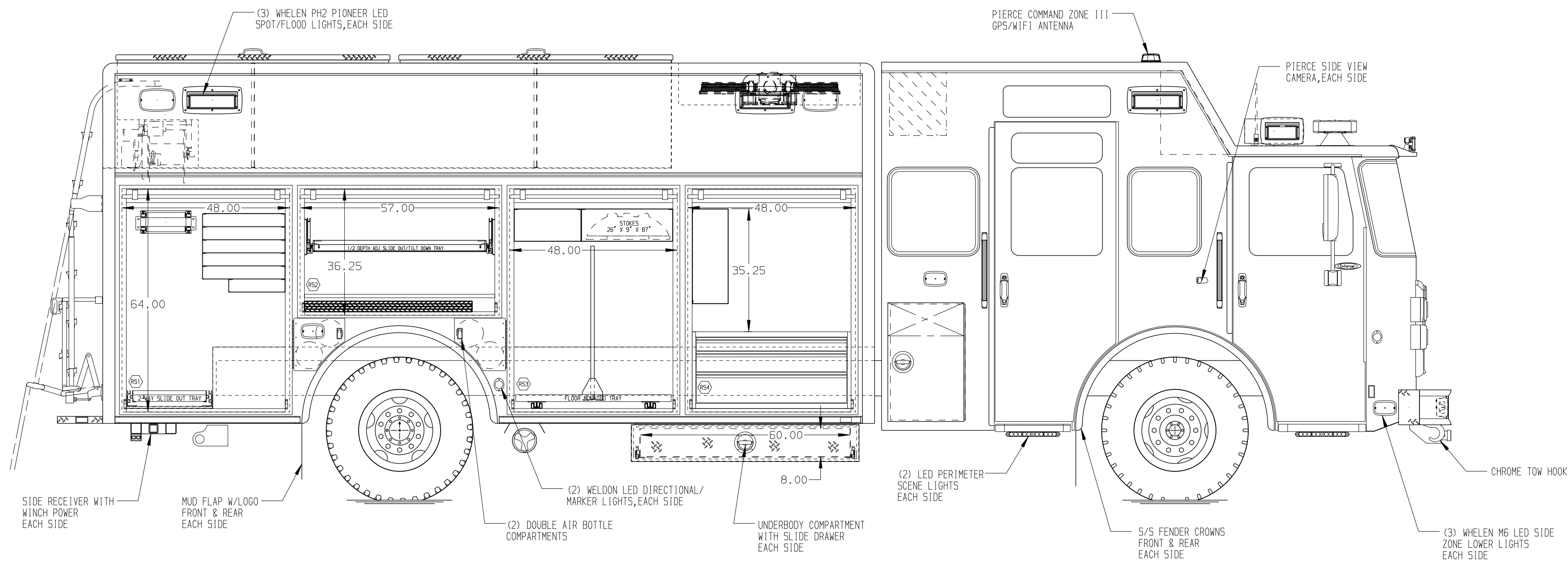
- (1) REINFORCED HORIZONTAL DIVIDER
- (1) RACK FOR PLYWOOD STORAGE
- (1) 1/2 DEPTH ADJ SLIDE OUT/TILT TRAY

COMPARTMENT RS3 CONTAINS:

- (1) STOKES BASKET RACK
- (1) MISC STORAGE RACK
- (1) FLOOR MOUNTED TRAY WITH 1/2 DEPTH "L"-SHAPED TOOLBOARD

COMPARTMENT RS4 CONTAINS:

- (1) REAR WALL COMPARTMENT DIVIDER
- (1) 3-DRAWER C-TECH CABINET



LEFT SIDE COMPARTMENTS CONTAIN THE FOLLOWING:

COMPARTMENT LS1 CONTAINS:

- (1) ELECTRIC CORD REEL WITH 200' OF 10/3 BLACK CORD
- (1) 2-WAY FLOOR MOUNTED SLIDE OUT TRAY

COMPARTMENT LS2 CONTAINS:

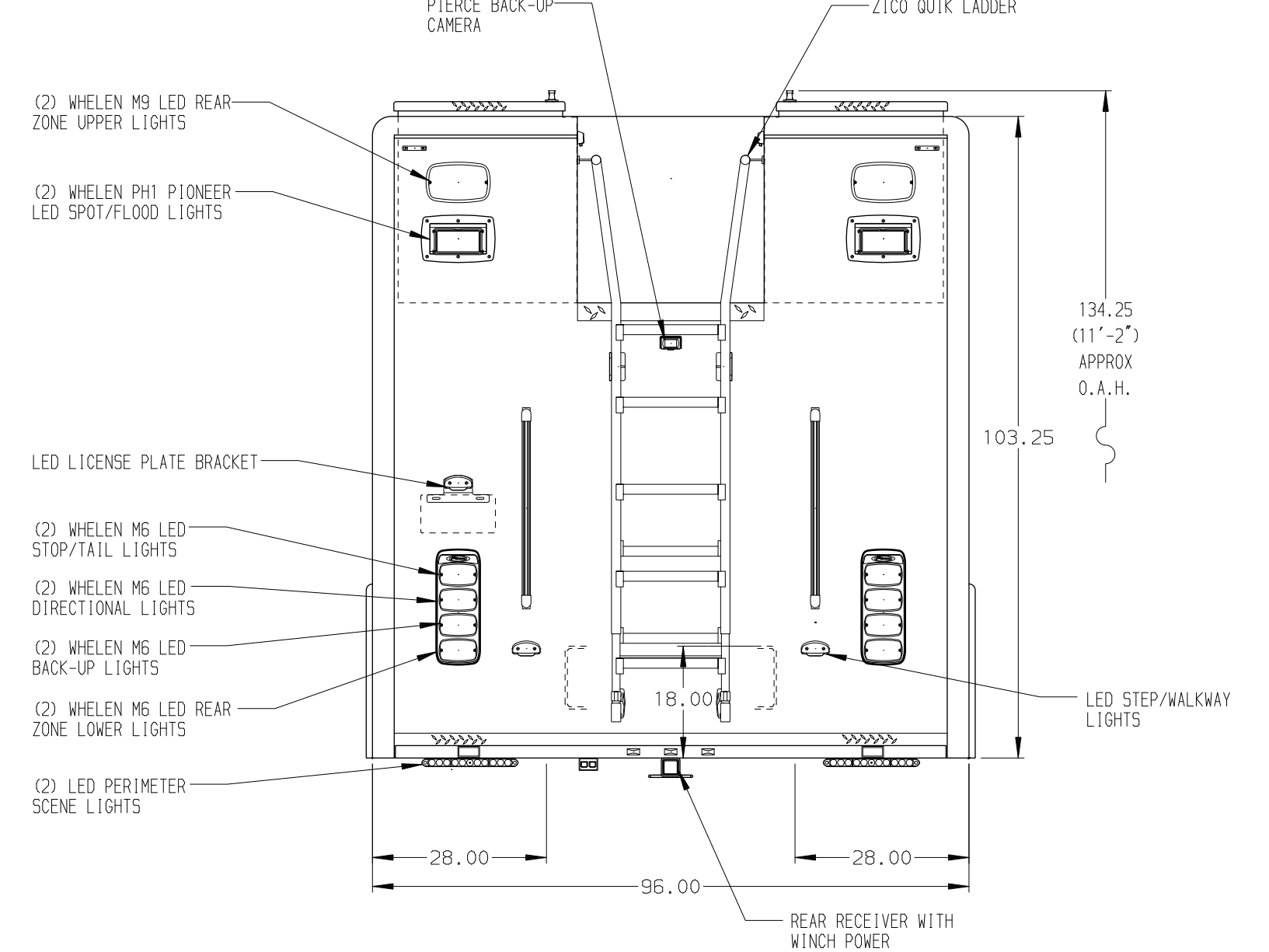
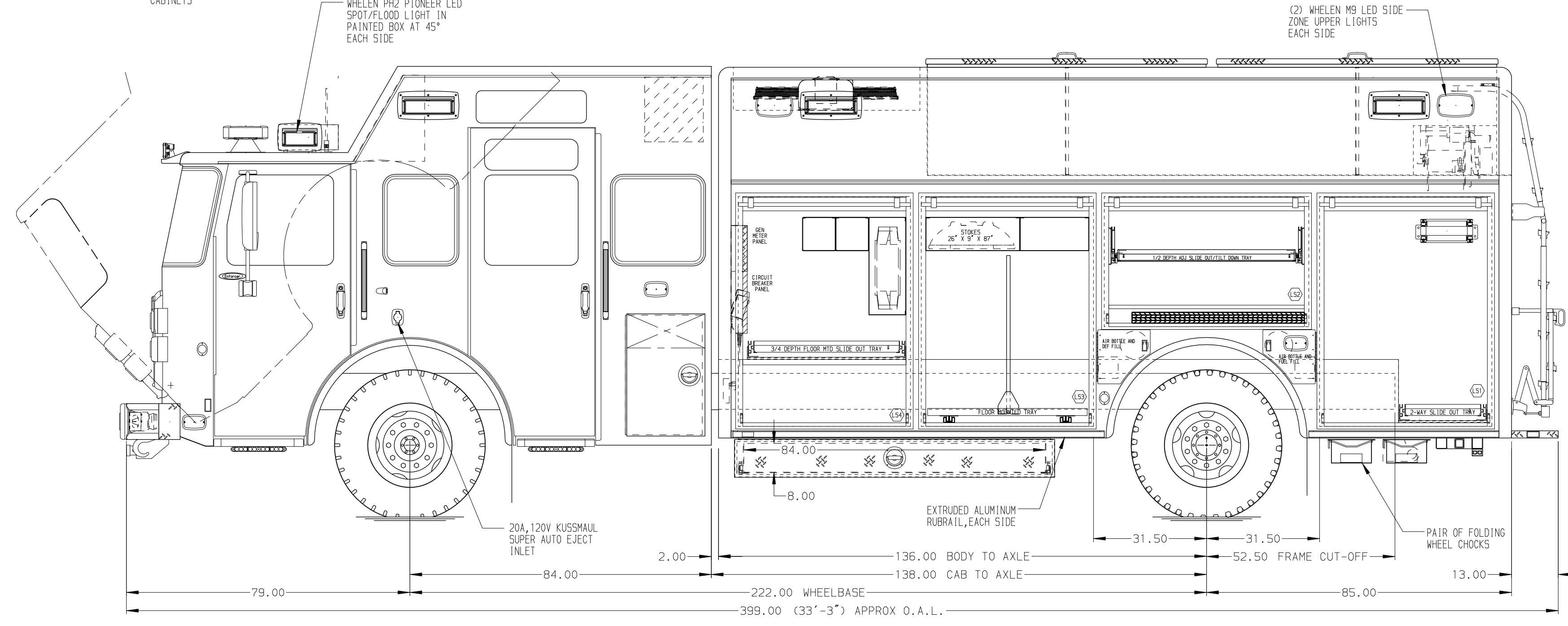
- (1) REINFORCED HORIZONTAL DIVIDER
- (1) RACK FOR PLYWOOD STORAGE
- (1) 1/2 DEPTH ADJ SLIDE OUT/TILT TRAY

COMPARTMENT LS3 CONTAINS:

- (1) STOKES BASKET RACK
- (1) MISC STORAGE RACK
- (1) FLOOR MOUNTED TRAY WITH 1/2 DEPTH "L"-SHAPED TOOLBOARD

COMPARTMENT LS4 CONTAINS:

- (1) KUSSMAIL BRAKE SYSTEM COMPRESSOR
- (1) KUSSMAIL 101A 75AMP CHARGER
- (1) CIRCUIT BREAKER PANEL
- (1) GENERATOR METER PANEL
- (1) NIGHT SCAN CONTROLLER
- (1) SUB FEED BOX
- (1) 3/4 DEPTH FLOOR MTD SLIDE OUT TRAY
- (1) HORIZONTAL FLOOR EXTENSION
- (1) RACK FOR 2 EXTINGUISHERS
- (1) RACK FOR STEP LADDER
- (1) CAB LIFT CONTROLLER



NOTE
DIMENSIONS SHOWN ARE APPROXIMATE AND ARE SUBJECT TO MINOR DEVIATIONS AS MAY OCCUR OR BE NECESSARY IN CONSTRUCTION. MINOR DETAILS NOT SHOWN.

- NOTES:**
- ONAN 15kW SINGLE PHASE PTO DRIVEN GENERATOR LOCATED BETWEEN THE FRAME RAILS
 - POLISHED S/S SCUFFPLATES ON CAB AND CREW CAB DOOR JAMBS
 - FLOOR IN CAB AND CREW CAB TO BE PADDED RUBBER
 - BATTERY CHARGE INDICATOR LOCATED ON DRIVER'S SEAT RISER
 - PULL-STRAPS ON ALL BODY ROLL-UP DOORS
 - PIERCE LED LIGHTS IN ALL BODY AND HATCH COMPARTMENTS
 - 15/20A, 120V DUPLEX RECEPTACLES LOCATED ON EACH SIDE OF THE ENGINE TUNNEL

FRONTAL IMPACT PROTECTION

CLEAR DOOR WIDTH KEY		CHASSIS DATA
AMDR ROLL UP DOORS:	-2 1/4"	MAKE
CURTLE ROLL UP DOORS:	-2 1/2"	PIERCE
PIERCE DOUBLE LIP DOORS:	-4 1/4"	MODEL
PIERCE LIFT-UP LAP DOORS:	-1 1/2"	EN8424
(EX: 60" F-F - 2 1/4" = 57 3/4" CLEAR)	(F-F) = FRAME TO FRAME	

Pierce MANUFACTURING INC.		JOB NO.	33819
		SCALE	DATE
		1:24	
		DRAWN BY	27JUN19
		DHE	
		CHECKED BY	08JUL19
		CDK	
		SHEET SIZE	SHEET NO.
		D	1 OF 1

TITLE: HEAVY DUTY RESCUE NON-WALKIN
FOR: BELMONT IA RESCUE BELMONT, IA
DWG NO.: 33819AD
ERIC FIBIKAR