

**RIGHT SIDE COMPARTMENTS CONTAIN THE FOLLOWING:**

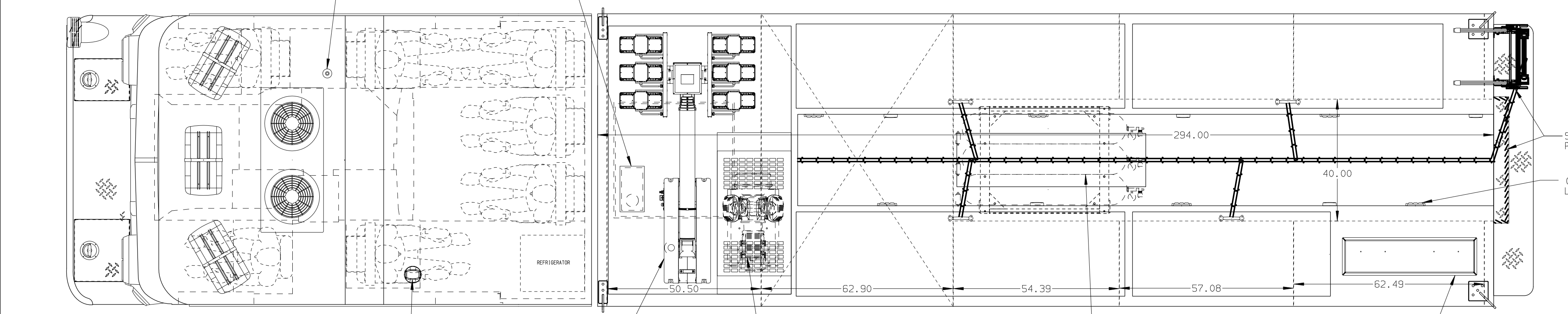
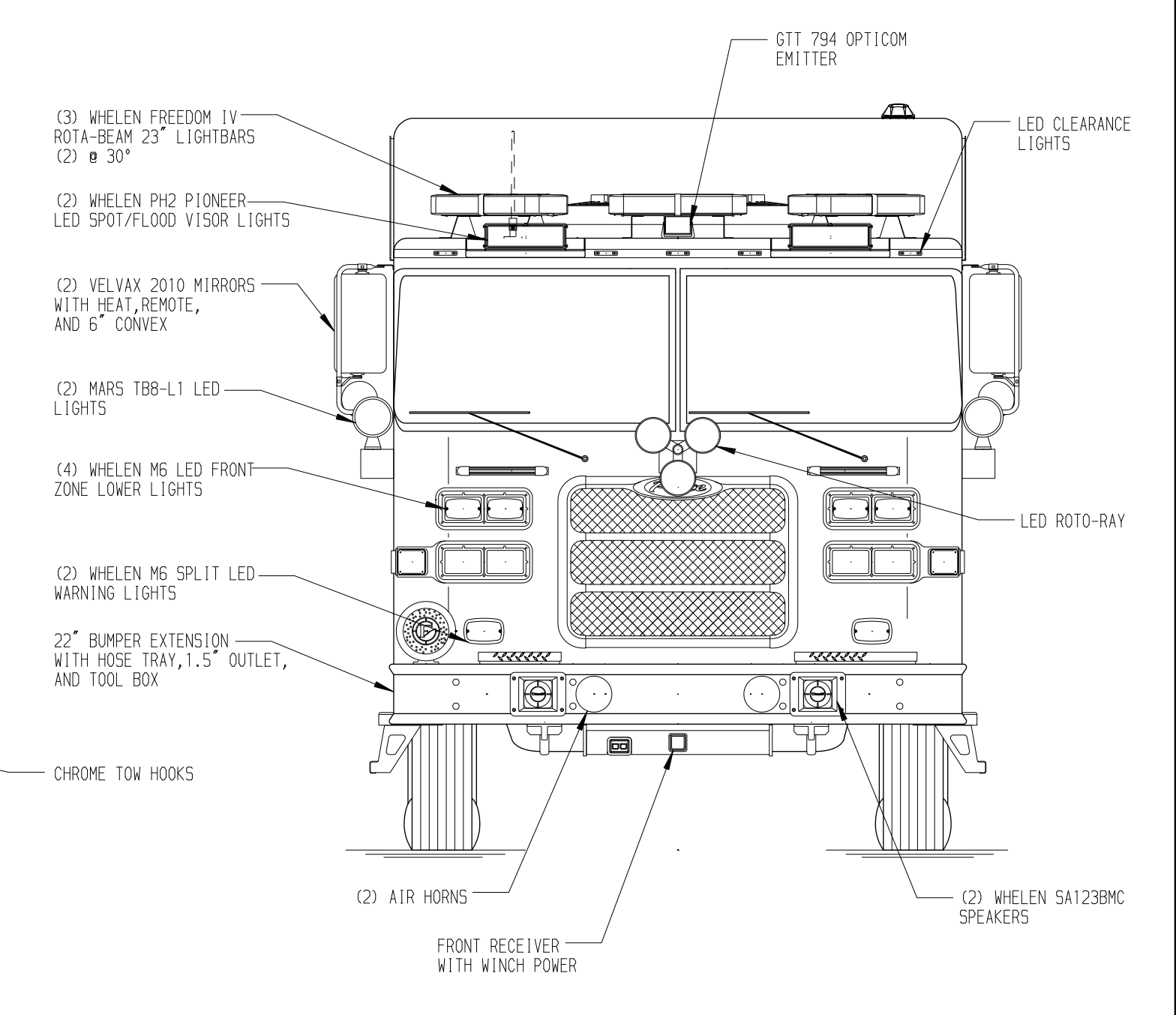
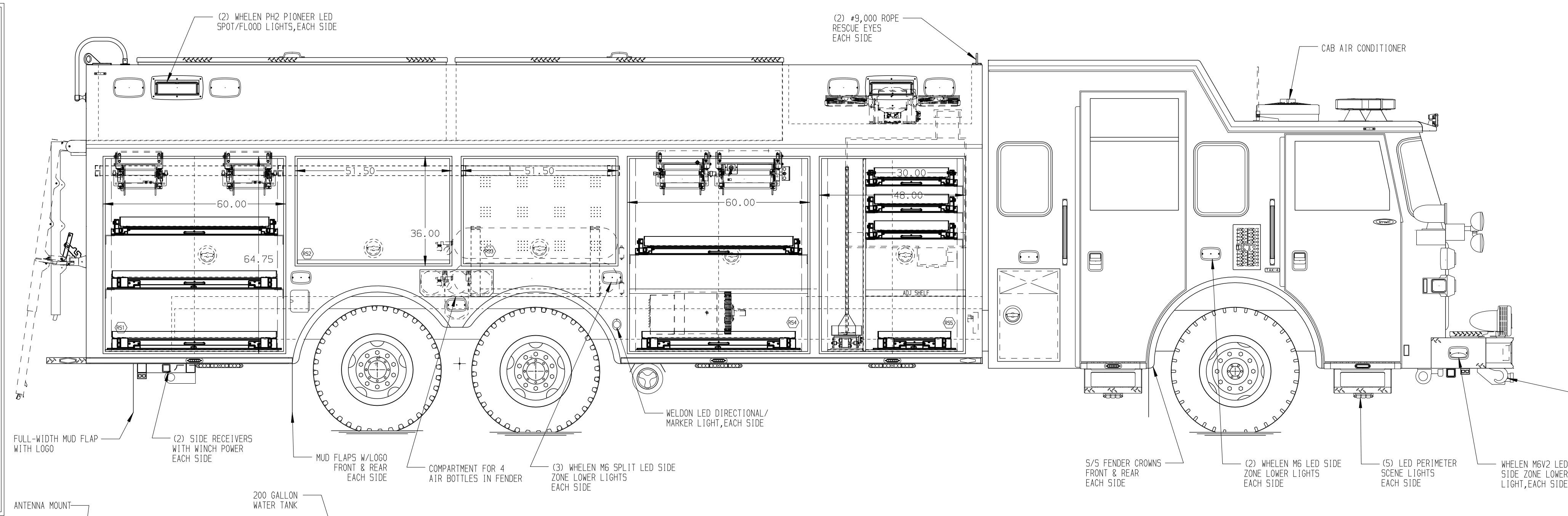
COMPARTMENT R51 CONTAINS:  
 - (1) #1000 ADJ ON-SCENE SLIDE OUT TRAY  
 - (1) STD DEPTH ON-SCENE SLIDE OUT/TILT TRAY  
 - (1) #600 FLOOR MTD ON SCENE SLIDE OUT TRAY  
 - (1) 15A, 120V 6-PLACE RECEPTACLE  
 - (2) HYDRAULIC REELS W/100' OF HOSE EACH

COMPARTMENT R52 CONTAINS:  
 - ANGLED FLOOR FOR CRIBBING

COMPARTMENT R53 CONTAINS:  
 - ALUMINUM PEGBOARD ON REAR WALL OF COMPARTMENT

COMPARTMENT R54 CONTAINS:  
 - (1) #600 FLOOR MTD ON SCENE SLIDE OUT TRAY  
 - (1) TOOL AIR REEL W/200' OF HOSE  
 - (1) ELECTRIC CORD REEL WITH 200' OF 10/4 YELLOW CORD  
 - (1) HALF DEPTH ON-SCENE SLIDE OUT/TILT TRAY  
 - (1) HORIZONTAL FLOOR EXTENSION

COMPARTMENT R55 CONTAINS:  
 - (1) CAB LIFT CONTROLLER  
 - (1) STD DEPTH ADJ SHELF  
 - (1) #600 FLOOR MTD ON SCENE SLIDE OUT TRAY  
 - (1) VERTICAL PEGBOARD DIVIDER  
 - (3) STD DEPTH ON-SCENE SLIDE OUT/TILT TRAY



**LEFT SIDE COMPARTMENTS CONTAIN THE FOLLOWING:**

COMPARTMENT L51 CONTAINS:  
 - (2) STD DEPTH SLIDE OUT TOOLBOARDS  
 - (1) 15A, 120V 6-PLACE RECEPTACLE

COMPARTMENT L52 CONTAINS:  
 - ANGLED FLOOR FOR CRIBBING

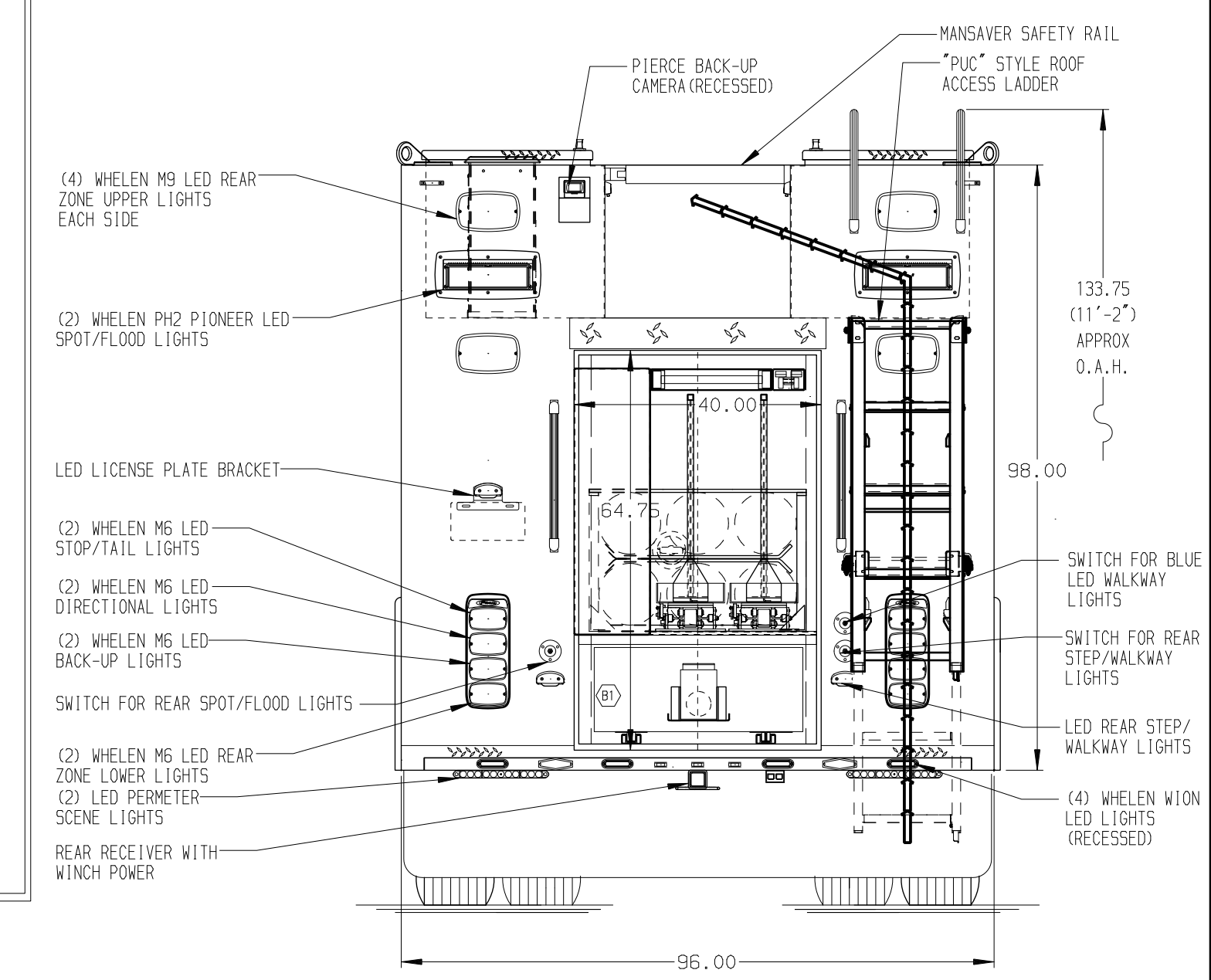
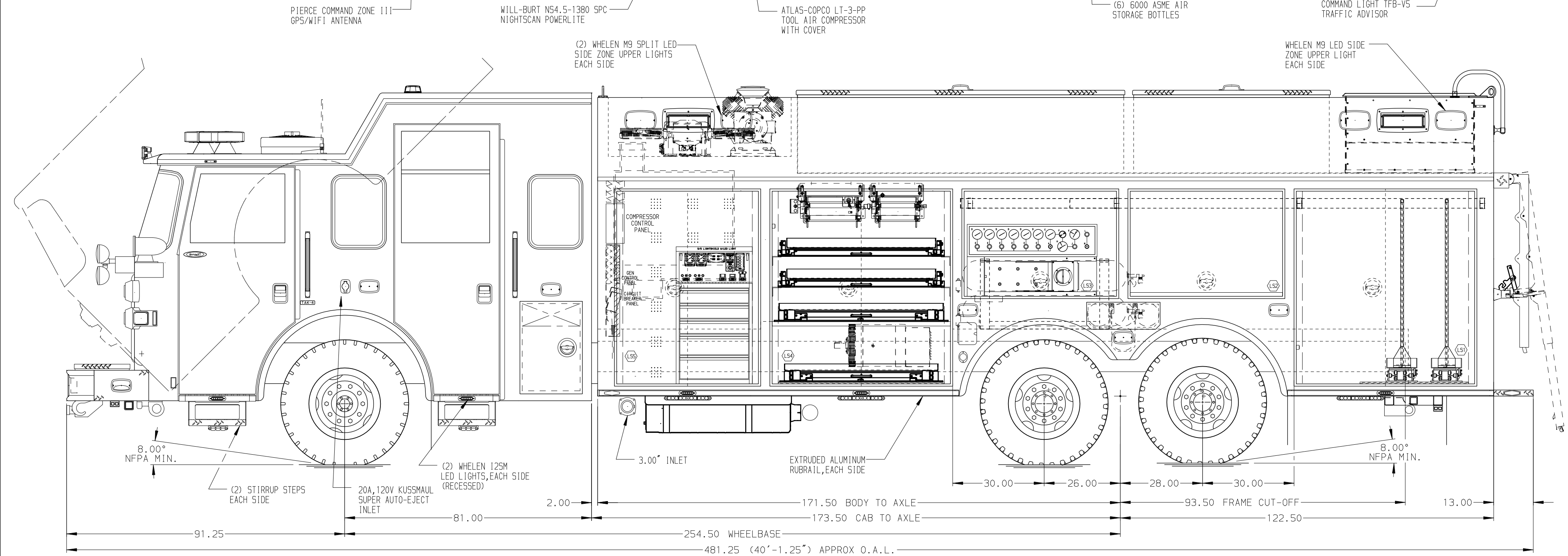
COMPARTMENT L53 CONTAINS:  
 - (1) "SPACESAVER" 2-BOTTLE FILL ENCLOSURE  
 - (1) CASCADE SYSTEM CONTROL PANEL

COMPARTMENT L54 CONTAINS:  
 - (1) #1000 ON-SCENE SLIDE OUT TRAY 46.00" D  
 - (2) HALF DEPTH ON-SCENE SLIDE OUT/TILT TRAY  
 - (1) #600 FLOOR MTD ON SCENE SLIDE OUT TRAY  
 - (1) TOOL AIR REEL W/200' OF HOSE  
 - (1) 15/20A, 120V DUPLEX RECEPTACLE  
 - (1) ELECTRIC CORD REEL WITH 200' OF 10/4 YELLOW CORD  
 - (1) HORIZONTAL FLOOR EXTENSION  
 - (1) 15A, 120V 6-PLACE RECEPTACLE

COMPARTMENT L55 CONTAINS:  
 - (1) KUSSMAUL PUMP PLUS 1200 CHARGER  
 - (1) COMPRESSOR CONTROL PANEL  
 - (1) CIRCUIT BREAKER PANEL  
 - (1) GENERATOR METER PANEL  
 - (1) 5-DRAWER C-TECH CABINET  
 - (1) NIGHTSCAN CONTROLLER  
 - ALUMINUM PEGBOARD ON REAR WALL OF COMPARTMENT

**REAR COMPARTMENT CONTAINS THE FOLLOWING:**

COMPARTMENT B1 CONTAINS:  
 - (1) RACK FOR THE FOLLOWING:  
 - (1) 14" ROOF LADDER  
 - (1) 10" FOLDING LADDER  
 - (1) HORIZONTAL FLOOR EXTENSION  
 - (1) SLIDE OUT OIL DRY HOPPER  
 - (2) ON-SCENE SLIDE OUT TOOLBOARDS



**NOTE**  
 DIMENSIONS SHOWN ARE APPROXIMATE AND ARE SUBJECT TO MINOR DEVIATIONS AS MAY OCCUR OR BE NECESSARY IN CONSTRUCTION. MINOR DETAILS NOT SHOWN.

**NOTES:**

- ONAN 25kW SINGLE PHASE PTO DRIVEN GENERATOR LOCATED BETWEEN THE FRAME RAILS
- WATEROUS CPK-2 250 GPM WATER PUMP
- POLISHED 5/5 SCUFFPLATES ON CAB AND CREW CAB DOOR JAMBS
- FLOOR IN CAB AND CREW CAB TO BE PADDED RUBBER
- BATTERY CHARGE INDICATOR LOCATED ON THE DRIVER'S SEAT WITH BRACKET
- POLISHED 5/5 SCUFFPLATES INSIDE ALL BODY DOORS
- PIERCE LED STRIP LIGHTS IN ALL BODY AND HATCH COMPARTMENTS
- NORCOLD 2.7 CU.F.T. REFRIGERATOR LOCATED IN THE CAB
- (2) 15/20A, 120V DUPLEX RECEPTACLES LOCATED IN THE CAB

**STAINLESS STEEL BODY**  
**SIDE ROLL AND FRONTAL IMPACT PROTECTION**

CLEAR DOOR WIDTH KEY		REV		DATE		BY		CH	
AMDR ROLL UP DOORS:	-2 1/4"	03JAN20	RCU	CDK	03JAN20	DHE	CDK	CHASSIS DATA	TITLE
GORLITE ROLL UP DOORS:	-2 1/2"	19DEC19	DHE	CDK	12NOV19	DHE	CDK	MAKE	FOR
PIERCE DOUBLE LAP DOORS:	-4 1/4"	05NOV19	RCU	JJF	24JUL19	DHE	CDK	MODEL	DWG NO.
PIERCE LEFT-UP LAP DOORS:	-1 1/2"							AX8120	

**Pierce MANUFACTURING INC.**

JOB NO. 33827

SCALE 1:24 DATE

DRAWN BY DHE 09JUL19

CHECKED BY CDK 12JUL19

SHEET SIZE D SHEET NO. 1 OF 1

TITLE HEAVY DUTY RESCUE NON-WALKIN

FOR KENT ISLAND FIRE COMPANY KENT ISLAND

BRIAN BASHISTA

DWG NO. 33827AD