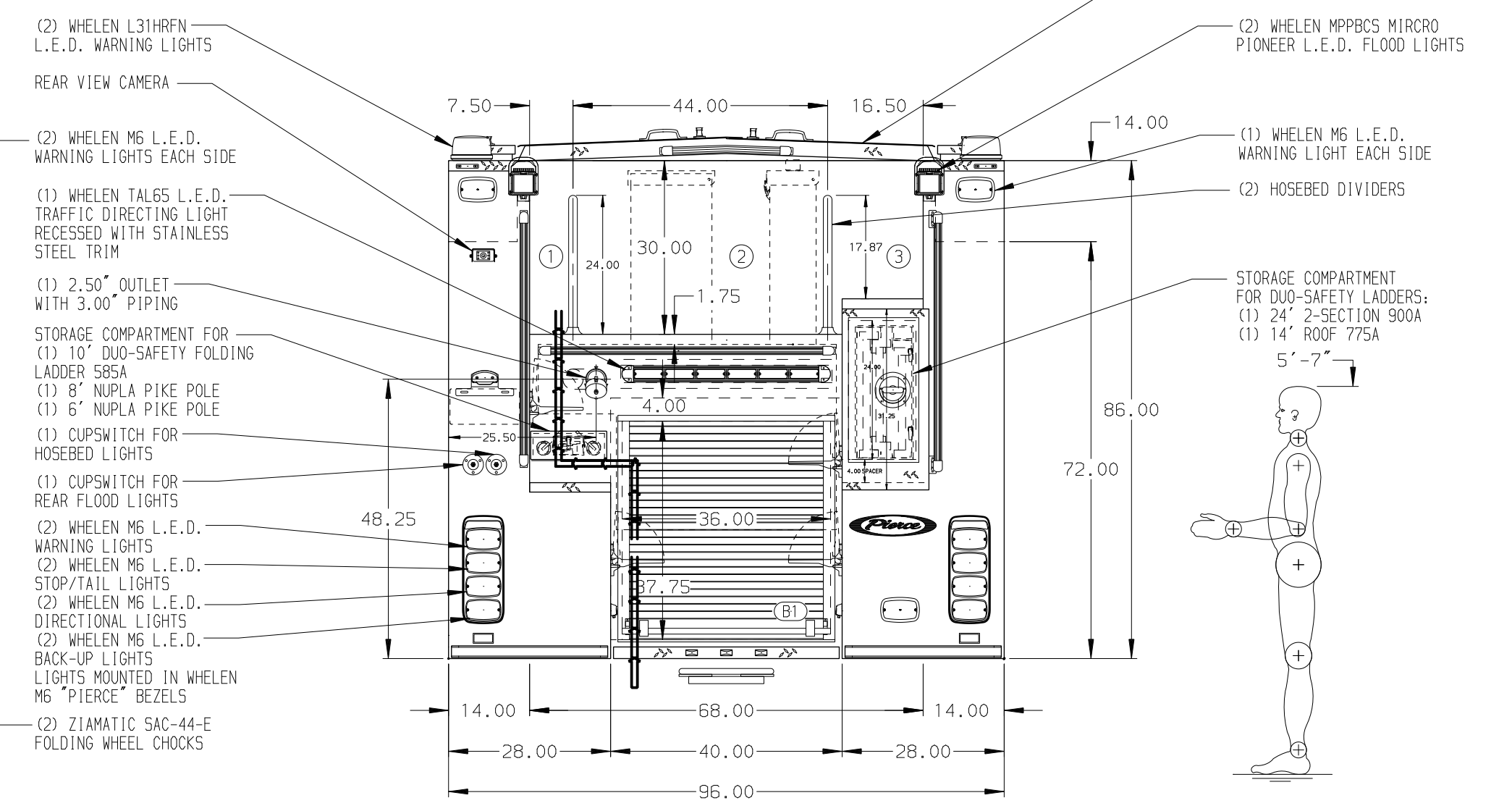
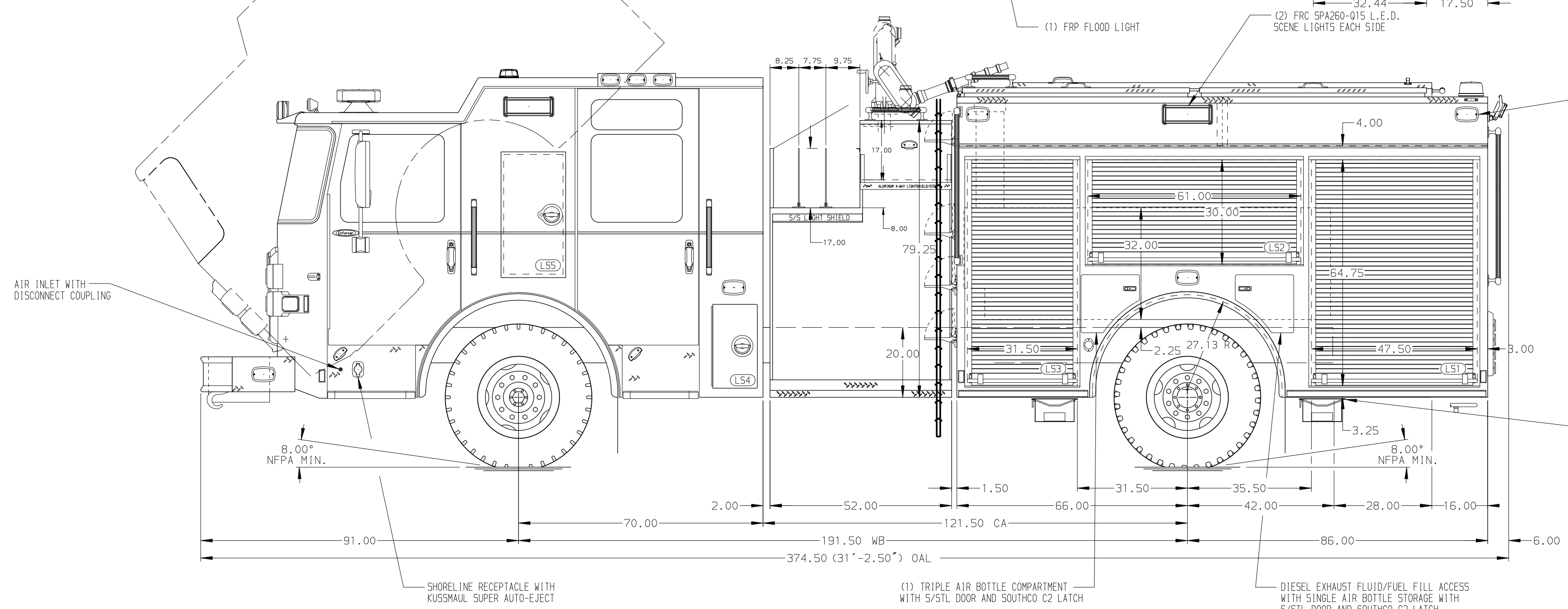


- HOSEBED CAPACITIES
- ① 400' OF 1.75" D.J. POLY HOSE
 - ② 1200' OF 5.00" D.J. POLY HOSE
 - ③ 600' OF 2.50" D.J. POLY HOSE



ALUMINUM BODY

SIDE ROLL AND FRONTAL IMPACT PROTECTION

NOTE
DIMENSIONS SHOWN ARE APPROXIMATE AND ARE SUBJECT TO MINOR DEVIATIONS AS MAY OCCUR OR BE NECESSARY IN CONSTRUCTION. MINOR DETAILS NOT SHOWN.

1. BATTERY CHARGER LOCATED IN COMPARTMENT LS3
2. BATTERY CHARGE INDICATOR LOCATED ON DRIVER'S SEAT RISER
3. ONE ADJUSTABLE SHELF LOCATED IN COMPARTMENTS LS3 & B1; TWO IN LS1, RS1 & RS3
4. ALUMINUM PEGBOARD LOCATED ON THE REAR WALL OF COMPARTMENTS LS2 & RS2
5. PARTITION BETWEEN COMPARTMENTS LS1/B1 AND RS1/B1
6. HERCULES 200 CFM COMPRESSED AIR FOAM SYSTEM
7. ONE SWING-OUT TOOLBOARD LOCATED IN COMPARTMENT RS2
8. ONE FULL WIDTH/DEPTH FLOOR MOUNTED SLIDE-OUT TRAY IN COMPARTMENT LS1

REV	DATE	BY	CH	ENFORCER
27	JUN19	MTM	KW1	MAKE
31	MAY19	AMI	LPA	PIERCE
18	APR19	AMI	SMA	MODEL

		JOB NO.	33828
		SCALE	1:24
MANUFACTURING INC.		TITLE	1500-D-500 GAL POLY W/20 GAL FOAM CELL, 152" FDLER (2) XLAYS, (1) DEADLAY, DELUGE, LADDERS BESIDE TANK
		FOR	EL PASO FIRE DEPARTMENT EL PASO, TEXAS
DWG NO. 33828AD		DRAWN BY	AMI 10APR19
		CHECKED BY	SMA 11APR19
SHEET NO. D		SHEET SIZE	1 OF 1