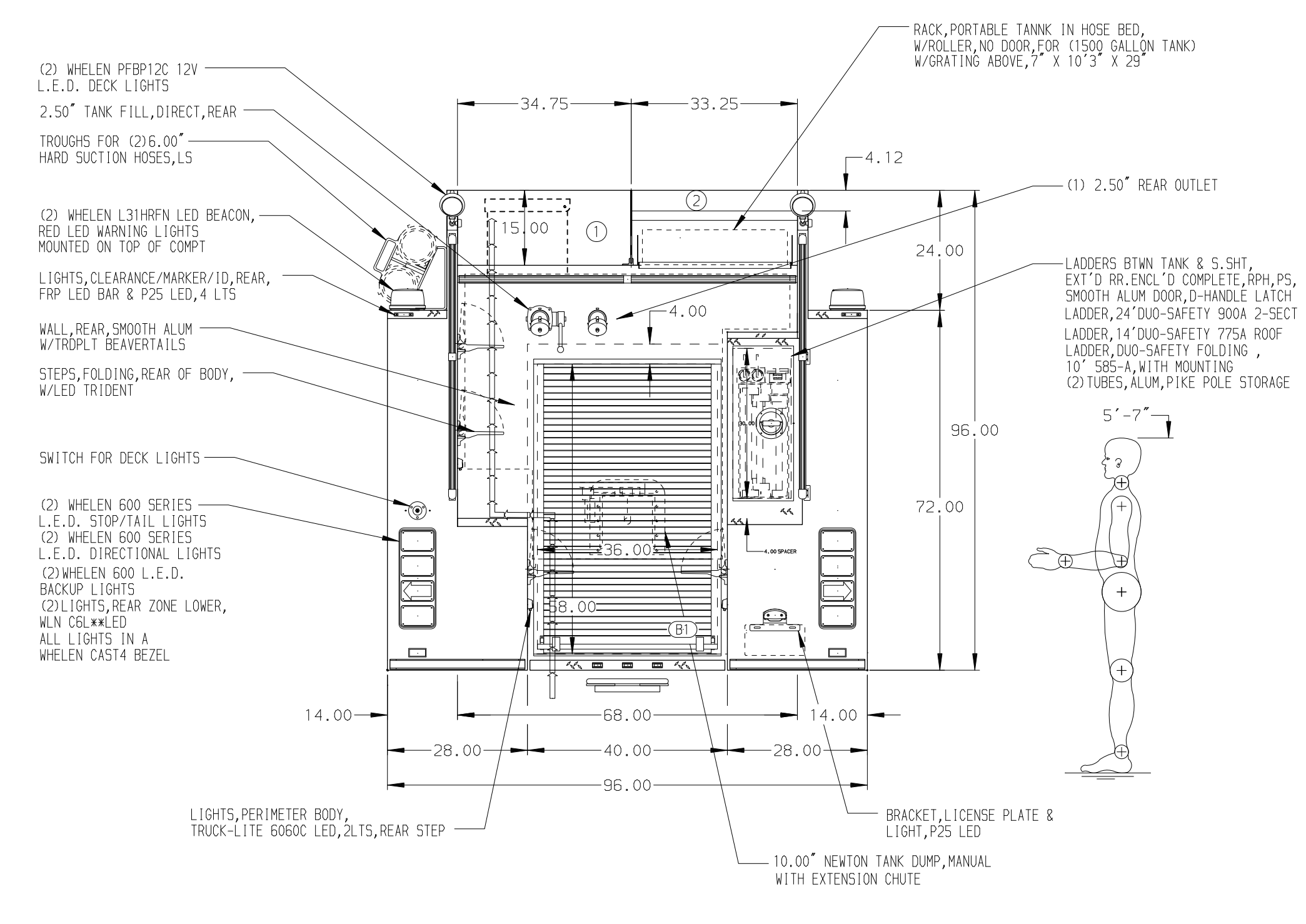
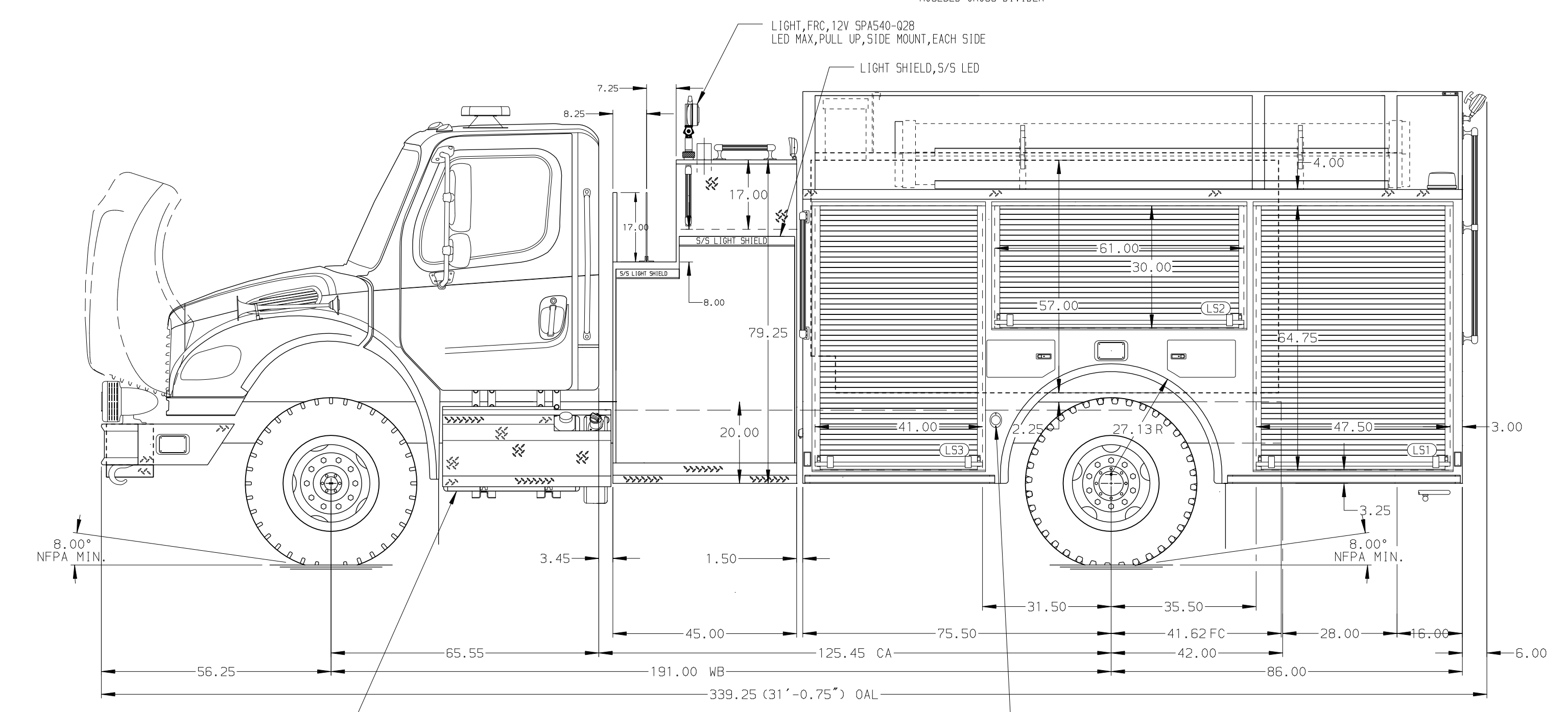


- HOSEBED CAPACITIES
- ① 750' OF 5.00" D.J. POLY HOSE
  - ② 250' OF 2.50" D.J. POLY HOSE



ALUMINUM BODY

MAXIMUM O.A.H. 120"

NOTE  
DIMENSIONS SHOWN ARE APPROXIMATE AND ARE SUBJECT TO MINOR DEVIATIONS AS MAY OCCUR OR BE NECESSARY IN CONSTRUCTION. MINOR DETAILS NOT SHOWN.

FUEL TANK, 50 GALLON, LEFT SIDE, ALUM  
DEF TANK, LEFT SIDE  
STEP PACKAGE, DELUXE,  
W/DEF TANK COVER,  
ALUM 4-WAY, M2, 2DR



JOB NO.	33832
SCALE	1:24
DATE	
DRAWN BY	CRH
CHECKED BY	RWI
SHEET SIZE	D
SHEET NO.	1 OF 1

REV	DATE	BY	CH	CHASSIS DATA	TITLE	FOR	DWG NO.
				M2-106	1250-D-1250 WATER, 161" BDY, LS/RS FULL HGT FOLDR 45" SIDE MOUNT, (2) 1.5" CROSSLAYS, LOWERED	BRADFORD TN FIRE DEPARTMENT BRADFORD, TENNESSEE	33832AD
070CT19		CRH	GSC	MAKE			
26SEP19		JAF	GSC	FL			
24JUL19		RWI	JAF	MODEL			